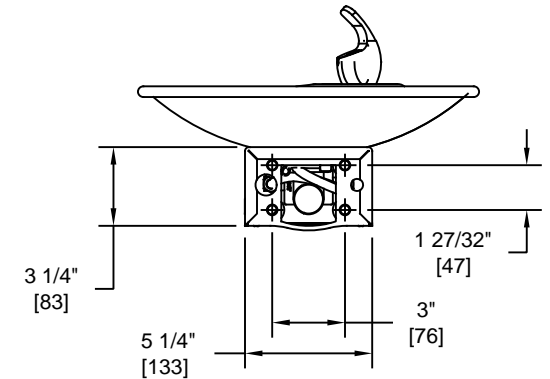
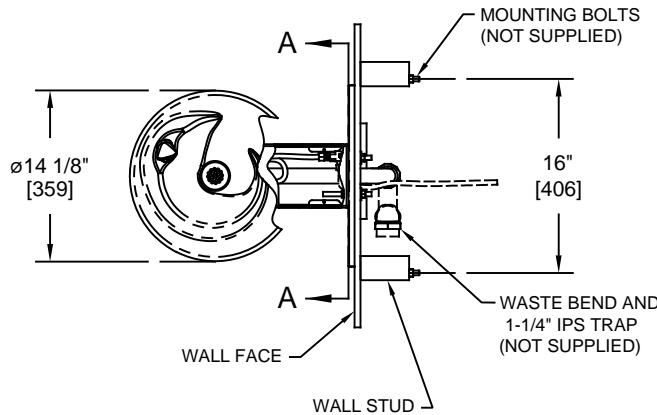
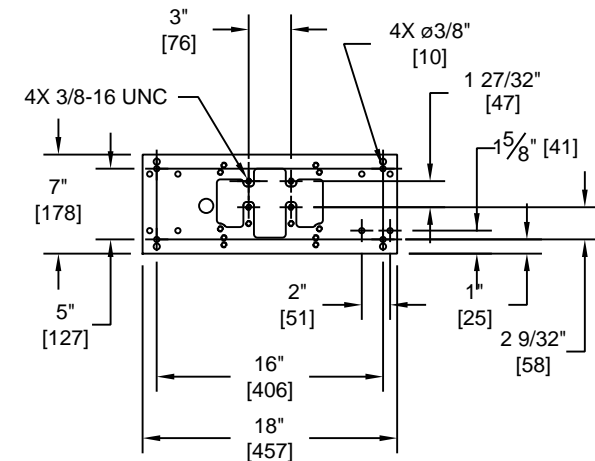
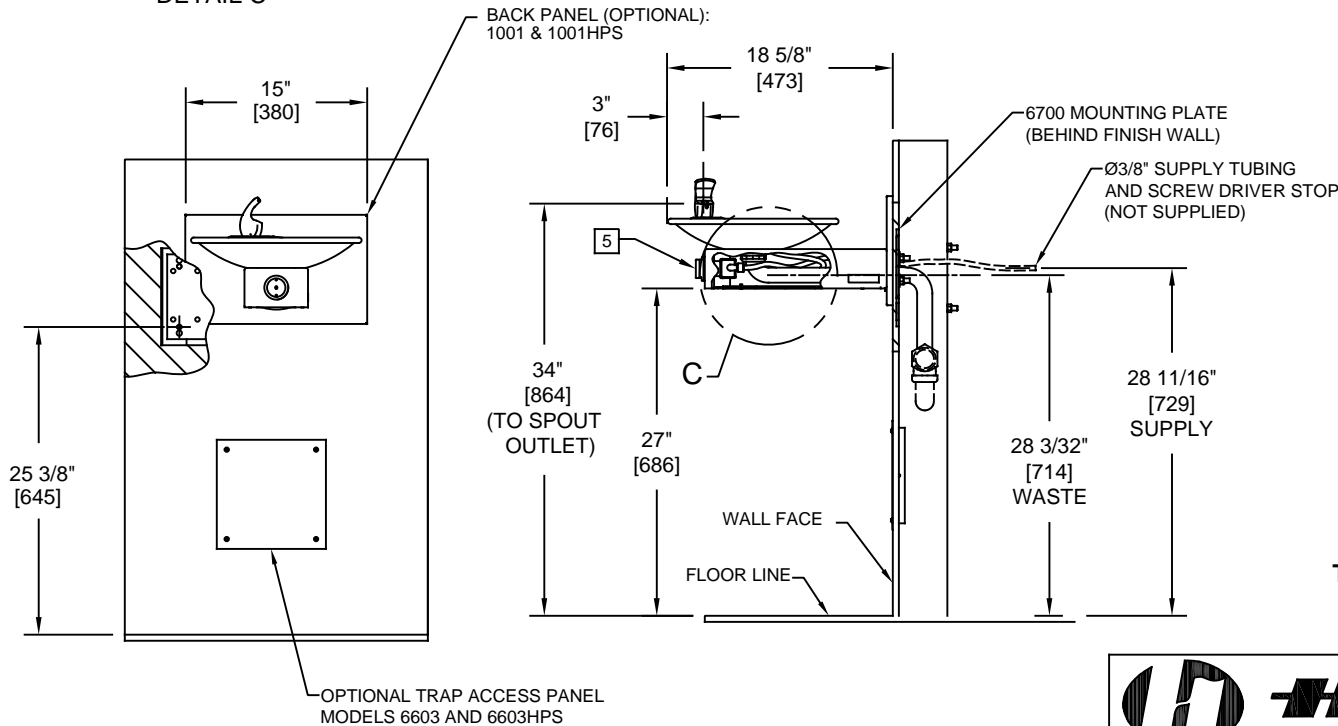
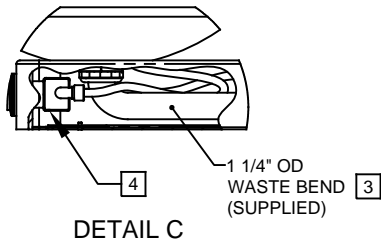


NOTES:

1. HOLD ROUGH-IN DIMENSIONS $\pm 1/8"$ (3.2mm).
2. WHEN INSTALLING THIS UNIT, LOCAL, STATE, OR FEDERAL CODES SHOULD BE ADHERED TO FOR INSTALLATION DIMENSIONS (LOCATIONS), WASTE AND SUPPLY REQUIREMENTS OTHER THAN SHOWN.
3. INSTALLER MUST PROVIDE TRAP FOR PROPER INSTALLATION.
4. REMOVE VALVE FROM PUSH BUTTON TO INSTALL WASTE ELBOW ONTO BOWL. AFTER WASTE ELBOW IS INSTALLED, REINSTALL VALVE AND ADJUST FLOW.
5. REFER TO 5874 SERIES OPERATION AND MAINTENANCE MANUAL FOR PUSH BUTTON AND VALVE INSTALLATION/MAINTENANCE INSTRUCTIONS.



SECTION A-A
ROTATED 90° INTO VIEW
BRACKET MOUNTING
DETAIL



**6700 MOUNTING PLATE
MUST BE INSTALLED BEFORE FINISH WORK
THIS PLATE IS REQUIRED - SOLD SEPARATELY.**

1455 KLEPPE LANE
SPARKS, NEVADA 89431
(775) 359-4712 FAX (775) 359-7424
E-MAIL: HAWS@HAWSCO.COM
WEBSITE: WWW.HAWSCO.COM

ECN NO.	REVISED PER	BY:	MODEL(S)	PART NUMBER
	ECN: 5527	FV	1001/1001HPS	0002076304.D
DRAWN:	DATE:	CHKD.:		REVISION
RTM	05/97	DP		21
APPROVED:	DATE:		SCALE: 1:1	DRAWING TYPE: INSTALLATION
FV	04/02/20			SIZE: A SHEET 1 OF 1