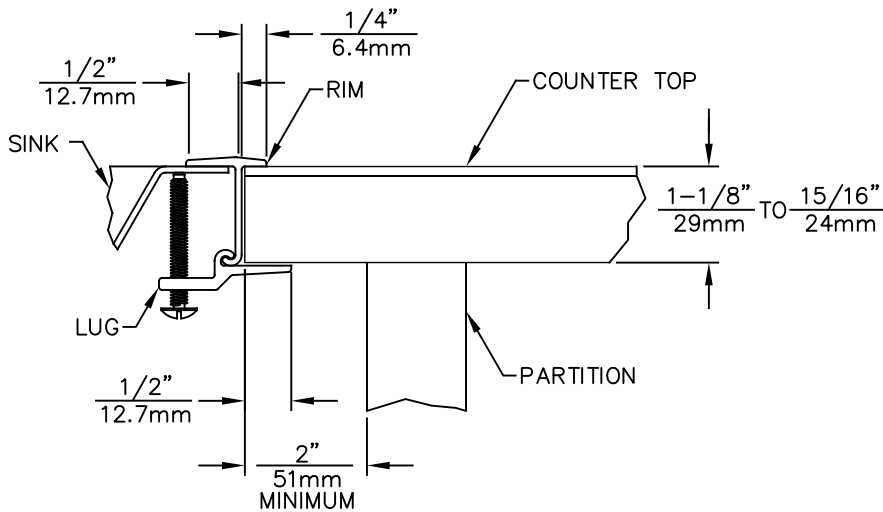
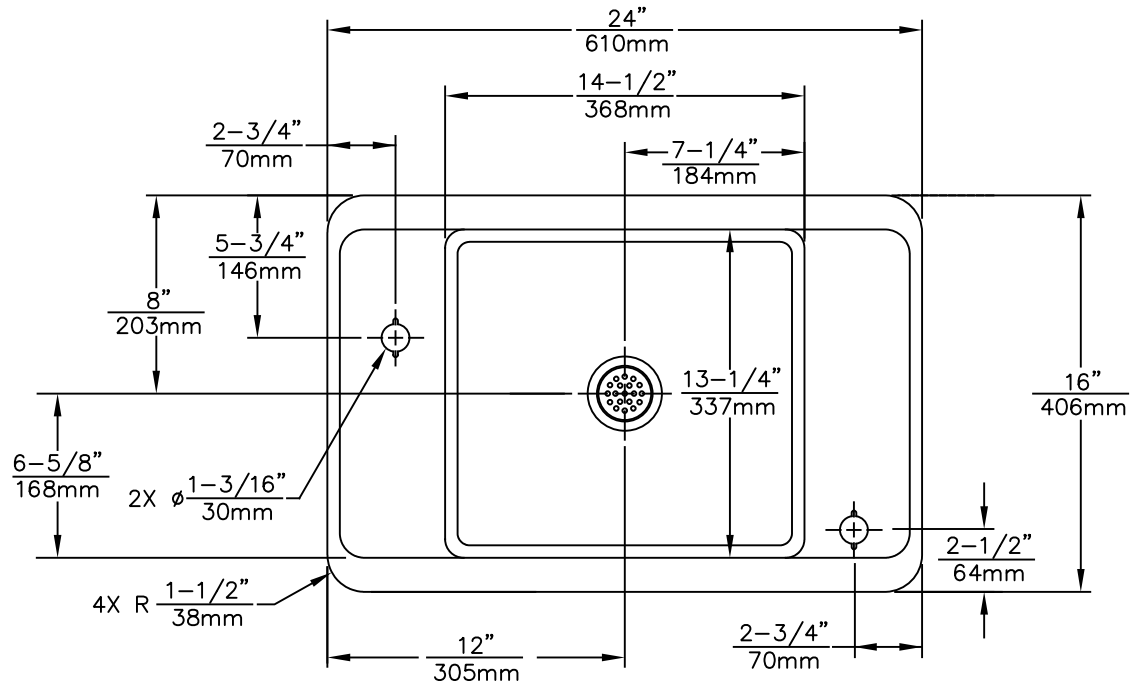


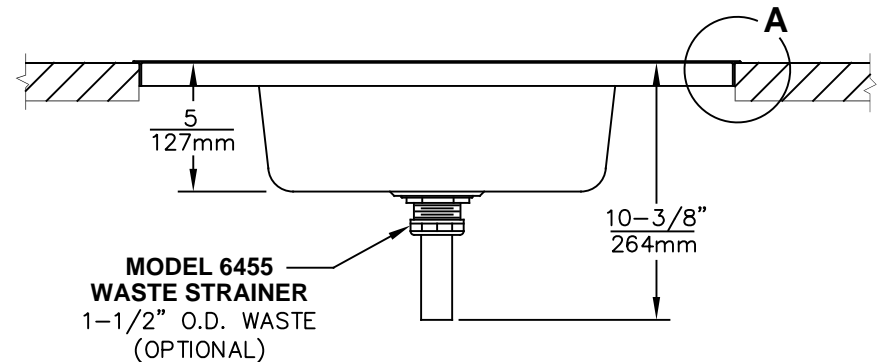
**NOTES:**

DO NOT CUT HOLES IN COUNTER TOP UNTIL SINK IS AT HAND. SINKS HANG INSIDE COUNTER-TOP CUTOUT; THEY DO NOT OVERLAP EDGE. IN MARKING CUTOUT ON COUNTER, THE MOUNTING RIM IS USED AS THE TEMPLATE, NOT THE SINK. RIM MUST FIT LOOSELY IN THE HOLE, OVERLAPPING BOTH COUNTER AND SINK (SEE VIEW A). CUTOUT SHOULD BE 3/8" (9.5mm) LARGER THAN SINK, ALLOWING A MINIMUM CLEARANCE OF 1/16" (1.6mm) ALL AROUND.

**CAUTION:** VERTICAL PARTITIONS UNDER SINK MUST BE AT LEAST 2" (51mm) AWAY FROM SINK CUTOUT TO ALLOW FOR INSTALLATION OF LUGS TO THE MOUNTING RIM.



**VIEW A**  
SCALE: 1/1



**4110ADA**



1455 KLEPPE LANE  
SPARKS, NEVADA 89431  
(775) 359-4712 FAX (775) 359-7424  
E-MAIL: HAWS@HAWSO.COM  
WEBSITE: WWW.HAWSO.COM

ECN NO.	REVISED PER	BY:	MODEL(S)	PART NUMBER
	ECN: 5282	JP		0002077481
DRAWN:	DATE:	CHKD.:	4110ADA	REVISION
C HAYES	06/95	VWG		6
APPROVED:	DATE:	SCALE:	DRAWING TYPE:	INSTALLATION
FV	03/12/18	1:8		SIZE: A SHEET 1 OF 1