

URINAL FIXTURE - 7630 & 7635

Item: _____



Unit may be pictured with some optional features.

- 7630** Back supply connection 3/4" (19mm) MIPT.
- 7635** Top supply connection 3/4" (19mm) MIPT.

STANDARD FEATURES

- Front mounted fixture, Wall outlet waste, Washdown urinal
- High volume beehive style strainer.
- 1 1/2" (38mm) OD P-trap for slip-joint connection.
- Vandal resistant stainless steel trap enclosure.
- Integral mounting tabs for exposed anchoring.
- **Hardware-**
 - 3/8" (10mm) chrome plated vandal resistant cap nuts (4).
 - 3/8" (10mm) steel studs for anchoring fixture to wall.



WARNING: Cancer and Reproductive Harm
- www.P65Warnings.ca.gov.

► DESCRIPTION

This Urinal Fixture is designed for areas without an accessible pipe chase. The fixtures are fabricated using heavy gauge type 304 stainless steel, welded to form a vandal resistant unit. Exposed surfaces are polished to a satin finish. Integral flushing rim provides a full sanitary washdown.

► PERFORMANCE STANDARDS

This fixture meets or exceeds ASME A112.19.3 / CSA B45.4 standards for "Stainless Steel Plumbing Fixtures".

Listed by





► INSTALLATION

Flush supply and waste piping must be roughed-in to the wall locations provided on drawings. Wall anchors (supplied by others) are installed in the wall at locations shown on rough-in drawings. Concealed flush valve requires access for future flush valve service. Urinal is secured to the wall using studs and cap nuts. P-trap waste is connected to waste pipe and trap enclosure is installed with stainless steel vandal resistant screws.

Water Consumption:

With HEU consumption flush valve - .5 gpf (1.9 liters)

RECOMMENDED FLUSH VALVES

	SLOAN	ZURN	DELANY
Concealed	613	Z6613	F576
Exposed	186	Z6614	F575
 Concealed	995-MBFW	ZH6195-MBFW	1271
 Exposed	186	Z6003	451

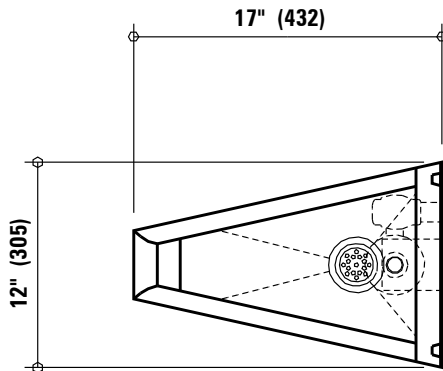
NOTE: Plan for service access to concealed flush valves.

OPTIONS/ACCESSORIES

- A168** Metal Template for Wall Openings.
- PCC** Powder Coat - Anti-microbial White.
- A245** Flush valve thru wall connector $\frac{3}{4}$ " MIPT.
Wall Thickness: _____
- A610** Flush Valve Access Panel. Not available on 7635.
- A615** Flush Valve Cover. Not available on 7630.
- ADA** ADA Mounting height - 17" Rim Height.
* Dimensions lowered 5" for ADA.

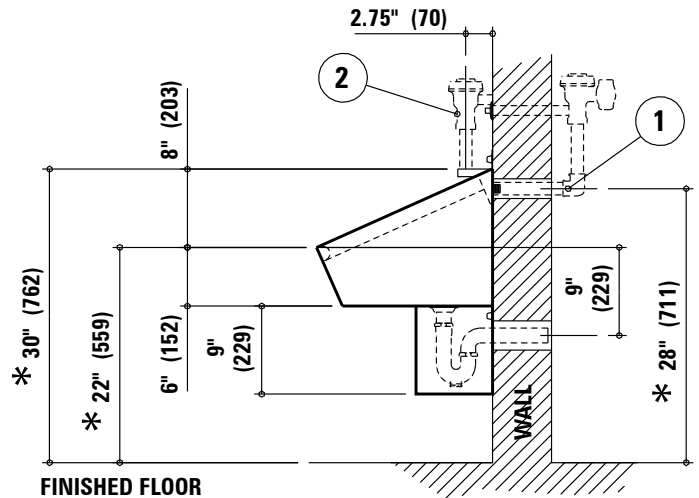
URINAL FIXTURE - 7630 & 7635

Item: _____



Notes:
 1 - Back Supply (7630)
 2 - Top Supply (7635)
 * See ADA Option

Due to continuous product improvement Metcraft reserves the right to make changes in design and specifications without prior notice. All dimensions should be verified with the factory for current information.



APPROVED FOR MANUFACTURING	Company: _____	Name: _____
	Signature: _____	Date: _____