

NOTE:
 REBUILD KIT #800103 CONTAINS THE FOLLOWING:
 (2) 600768
 (1) 800294
 (1) 800295
 (1) 800298
 (1) 800299

ITEM #	PART #	DESCRIPTION	QTY.
1	800290	SOAP PUMP BASE, GEN II	1
2	800294	RUBBER FLAPPER VALVE, SOAP PUMP	1
3	800295	SOAP PUMP SPRING SEAT	1
4	800298	SOAP PUMP PISTON SPRING	1
5	800291	SOAP PUMP PISTON, GEN II	1
6	800299	O-RING (2-012) PISTON	1
7	600768	O-RING (#019)	2
8	800292	SOAP PUMP BODY, GEN II	1
9	800293	SOAP PUMP PLUNGER, GEN II	1
10	800128	SCREW #8-32 x 3/16" SCKT SET S/S	1
11	600234	SPRING FOR CHECKSTOP	1
12	800289	BUMPER-SOAP PUMP CHECK VALVE	1



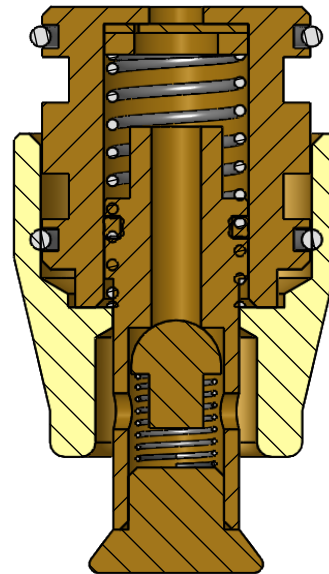
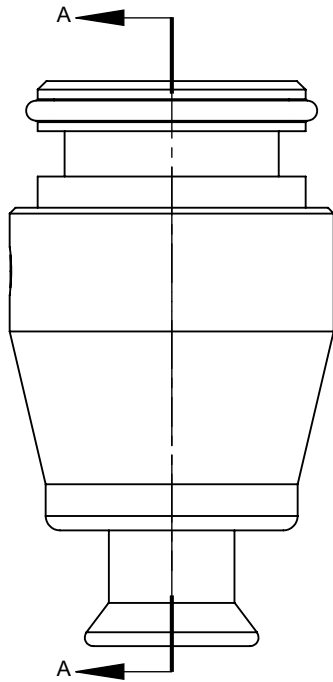
Willoughby Industries, Inc.
 Indianapolis, Indiana

TOLERANCES EXCEPT AS NOTED
 2 PLCS: ±0.03
 3 PLCS: ±0.015
 FRACTIONS: ±1/32"
 ANGLE: ±1°

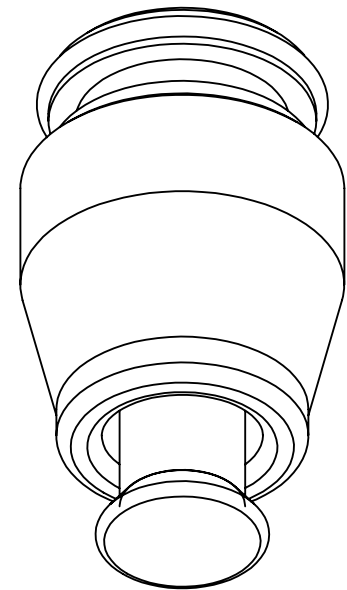
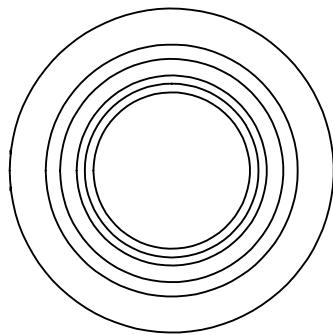
SIZE: A
 SCALE: 1:1.5


TITLE / DESC.: SOAP PUMP, GEN II
 MATL: N/A
 REF.:

REVISION: C
 ORIG.: JR 12/1/03
 REV.: BC 12/21/12
 PART #: 800270B
 STANDARD SHEET: 1 OF 2



SECTION A-A



 WILLOUGHBY	Willoughby Industries, Inc. Indianapolis, Indiana		TITLE / DESC.: SOAP PUMP, GEN II				PART #: 800270B	
	TOLERANCES EXCEPT AS NOTED		2 PLCS: ± 0.03 3 PLCS: ± 0.015 FRACTIONS: $\pm 1/32$ " ANGLE: $\pm 1^\circ$	SIZE: A	MATL: N/A	SCALE: 1.5:1	REF.:	REVISION: C ORIG.: JR 12/1/03 REV.: BC 12/21/12