



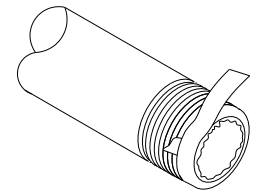
HYDRANTS

INSTALLATION/MAINTENANCE INSTRUCTIONS

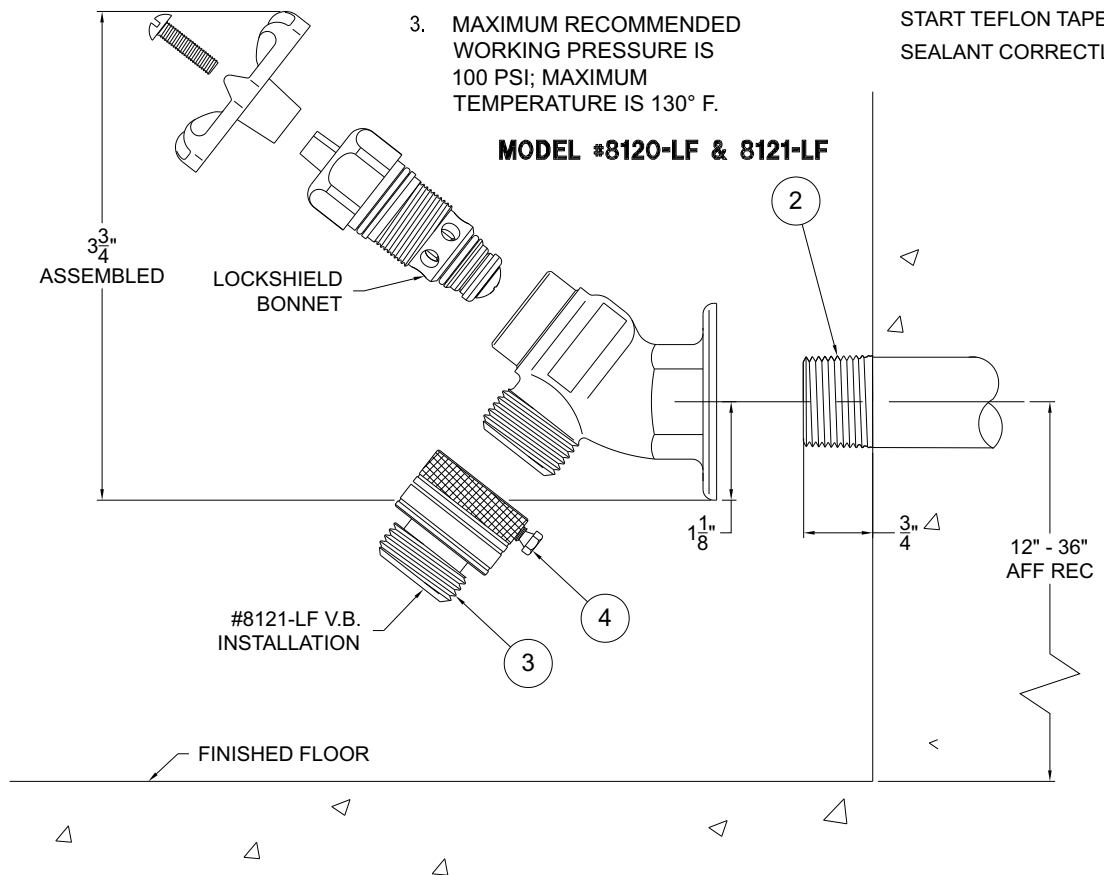
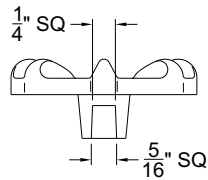
INSTALLATION INSTRUCTIONS FOR HOSE BIBB 8120-LF

NOTES:

1. CONSULT LOCAL CODES FOR VACUUM BREAKER REQUIREMENTS.
2. UNIT IS NOT INTENDED FOR INSTALLATION IN AREAS THAT ARE SUBJECT TO FREEZING.
3. MAXIMUM RECOMMENDED WORKING PRESSURE IS 100 PSI; MAXIMUM TEMPERATURE IS 130° F.



START TEFLON TAPE SEALANT CORRECTLY



INSTALLATION INSTRUCTIONS:

- A- ROUGH-IN FOR ① 3/4" FEMALE INLET. MAINTAIN RECOMMENDED MINIMUM LENGTH ABOVE GROUND. REFER TO LOCAL CODES.
- B- THOROUGHLY FLUSH SUPPLY STUB OUT ② PRIOR TO MAKING UP CONNECTIONS. SEAL THREAD END OF STUB OUT WITH TEFLON OR OTHER SEALING COMPOUND.
- C- THREAD HOSE BIB ① TO SUPPLY STUB OUT ② UNTIL HAND TIGHT, THEN WITH AN APPROPRIATE WRENCH, TURN TO DESIRED ORIENTATION AND CHECK FOR LEAKS.
- D- FOR 8121-LF: THREAD VACUUM BREAKER ③ TO HOSE BIB. TIGHTEN SET SCREW ④ AS REQUIRED.

Please visit www.murdock.com for most current specifications.

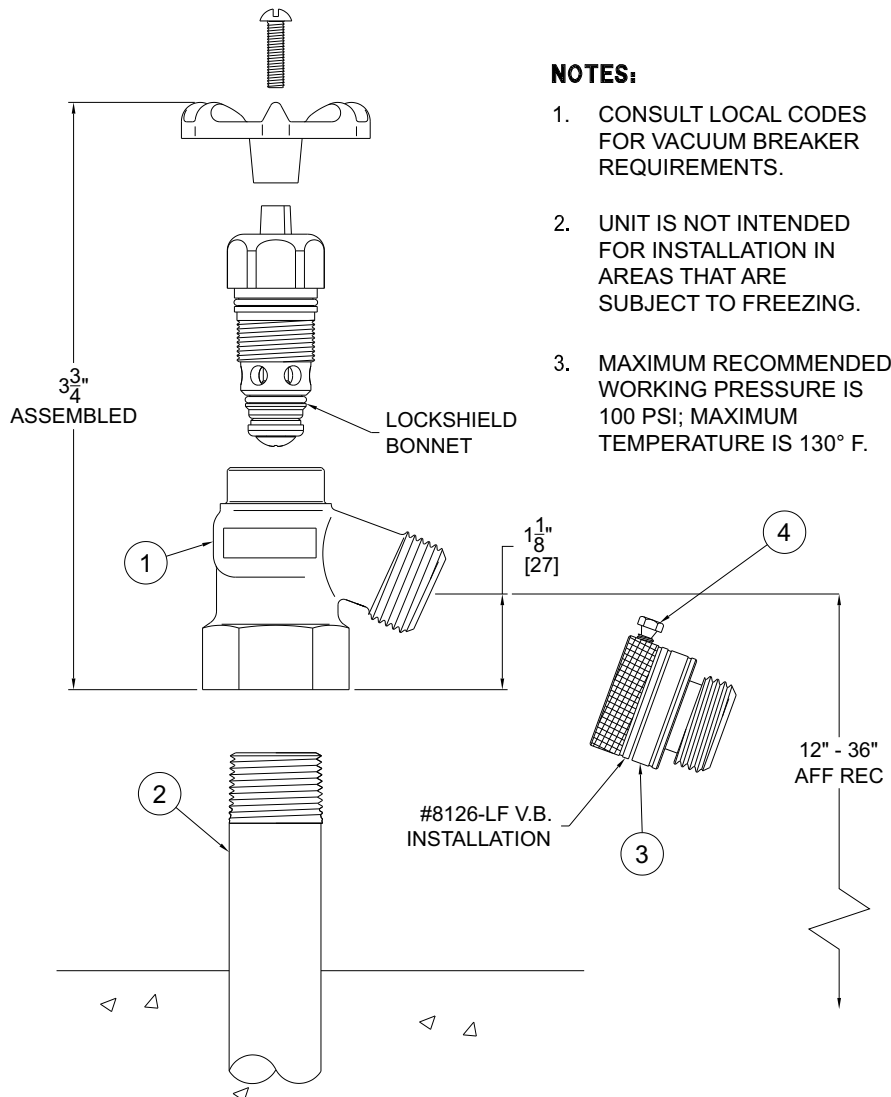


HYDRANTS

INSTALLATION/MAINTENANCE INSTRUCTIONS

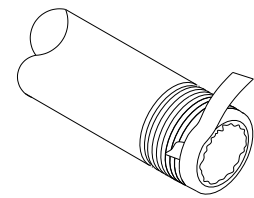
INSTALLATION INSTRUCTIONS FOR HOSE BIBB 8125-LF

Model #8125-LF & 8126-LF

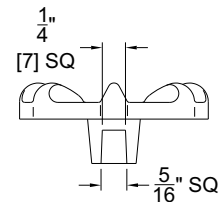


NOTES:

1. CONSULT LOCAL CODES FOR VACUUM BREAKER REQUIREMENTS.
2. UNIT IS NOT INTENDED FOR INSTALLATION IN AREAS THAT ARE SUBJECT TO FREEZING.
3. MAXIMUM RECOMMENDED WORKING PRESSURE IS 100 PSI; MAXIMUM TEMPERATURE IS 130° F.



START TEFLON TAPE SEALANT CORRECTLY



INSTALLATION INSTRUCTIONS:

- A- ROUGH-IN FOR (1) 3/4" NPTI FEMALE INLET. MAINTAIN RECOMMENDED MINIMUM LENGTH ABOVE GROUND. REFER TO LOCAL CODES.
- B- THOROUGHLY FLUSH SUPPLY STUB OUT (2) PRIOR TO MAKING UP CONNECTIONS. SEAL THREAD END STUB OUT WITH TEFLON OR OTHER SEALING COMPOUND.
- C- THREAD HOSE BIB (1) TO SUPPLY STUB OUT (2) UNTIL HAND TIGHT, THEN WITH AN APPROPRIATE WRENCH, TURN TO DESIRED ORIENTATION AND CHECK FOR LEAKS.
- D- FOR 8126-LF: THREAD VACUUM BREAKER (3) TO HOSE BIB. TIGHTEN SET SCREW (4) AS REQUIRED.

Please visit www.murdock.com for most current specifications.

MURDOCK MFG. • 15125 Proctor Avenue • City of Industry, CA 91746 USA
Phone 800-453-7465 or 626-333-2543 • Fax 626-855-4860 • www.murdockmfg.com

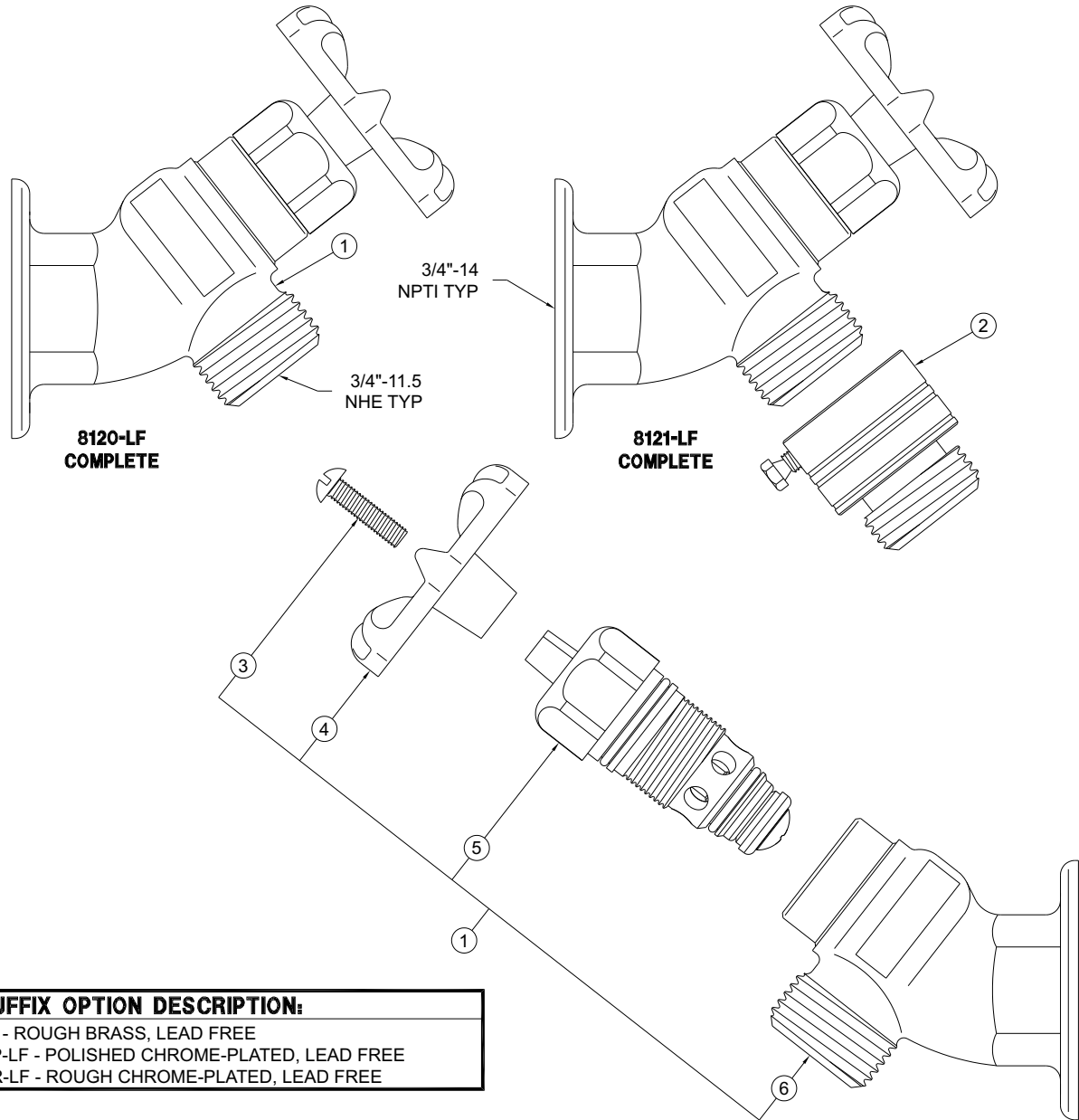
Member of
MORRIS GROUP
INTERNATIONAL



HYDRANTS

INSTALLATION/MAINTENANCE INSTRUCTIONS

8120-LF SERIES REPAIR PARTS



SUFFIX OPTION DESCRIPTION:
 LF - ROUGH BRASS, LEAD FREE
 CP-LF - POLISHED CHROME-PLATED, LEAD FREE
 CR-LF - ROUGH CHROME-PLATED, LEAD FREE

ITEM	PART NUMBER	DESCRIPTION	ITEM	PART NUMBER	DESCRIPTION
1	0490-017-001	8120-LF HOSE BIBB ASSY	4	0540-003-000	WHEEL KEY HANDLE
	0490-018-001	8120CP-LF HOSE BIBB ASSY	5	0525-012-001	-LF BRASS CARTRIDGE
	0490-019-001	8120CR-LF HOSE BIBB ASSY		0525-011-002	-LF POLISHED CHROME CARTRIDGE
2	0540-006-000	3/4" NHS VACUUM BRKR - BRASS	6	0490-014-199	-LF ROUGH BRASS HOSE BIBB BODY
	0540-007-000	3/4" NHS VACUUM BRKR - CHROME PLATED		0490-015-199	CR-LF ROUGH CHROME HOSE BIBB BODY
3	0116-013-000	SCREW			0490-017-199

Please visit www.murdock.com for most current specifications.

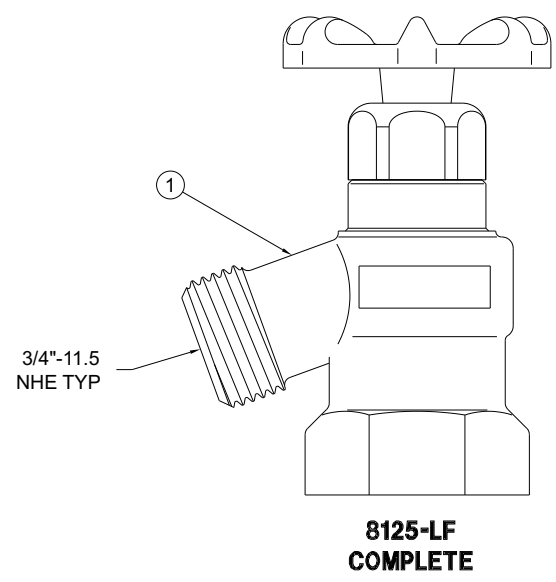
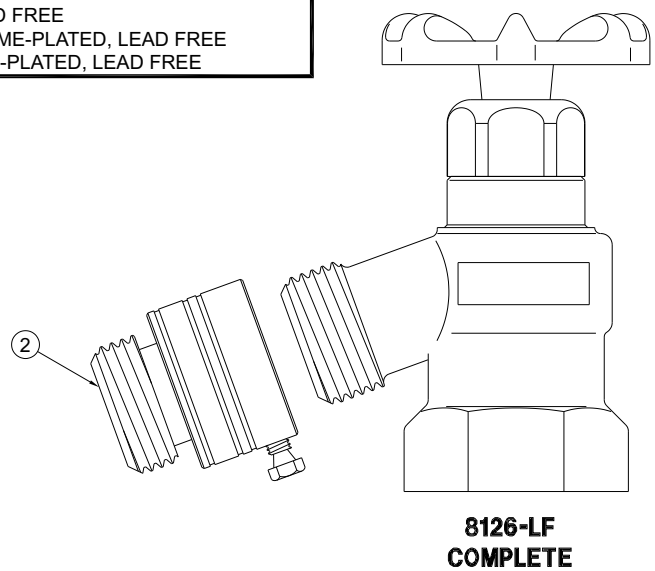
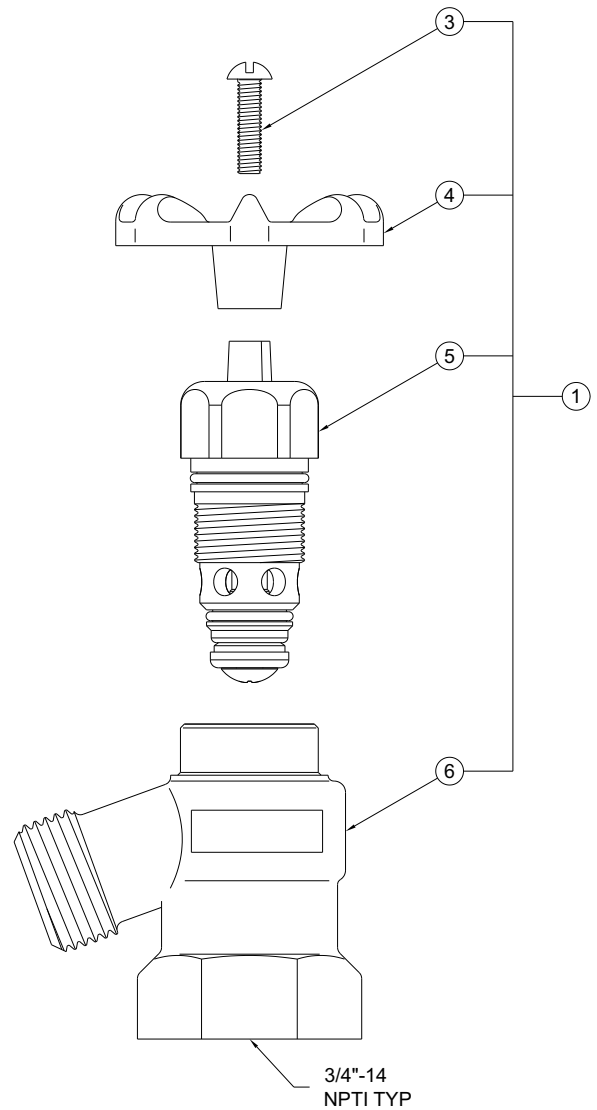


HYDRANTS

INSTALLATION/MAINTENANCE INSTRUCTIONS

8125-LF SERIES REPAIR PARTS

SUFFIX OPTION DESCRIPTION:
 LF - ROUGH BRASS, LEAD FREE
 CP-LF - POLISHED CHROME-PLATED, LEAD FREE
 CR-LF - ROUGH CHROME-PLATED, LEAD FREE



ITEM	PART NUMBER	DESCRIPTION	ITEM	PART NUMBER	DESCRIPTION
1	0491-005-001	8125-LF HOSE BIBB ASSY	4	0540-003-000	WHEEL KEY HANDLE
	0491-007-001	8125CP-LF HOSE BIBB ASSY	5	0525-012-001	-LF BRASS CARTRIDGE
	0491-008-001	8125CR-LF HOSE BIBB ASSY		0525-011-002	-LF POLISHED CHROME CARTRIDGE
2	0540-006-000	3/4" NHS VACUUM BRKR - BRASS	6	0491-004-199	-LF ROUGH BRASS HOSE BIBB BODY
	0540-007-000	3/4" NHS VACUUM BRKR - CHROME PLATED		0491-006-199	CP-LF POLISHED CHROME HOSE BIBB BODY
3	0116-013-000	SCREW			0491-008-199

Please visit www.murdock.com for most current specifications.

MURDOCK MFG. • 15125 Proctor Avenue • City of Industry, CA 91746 USA
 Phone 800-453-7465 or 626-333-2543 • Fax 626-855-4860 • www.murdockmfg.com

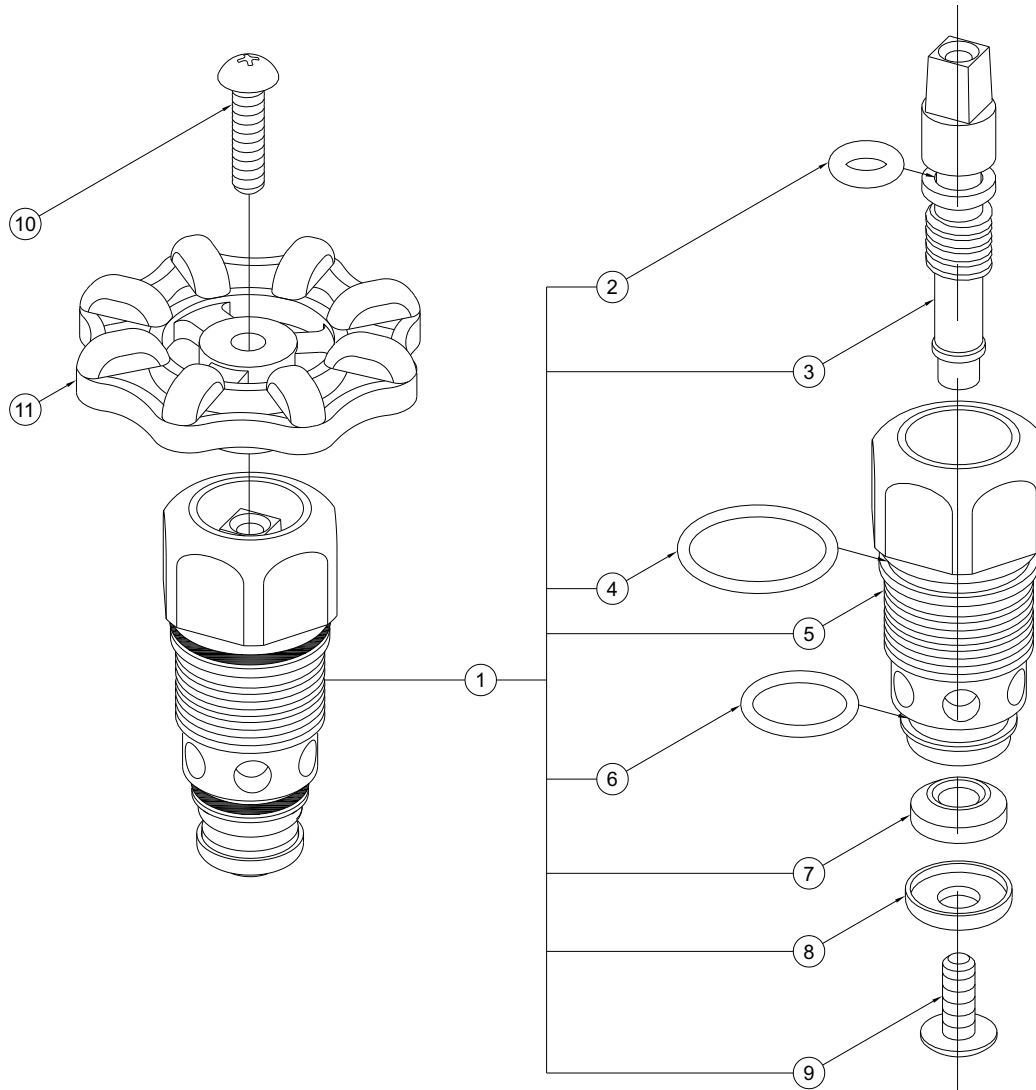
Member of
 MORRIS GROUP INTERNATIONAL



HYDRANTS

INSTALLATION/MAINTENANCE INSTRUCTIONS

CARTRIDGE REPAIR PARTS



SUFFIX DESCRIPTION:
-LF LEAD FREE

ITEM	PART NUMBER	DESCRIPTION	ITEM	PART NUMBER	DESCRIPTION
1	0525-012-001	-LF ROUGH BRASS LOCKSHIELD CARTRIDGE	6	0401-015-000	O-RING - .688" O.D. x .063" THK
	0525-011-002	-LF CHROME PLATED LOCK SHIELD CARTRIDGE		7	0439-000-000
2	0401-108-000	O-RING - .438" O.D x .094" THK	8	2260-021-199	SS DISC RETAINER
3	0525-004-199	-LF STEM		2260-009-199	BRASS DISC RETAINER
4	0401-019-000	O-RING - .938" O.D. x .063" THK	9	0116-010-000	#10-32 x 1-1/2" PHLP. TRUSS HD. SCREW
5	0525-005-199	-LF BRASS LOCKSHIELD CARTRIDGE		10	0116-013-000
	0525-005-299	-LF CHROME PLATED LOCK SHIELD CARTRIDGE	11	0540-003-000	WHEEL KEY HANDLE

Please visit www.murdock.com for most current specifications.

MURDOCK MFG. • 15125 Proctor Avenue • City of Industry, CA 91746 USA
Phone 800-453-7465 or 626-333-2543 • Fax 626-855-4860 • www.murdockmfg.com

Member of MORRIS GROUP INTERNATIONAL