

**EZ Wash-N-Go!**<sup>™</sup>

**MODEL A171100W SERIES  
BARRIER FREE, WALL MOUNTED  
HAND WASHING STATION**

**STANDARD FEATURES**

- Child or Adult ADA Compliant (When Properly Installed)
- Gray Powder Coated Apron And One-Piece Bottom Wrapper or Satin Finish Stainless Steel
- Hands Free Sensor Operated Stainless Steel "J" Spout
- 9V Battery Power or Plug-in Transformer
- Durable Stainless Steel Spout Superior to Chrome Finish
- Hanging Bracket Provided
- Rough-Ins Match Other Water Cooler Manufacturer's for Easy Retrofit

**SUGGESTED SPECIFICATIONS**

Wall mounted ADA Hand Washing Station shall be Murdock model A171100W series. Hand wash shall be activated by a Hands Free Sensor Operated Faucet with 0.5 GPM Laminar Flow outlet to minimize splash. Provide with 9 Volt DC battery power and Plug-in Transformer. Faucet Spout shall be constructed of type 304 stainless steel. Basin shall be constructed from 304 Stainless Steel and have an Integral Drain. Cabinet shall be either Galvanized or Galvannealed Steel with Gray Powder Coat Finish or Stainless Steel with Satin Finish. Unit to include a rear alcove Splash Guard manufactured from antimicrobial, impact resistant ABS. Pump Soap Dispenser shall allow for top refill of liquid and lotion soap and to include 4" stainless steel spout with bright polished finish and 34 ounce polyethylene Soap Container. Optional Tankless Water Heater shall be shipped loose for remote installation or within Cabinet. Hand Washing Station to comply with ANSI A117.1, Public Law 111-380 (NO-LEAD), CHSC 116875. Fixture shall meet ADA, ADA Standing Person, and ADA Child requirements when mounted appropriately.

Complies with the following standards:



Model A171100W-PS Shown

**MODEL:**

(Must Specify)

- A171100W Gray Finish (Standard)
- A171400W Stainless Steel Finish
- A171100W-PS Gray Finish with Pump Soap Dispenser
- A171400W-PS Stainless Steel Finish with Pump Soap Dispenser

**OPTIONS:**

(additional costs may be apply)

- H240 Tankless Water Heater, 20 amp 240 volt <sup>1</sup>  
Model # CM20L/240 104F-NPT08
- H120 Tankless Water Heater, 12 amp 120 volt <sup>1</sup>  
Model # CM12L/120 104F-NPT08

**Options Notes:**

<sup>1</sup> For Information on Chronomite<sup>®</sup> Water Heaters  
Refer to website: [www.Chronomite.com](http://www.Chronomite.com)



Member of  
U.S. Green  
Building  
Council



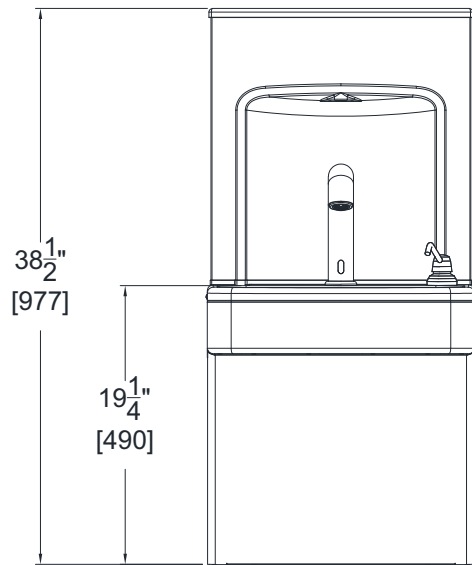
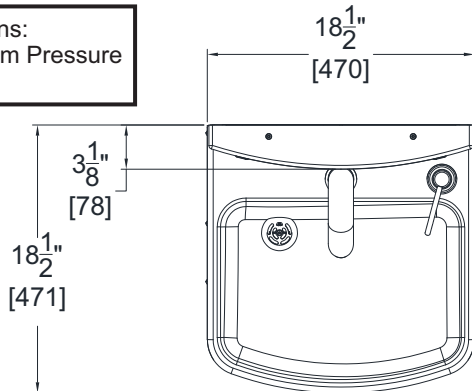
Recyclable  
Product



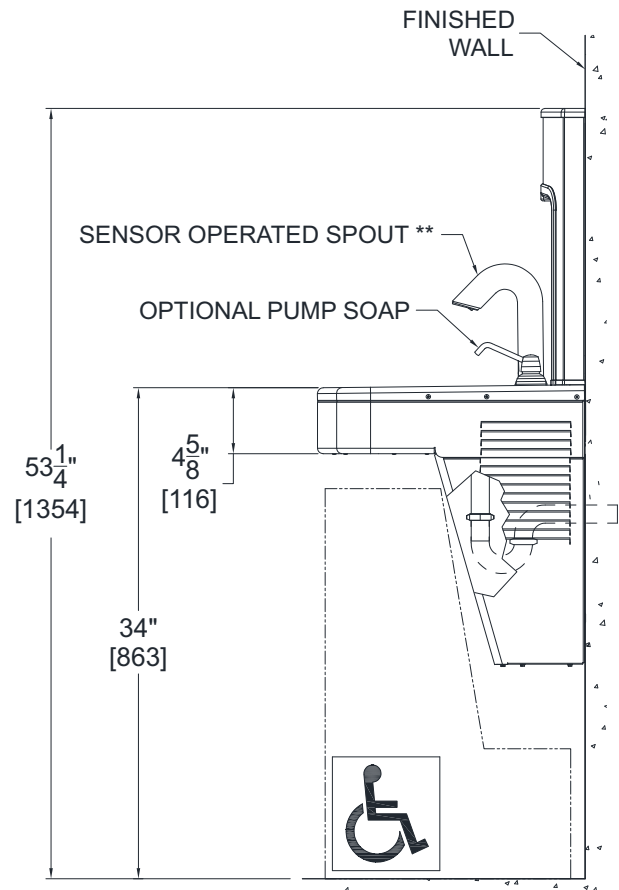
Water  
Conserving  
Product

**WARNING:** Cancer and Reproductive Harm - [www.P65Warnings.ca.gov](http://www.P65Warnings.ca.gov)

\* Valve specifications:  
Minimum/Maximum Pressure  
30 to 100 psi.



**EZ Wash-N-Go!**<sup>™</sup>  
**MODEL A171100W SERIES**  
BARRIER FREE, WALL MOUNTED  
HAND WASHING STATION



**GENERAL NOTES:**

1. ALL DIMENSIONS ARE IN INCHES [mm]
2. DIMENSIONS SHOWN ARE FOR RECOMMENDED ADULT HEIGHT. ADJUST VERTICAL DIMENSIONS AS NECESSARY TO COMPLY WITH FEDERAL, STATE & LOCAL CODES.
3. P-TRAP AND INLET STOP NOT PROVIDED.
4. \*\* DISTANCE FROM NOZZLE TO BASIN IS 6-1/2" [165].

Murdock Mfg.<sup>™</sup> warrants that its products are free from defects in material or workmanship under normal use and service for a period of one year from date of shipment. Murdock's liability under this warranty shall be discharged solely by replacement or repair of defective material, provided Murdock<sup>™</sup> is notified in writing within one year from date of shipment, F.O.B. Industry, California.

<b>SELECTION SUMMARY &amp; APPROVAL FOR MANUFACTURING</b>	Model Number & Options _____	Quantity _____	All dimensions are subject to manufactures tolerance of plus or minus 1/2" nominal and subject to change without notice. Murdock assumes no responsibility for use of void or superseded data. Dimensions may change with the addition of optional accessories. Murdock Mfg. <sup>™</sup> , Member of Morris Group International <sup>™</sup> . Please visit <a href="http://www.murdockmfg.com">www.murdockmfg.com</a> for most current specifications.
	Company _____		
	Contact _____	Title _____	
	Signature (Approval for Manufacturing) _____	Date _____	