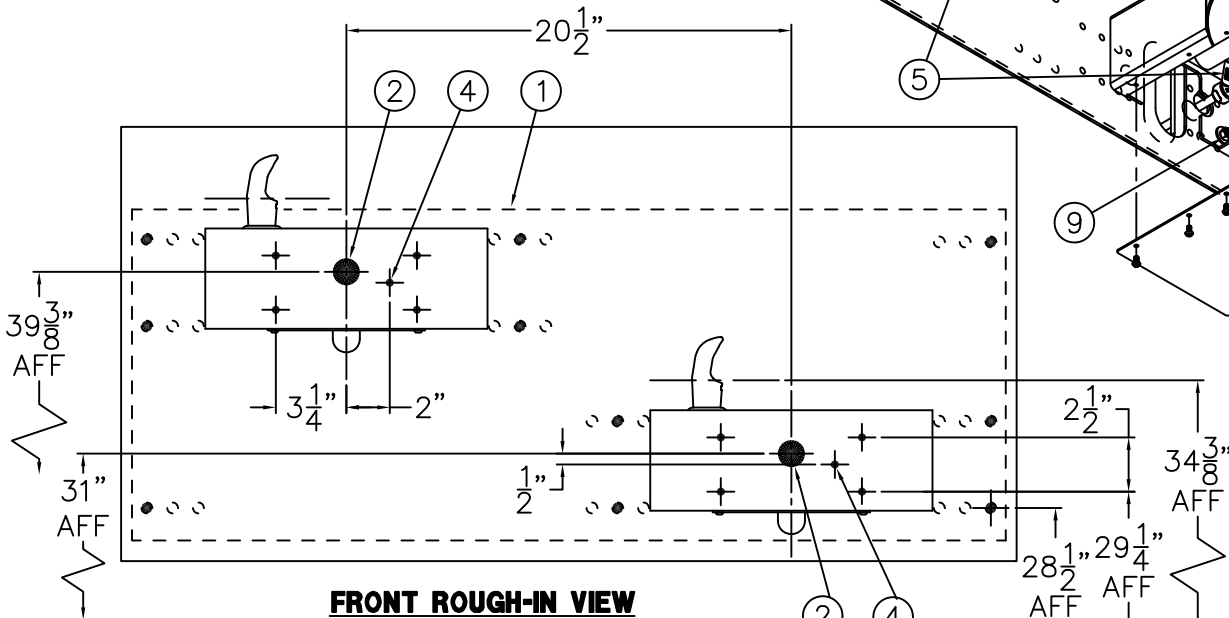
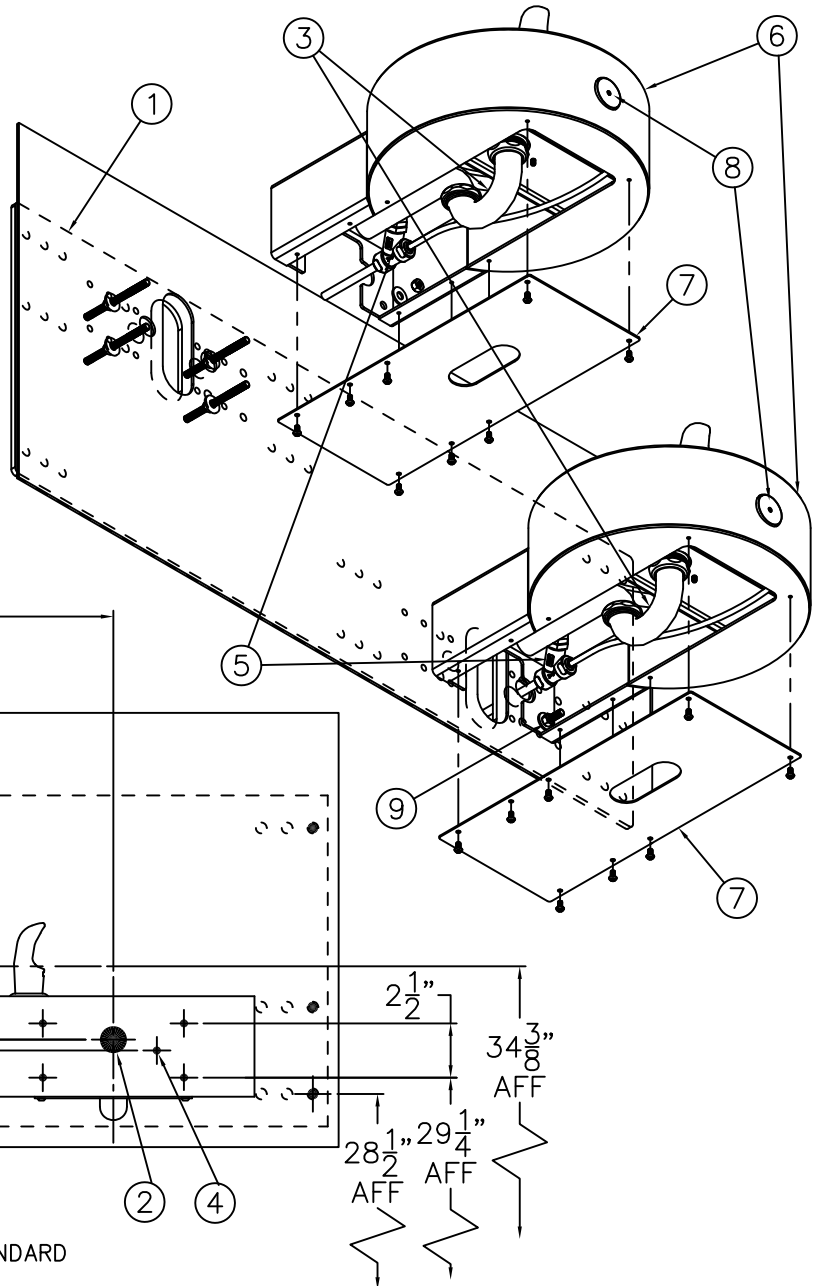


**DETAIL A  
FLOW ADJUSTMENT**



**FRONT ROUGH-IN VIEW**

**INSTALLATION INSTRUCTIONS:**

- A- REFER TO DRAWING # 9938-376-002 TO INSTALL STANDARD SUPPLIED WALL MOUNTING PLATE (1).
- B- ROUGH-IN WASTE OUTLETS (2) AT DIMENSIONS SHOWN FOR 1-1/4" OUTER DIAMETER PLAIN END P-TRAPS (3).
- C- ROUGH-IN WATER SUPPLIES (4) AT DIMENSIONS SHOWN FOR THE 1/4" NOMINAL (3/8" O.D.) x 4" LONG COPPER TUBES CONNECTED TO IN-LINE STRAINERS (5) PROVIDED. STOPS RECOMMENDED ON SUPPLIES TO BE SUPPLIED BY OTHERS.
- D- CAREFULLY REMOVE FIXTURES (6) AND COMPONENTS FROM THE PACKAGING PREVENTING SCRATCHING AND DAMAGE.
- E- REMOVE BOTTOM ACCESS PANELS (7). ENSURE PUSHBUTTONS (8), P-TRAPS (3), AND BUBBLERS ARE SECURE. CHECK ALL TUBING CONNECTIONS TO MAKE SURE THEY DID NOT COME LOOSE IN SHIPMENT.
- F- SLIDE BACK PLATE & FIXTURES OVER STUDS FROM MOUNTING PLATE (1) AND SECURE WITH NUTS AND WASHERS (9).

- G- MAKE-UP 1-1/4" O.D. WASTE CONNECTION TO P-TRAPS (3).
- H- FLUSH WATER SUPPLIES (4) BY OTHERS OF ALL DEBRIS PRIOR TO CONNECTING TO FIXTURE.
- I- CONNECT WATER SUPPLIES (4) BY OTHERS TO 1/4" NOMINAL COPPER TUBE INLETS. STOPS ON SUPPLIES RECOMMENDED.
- J- TEST OPERATION OF BUBBLERS BY DEPRESSING BUTTONS (8). ADJUST THE FLOW RATE AS REQUIRED. SEE **DETAIL A**. CHECK ALL CONNECTIONS AND WASTE PIPING FOR LEAKS. CORRECT IF PRESENT.
- K- RE-INSTALL BOTTOM ACCESS PANELS (7).

**NOTE:**

STANDARD VALVE SHOWN. FOR THE OPTIONAL -FRA4 FREEZE RESISTANT VALVE REFERENCE DRAWING # 9938-331-001.

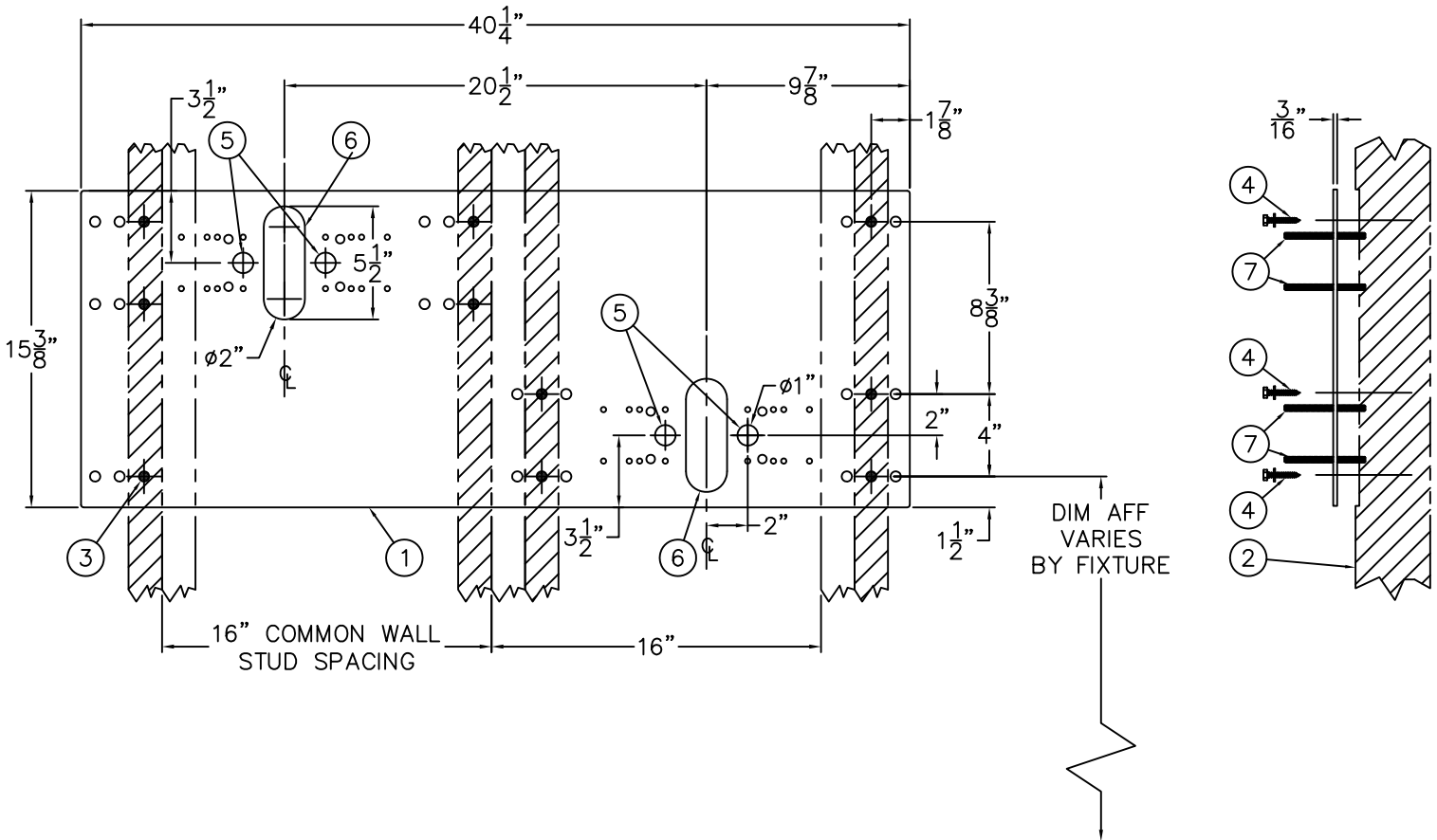
MURDOCK-SUPER SECUR  
P.O. Box 3527 Industry, CA 91744  
15125 Proctor Ave Industry, CA 91746  
Phone: (800) 591-9880  
www.murdock-supersecur.com

<b>TITLE</b>		
<b>ROUND OUTDOOR STEEL WALL MOUNTED BI-LEVEL DRINKING FOUNTAIN</b>		
MANUFACTURE DATE	DATE ISSUED	DRAWING NUMBER
<b>JANUARY 2006 TO PRESENT</b>	<b>09/27/05</b>	<b>9938-101-001</b>
	DATE REVISED	
	<b>03/14/16</b>	



ROUGH-IN FOR 3/8" OD PUSH-IN SUPPLY INLET  
STRAIGHT STOP RECOMMENDED \*1/4" OD x 2"  
LONG TUBE STUB PROVIDED.

ROUGH-IN FOR 1-1/4" OD P-TRAP WASTE  
OUTLET.



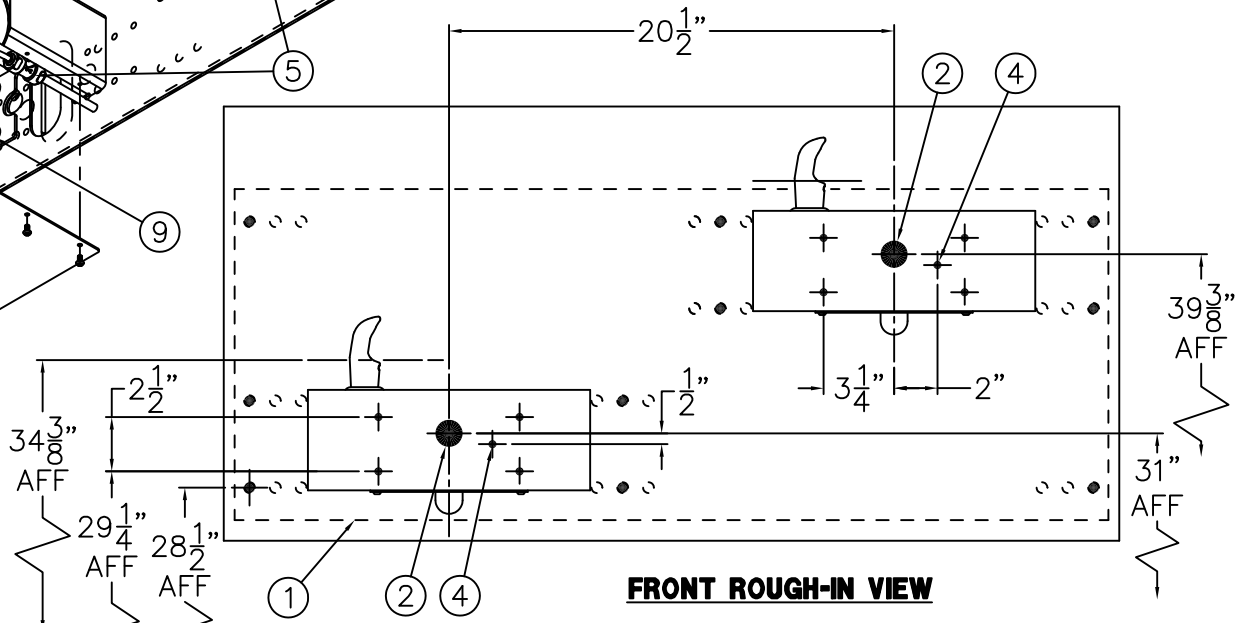
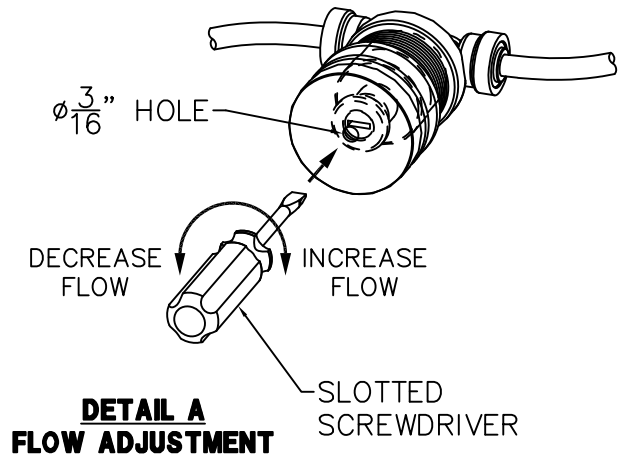
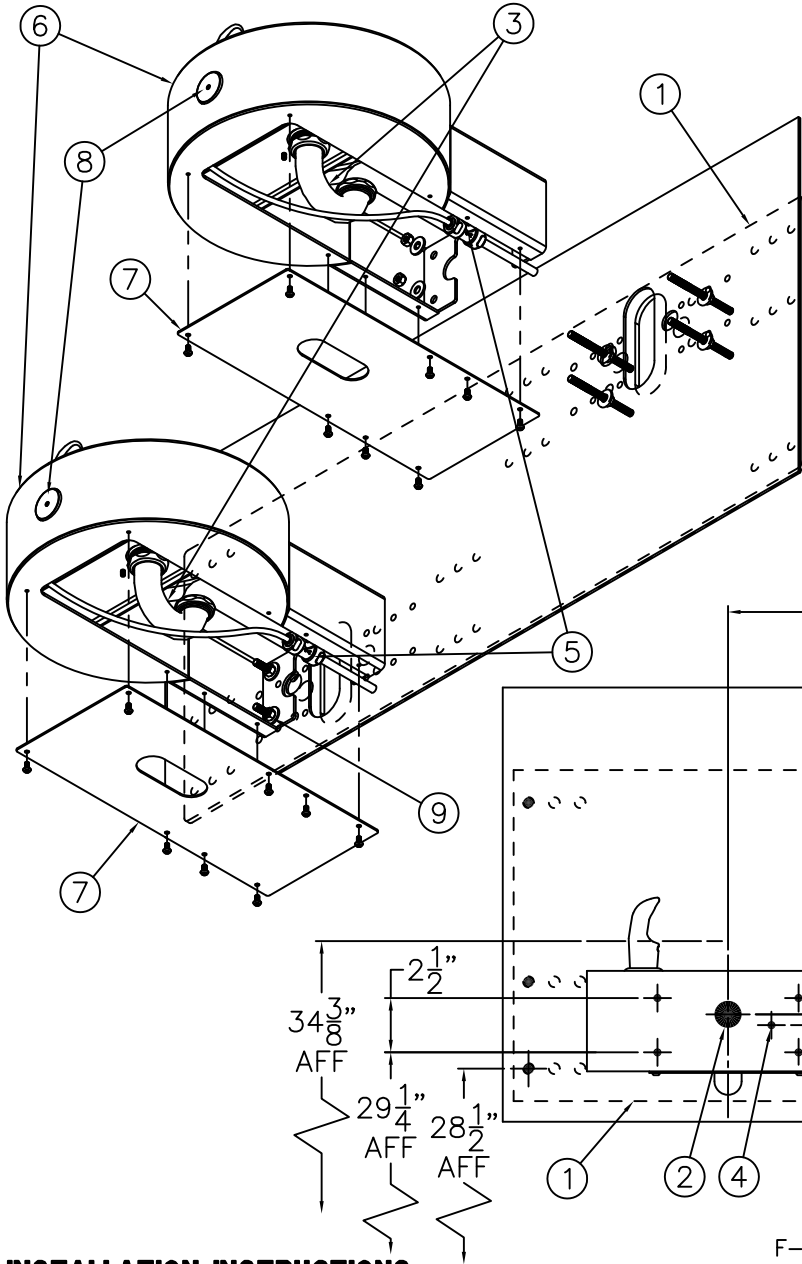
**INSTALLATION INSTRUCTIONS:**

NOTE: STANDARD BI-LEVEL INSTALLATION SHOWN, OPTIONAL RBL REVERSE BI-LEVEL INSTALLATION OPPOSITE.

- A- PLATE ① INTENDED TO BE RECESSED FLUSH WITH SUPPORT FRAMING ② PROVIDED BY INSTALLER. FRAME & BLOCK OUT SUPPORT USING DIMENSIONS SHOWN. FRAME SHOULD SUPPORT 300 LBS MINIMUM.
- B- MOUNTING PLATE ① IS 3/16" THICK AND INCLUDES 30, 1/2" DIAMETER PUNCHING FOR ANCHORING HARDWARE BY OTHERS.
- C- STRIKE A LEVEL HORIZONTAL CHALK LINE TO LOCATE BOTTOM MOUNTING HOLES ③. REFERENCE DISCHARGE HEIGHT REQUIREMENTS FOR YOUR MODEL AND FACILITY TO DETERMINE CORRECT HEIGHT AT FINISHED FLOOR (AFF).

- D- AFTER POSITIONING PLATE CORRECTLY, FIX PLATE TO WALL USING APPROPRIATE INSTALLER PROVIDED ANCHORING HARDWARE ④.
- E- MAKE UP APPROPRIATE SUPPLY ⑤ AND WASTE ⑥ ROUGHS THROUGH MOUNTING PLATE OPENINGS. A STRAIGHT SUPPLY STOP IS RECOMMENDED.
- F- REFER TO FIXTURE INSTALLATION SHEETS TO LOCATE 5/16" THREADED STUD MOUNTING HARDWARE AND THREAD STUDS ⑦ THRU PLATE SO THAT A MINIMUM OF 1-1/4 OF THREAD PROJECTS BEYOND THE FINISHED WALL.
- G- PROTECT THREADED STUDS ⑦, SUPPLY ⑤ AND WASTE ⑥ ROUGHS WHILE FINISHING WALL.

<p>MURDOCK-SUPER SECUR P.O. Box 3527 Industry, CA 91744 15125 Proctor Ave Industry, CA 91746 Phone: (800) 591-9880 www.murdock-supersecur.com</p>	<p>TITLE <b>-MP2 WALL PLATE BI-LEVEL, DRINKING FOUNTAIN</b></p>		
	<p>MANUFACTURE DATE</p> <p><b>OCTOBER 2006</b></p> <p><b>TO PRESENT</b></p>	<p>DATE ISSUED</p> <p><b>10/21/08</b></p> <p>DATE REVISED</p> <p><b>03/14/16</b></p>	<p>DRAWING NUMBER</p> <p><b>9938-376-002</b></p>



**INSTALLATION INSTRUCTIONS:**

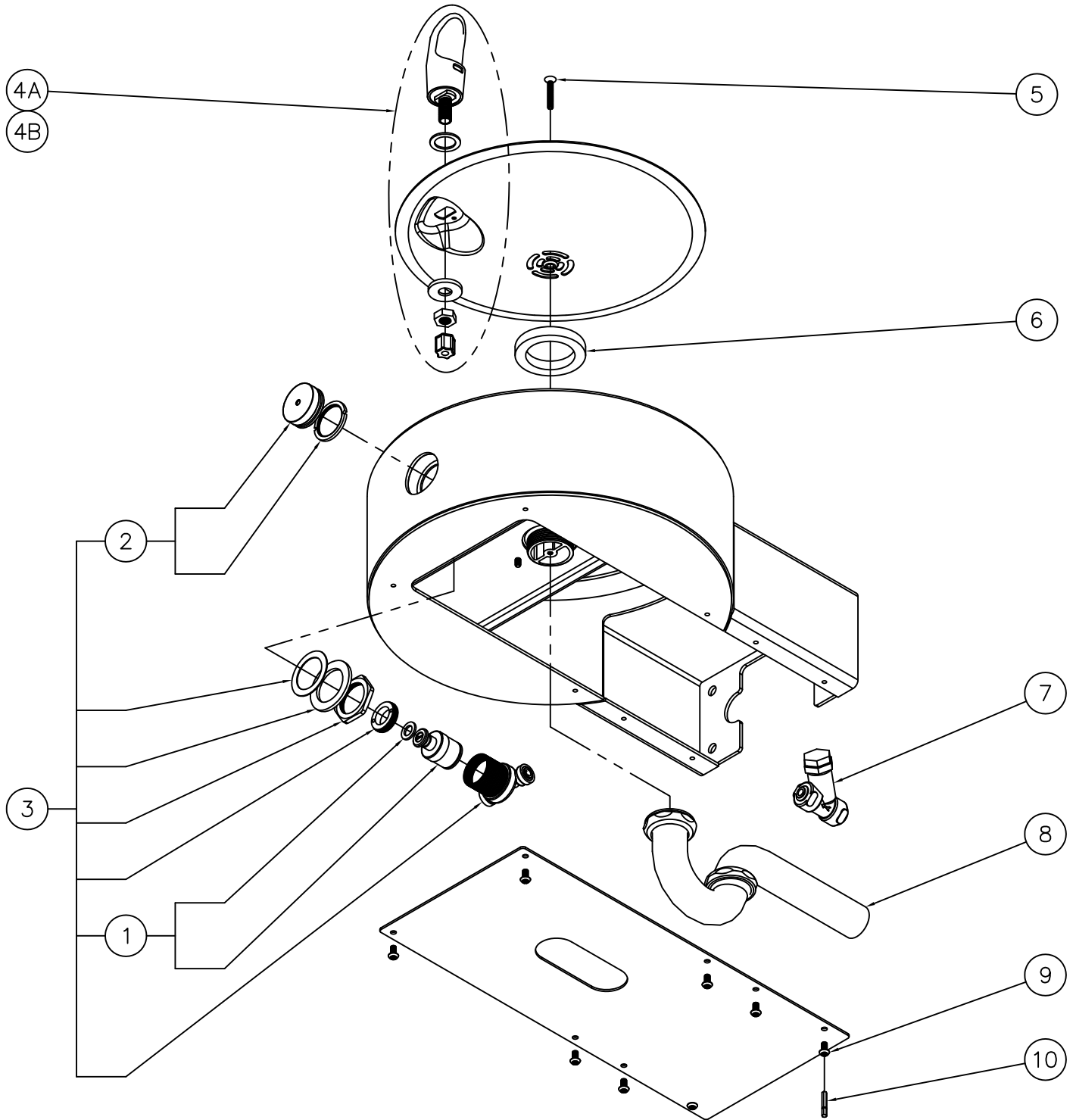
- A- REFER TO DRAWING # 9938-376-002 TO INSTALL STANDARD SUPPLIED WALL MOUNTING PLATE (1).
- B- ROUGH-IN WASTE OUTLETS (2) AT DIMENSIONS SHOWN FOR 1-1/4" OUTER DIAMETER PLAIN END P-TRAPS (3).
- C- ROUGH-IN WATER SUPPLIES (4) AT DIMENSIONS SHOWN FOR THE 1/4" NOMINAL (3/8" O.D.) x 4" LONG COPPER TUBES CONNECTED TO IN-LINE STRAINERS (5) PROVIDED. STOPS RECOMMENDED ON SUPPLIES TO BE SUPPLIED BY OTHERS.
- D- CAREFULLY REMOVE FIXTURES (6) AND COMPONENTS FROM THE PACKAGING PREVENTING SCRATCHING AND DAMAGE.
- E- REMOVE BOTTOM ACCESS PANELS (7). ENSURE PUSHBUTTONS (8), P-TRAPS (3), AND BUBBLERS ARE SECURE. CHECK ALL TUBING CONNECTIONS TO MAKE SURE THEY DID NOT COME LOOSE IN SHIPMENT.

- F- SLIDE BACK PLATE & FIXTURES OVER STUDS FROM MOUNTING PLATE (1) AND SECURE WITH NUTS AND WASHERS (9).
- G- MAKE-UP 1-1/4" O.D. WASTE CONNECTION TO P-TRAPS (3).
- H- FLUSH WATER SUPPLIES (4) BY OTHERS OF ALL DEBRIS PRIOR TO CONNECTING TO FIXTURE.
- I- CONNECT WATER SUPPLIES (4) BY OTHERS TO 1/4" NOMINAL COPPER TUBE INLETS. STOPS ON SUPPLIES RECOMMENDED.
- J- TEST OPERATION OF BUBBLERS BY DEPRESSING BUTTONS (8). ADJUST THE FLOW RATE AS REQUIRED. SEE DETAIL A. CHECK ALL CONNECTIONS AND WASTE PIPING FOR LEAKS. CORRECT IF PRESENT.
- K- RE-INSTALL BOTTOM ACCESS PANELS (7).

**NOTE:**

STANDARD VALVE SHOWN. FOR THE OPTIONAL -FRA4 FREEZE RESISTANT VALVE REFERENCE DRAWING # 9938-331-001.

TITLE <b>-RBL ROUND OUTDOOR STEEL WALL REVERSE BI-LEVEL DRINKING FOUNTAIN</b>		
MANUFACTURE DATE <b>JANUARY 2006 TO PRESENT</b>	DATE ISSUED <b>09/27/05</b>	DRAWING NUMBER <b>9938-102-001</b>
	DATE REVISED <b>03/14/16</b>	



1	7000-050-001	VALVE CARTRIDGE	6	7000-006-000	FLAT DRAIN ADAPTER GASKET
2	7000-068-001	RETAINING RING AND BUTTON ASSEMBLY	7	7000-021-001	"Y" STRAINER
3	7000-065-001	RECESSED PUSHBUTTON VALVE ASSEMBLY	8	7000-015-000	1-1/4" OUTER DIAMETER P-TRAP
4A	7000-012-001	STAINLESS STEEL BUBBLER	9	0112-002-000	CENTER REJECT ALLEN BUTTON HEAD SCREW
4B	7000-099-002	LOW FLOW FLEXIBLE BUBBLER ASSEMBLY	10	0296-025-199	CENTER REJECT HEX DRIVER BIT
5	0152-010-000	CENTER REJECT ALLEN FLAT HEAD SCREW			

ITEM	PART NUMBER	DESCRIPTION	ITEM	PART NUMBER	DESCRIPTION
		MURDOCK-SUPER SECUR P.O. Box 3527 Industry, CA 91744 15125 Proctor Ave Industry, CA 91746 Phone: (800) 591-9880 www.murdock-supersecur.com	<b>TITLE</b> <b>ROUND OUTDOOR STEEL WALL MOUNTED DRINKING FOUNTAIN</b>		
		<b>MANUFACTURE DATE</b> <b>JANUARY 2006</b> <b>TO PRESENT</b>	<b>DATE ISSUED</b> <b>10/31/05</b> <b>DATE REVISED</b> <b>03/11/16</b>		<b>DRAWING NUMBER</b> <b>9938-100-500</b>



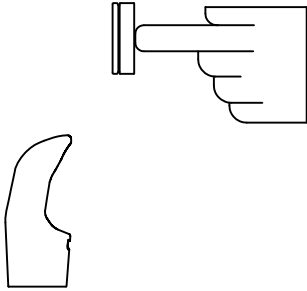
**INSTALLATION INSTRUCTIONS**

**STANDARD PUSH PAD / PUSH BUTTON DRINKING FOUNTAIN**

**CONDITION:**

**SOLUTION:**

**NO WATER FLOW:**



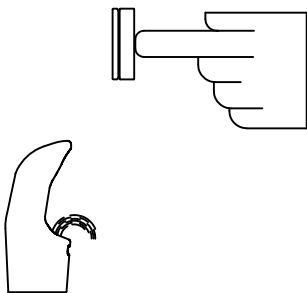
- 1.1 Check water main supply – open.
- 1.2 Inspect stop (by others) – open & no debris.
- 1.3 Inspect in-line strainer for debris – clean.
- 1.4 Replace valve cartridge.

**WATER DRIPS / WILL NOT SHUT OFF:**




- 2.1 For push pad activated drinking fountains only: Open fixture and move valve bracket assembly further back from push pad.
- 2.2 Replace valve cartridge.

**REDUCED WATER FLOW:**



- 3.1 Adjust the valve flow rate. See appropriate fixture installation instructions.
- 3.2 Check water main supply for 20 psig minimum flow pressure.
- 3.3 Inspect stop (by others) – open & no debris.
- 3.4 Inspect in-line strainer for debris – clean.
- 3.5 Inspect bubbler for debris – clean.
- 3.6 Inspect all tubing for twists or kinks.
- 3.7 Replace valve cartridge.

 <b>MURDOCK-SUPER SECUR</b> P.O. Box 3527 Industry, CA 91744 15125 Proctor Ave Industry, CA 91746 Phone: (800) 591-9880 www.murdock-supersecur.com	<b>TITLE DRINKING FOUNTAIN VALVE MAINTENANCE INSTRUCTIONS</b>		
	<b>MANUFACTURE DATE</b> <b>JANUARY 2006</b> <b>TO PRESENT</b>	<b>DATE ISSUED</b> <b>09/28/05</b> <b>DATE REVISED</b> <b>03/02/16</b>	<b>DRAWING NUMBER</b> <b>9940-200-001</b>