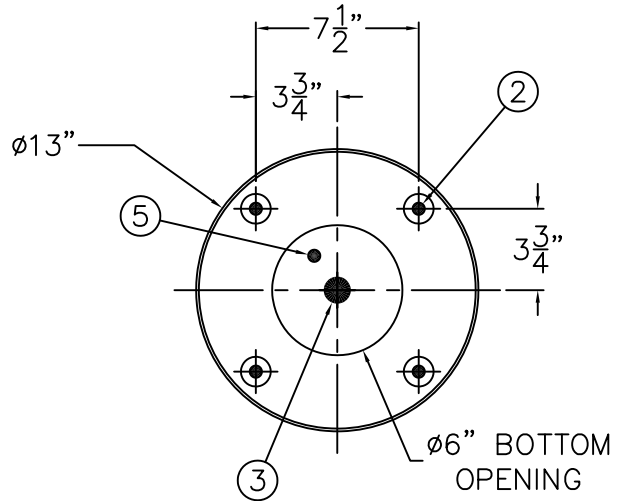


**DETAIL A  
FLOW ADJUSTMENT**



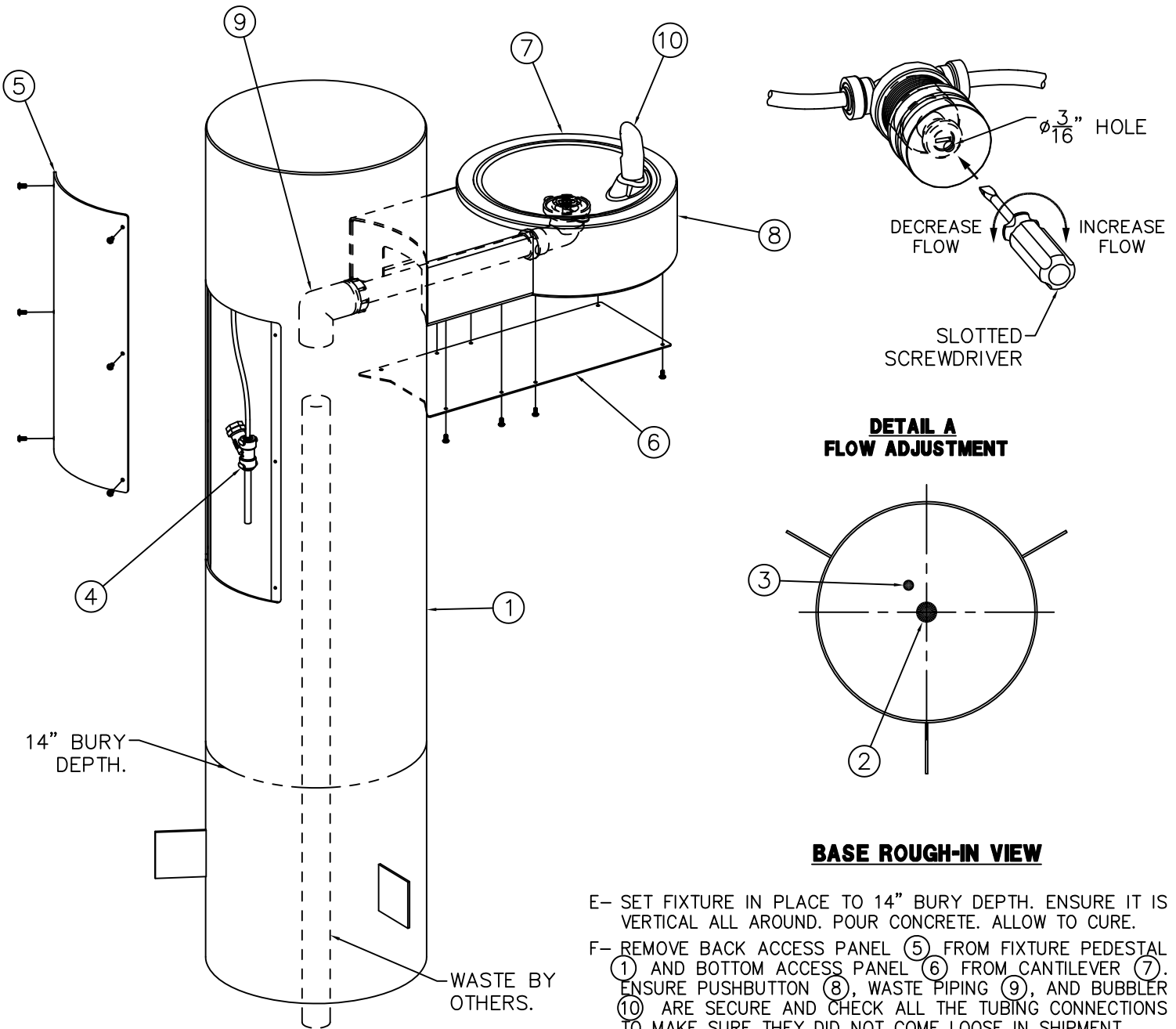
**BASE ROUGH-IN VIEW**

**INSTALLATION INSTRUCTIONS:**

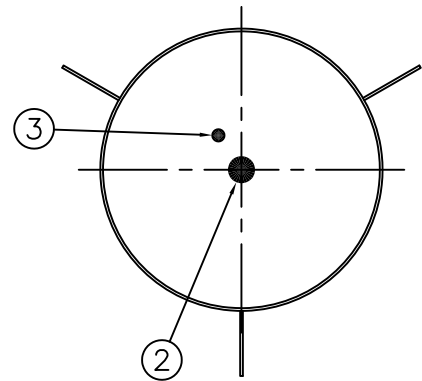
- A- PROVIDE 30" SQUARE MINIMUM x 6" DEEP MINIMUM CONCRETE SLAB BY OTHERS TO SECURELY ANCHOR FIXTURE. INSTALL THE FOUR PROVIDED CONCRETE ANCHORS (1) AT DIMENSIONS SHOWN TO MATCH HOLES (2) IN FIXTURE BASE.
- B- ROUGH-IN WASTE OUTLET (3) AT DIMENSION SHOWN FOR 1-1/4" PVC PIPE SIZE OR USE THE COMPRESSION ADAPTER PROVIDED LOOSE FOR 1-1/4" OUTER DIAMETER TUBE.
- C- ROUGH-IN WATER SUPPLY (4) WITHIN 6" DIAMETER BOTTOM OPENING FOR 1/4" NOMINAL (3/8" O.D.) x 4" LONG COPPER TUBE CONNECTED TO IN-LINE STRAINER (5) PROVIDED. STOP RECOMMENDED ON SUPPLY TO BE SUPPLIED BY OTHERS.
- D- CAREFULLY REMOVE THE FIXTURE AND COMPONENTS FROM THE PACKAGING PREVENTING SCRATCHING AND DAMAGE.
- E- REMOVE BACK ACCESS PANEL (6) FROM FIXTURE PEDESTAL (7) AND BOTTOM ACCESS PANEL (8) FROM CANTILEVER (9). ENSURE PUSHBUTTON (10), WASTE PIPING (11), AND BUBBLER (12) ARE SECURE AND CHECK ALL THE TUBING CONNECTIONS TO MAKE SURE THEY DID NOT COME LOOSE IN SHIPMENT.

- F- SET PEDESTAL (7) IN PLACE ALIGNING BASE HOLES (2) WITH THE INSTALLED ANCHORS (1) AND SECURE WITH THE 1/2" UNC HARDWARE (13) PROVIDED.
- G- MAKE-UP WASTE CONNECTION TO THE WASTE PIPING (11).
- H- FLUSH WATER SUPPLY (4) BY OTHERS OF ALL DEBRIS PRIOR TO CONNECTING TO FIXTURE.
- I- CONNECT WATER SUPPLY (4) BY OTHERS TO 1/4" NOMINAL COPPER TUBE INLET. STOP ON THE SUPPLY IS RECOMMENDED.
- J- TEST OPERATION OF BUBBLER BY DEPRESSING BUTTON (10). ADJUST THE FLOW RATE AS REQUIRED. SEE DETAIL A. CHECK ALL CONNECTIONS AND WASTE PIPING FOR LEAKS. CORRECT IF PRESENT.
- K- RE-INSTALL BACK ACCESS PANEL (6) AND BOTTOM ACCESS PANEL (8).

<p>MURDOCK-SUPER SECUR P.O. Box 3527 Industry, CA 91744 15125 Proctor Ave Industry, CA 91746 Phone: (800) 591-9880 www.murdock-supersecur.com</p>	<p>TITLE <b>ROUND OUTDOOR STEEL PEDESTAL ADA DRINKING FOUNTAIN</b></p>		
	<p>MANUFACTURE DATE <b>JANUARY 2006 TO PRESENT</b></p>	<p>DATE ISSUED <b>09/27/05</b></p>	<p>DRAWING NUMBER <b>9938-110-001</b></p>
		<p>DATE REVISED <b>03/15/16</b></p>	



**DETAIL A  
FLOW ADJUSTMENT**




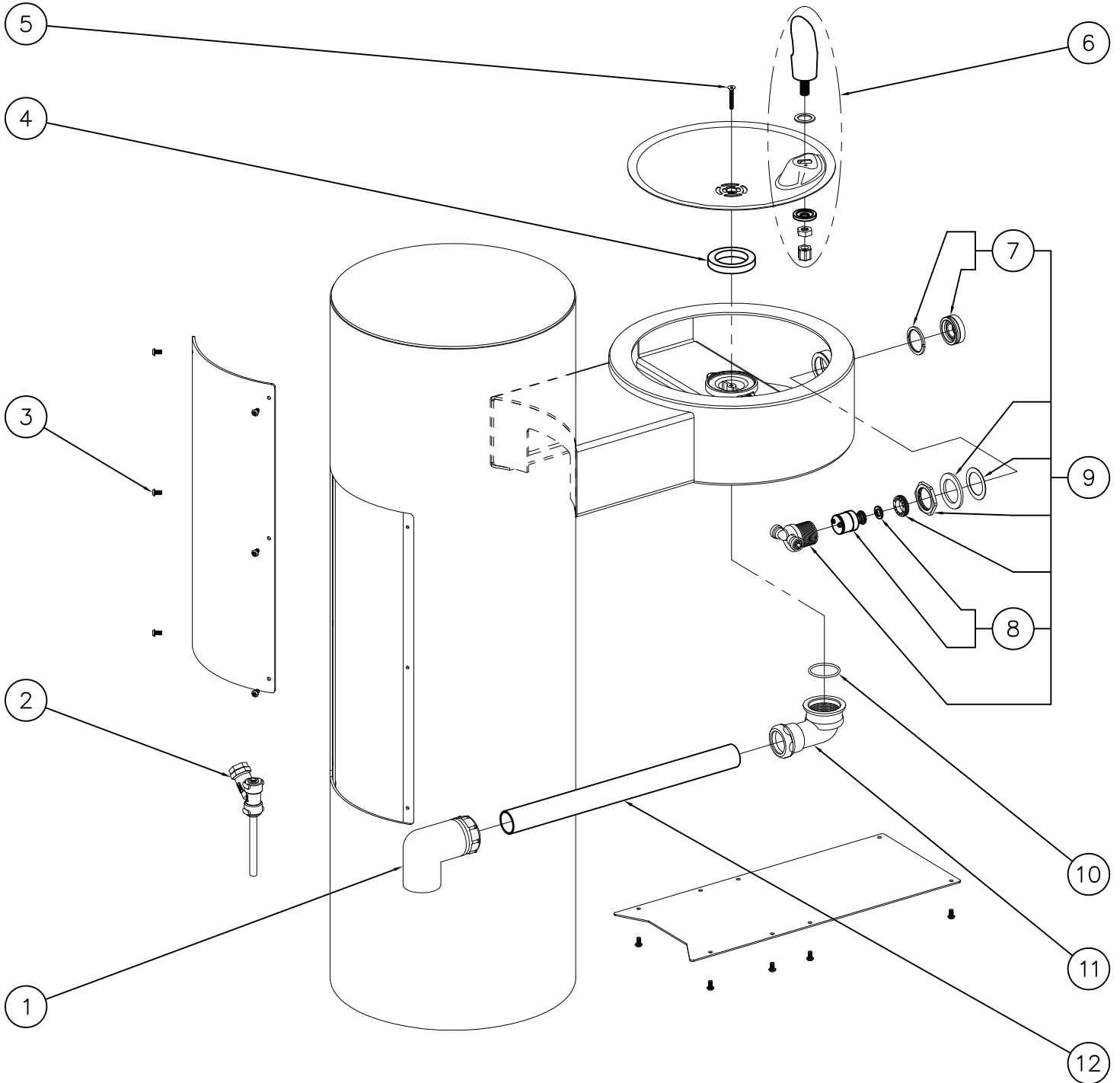
**BASE ROUGH-IN VIEW**

**INSTALLATION INSTRUCTIONS:**

- A- PREPARE INSTALLATION LOCATION TO BURY FIXTURE PEDESTAL (1) TO 14" DEPTH.
- B- ROUGH-IN WASTE OUTLET (2) CENTERED AS SHOWN FOR 1-1/4" PVC PIPE SIZE OR USE THE COMPRESSION ADAPTER PROVIDED LOOSE FOR 1-1/4" OUTER DIAMETER TUBE.
- C- ROUGH-IN WATER SUPPLY (3) FOR 1/4" NOMINAL (3/8" O.D.) x 4" LONG COPPER TUBE CONNECTED TO IN-LINE STRAINER (4) PROVIDED. RECOMMENDED SUPPLY STOP BY OTHERS.
- D- CAREFULLY REMOVE THE FIXTURE AND COMPONENTS FROM THE PACKAGING PREVENTING SCRATCHING AND DAMAGE.

- E- SET FIXTURE IN PLACE TO 14" BURY DEPTH. ENSURE IT IS VERTICAL ALL AROUND. POUR CONCRETE. ALLOW TO CURE.
- F- REMOVE BACK ACCESS PANEL (5) FROM FIXTURE PEDESTAL (1) AND BOTTOM ACCESS PANEL (6) FROM CANTILEVER (7). ENSURE PUSHBUTTON (8), WASTE PIPING (9), AND BUBBLER (10) ARE SECURE AND CHECK ALL THE TUBING CONNECTIONS TO MAKE SURE THEY DID NOT COME LOOSE IN SHIPMENT.
- G- MAKE-UP WASTE CONNECTION TO THE WASTE PIPING (9).
- H- FLUSH WATER SUPPLY (3) BY OTHERS OF ALL DEBRIS PRIOR TO CONNECTING TO FIXTURE.
- I- CONNECT WATER SUPPLY (3) BY OTHERS TO 1/4" NOMINAL COPPER TUBE INLET. STOP ON THE SUPPLY IS RECOMMENDED.
- J- TEST OPERATION OF BUBBLER BY DEPRESSING BUTTON (8). ADJUST THE FLOW RATE AS REQUIRED. SEE DETAIL A. CHECK ALL CONNECTIONS AND WASTE PIPING FOR LEAKS. CORRECT IF PRESENT.
- K- RE-INSTALL BACK ACCESS PANEL (5) AND BOTTOM ACCESS PANEL (6).

 <p>MURDOCK-SUPER SECUR P.O. Box 3527 Industry, CA 91744 15125 Proctor Ave Industry, CA 91746 Phone: (800) 591-9880 www.murdock-supersecur.com</p>	<p>TITLE <b>-IGM IN-GROUND MOUNTING ROUND OUTDOOR STEEL ADA FOUNTAIN</b></p>		
	<p>MANUFACTURE DATE <b>JANUARY 2006 TO PRESENT</b></p>	<p>DATE ISSUED <b>09/27/05</b></p> <p>DATE REVISED <b>03/15/16</b></p>	<p>DRAWING NUMBER <b>9938-111-001</b></p>



1	7002-013-001	1-1/4" O.D. ELBOW / COMPRESSION ASSY	7	7000-068-001	RETAINING RING AND BUTTON ASSEMBLY
2	7000-021-001	1/2" V" STRAINER	8	7000-050-001	VALVE CARTRIDGE
3	0112-001-000	CENTER REJECT ALLEN BUTTON HEAD SCREW	9	7000-065-001	RECESSED PUSHBUTTON VALVE ASSEMBLY
4	7000-006-000	FLAT DRAIN ADAPTER GASKET	10	0401-128-000	O-RING
5	0152-010-000	CENTER REJECT ALLEN FLAT HEAD SCREW	11	7000-017-001	ELBOW ASSEMBLY
6	7000-012-001	STAINLESS STEEL BUBBLER	12	7000-111-199	1-1/4" O.D. x 14" LONG DRAIN TUBE
ITEM	PART NUMBER	DESCRIPTION	ITEM	PART NUMBER	DESCRIPTION



MURDOCK-SUPER SECUR  
P.O. Box 3527 Industry, CA 91744  
15125 Proctor Ave Industry, CA 91746  
Phone: (800) 591-9880  
www.murdock-supersecur.com

TITLE

**ROUND OUTDOOR STEEL PEDESTAL ADA DRINKING FOUNTAIN**

MANUFACTURE DATE

**JANUARY 2006  
TO PRESENT**

DATE ISSUED

**01/19/06**

DATE REVISED

**03/15/16**

DRAWING NUMBER

**9938-110-500**



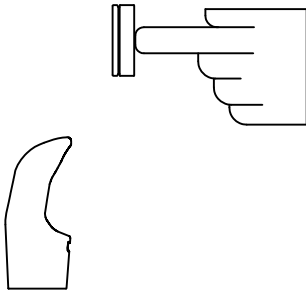
**INSTALLATION INSTRUCTIONS**

**STANDARD PUSH PAD / PUSH BUTTON DRINKING FOUNTAIN**

**CONDITION:**

**SOLUTION:**

**NO WATER FLOW:**



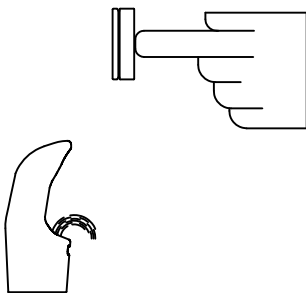
- 1.1 Check water main supply – open.
- 1.2 Inspect stop (by others) – open & no debris.
- 1.3 Inspect in–line strainer for debris – clean.
- 1.4 Replace valve cartridge.

**WATER DRIPS / WILL NOT SHUT OFF:**




- 2.1 For push pad activated drinking fountains only: Open fixture and move valve bracket assembly further back from push pad.
- 2.2 Replace valve cartridge.

**REDUCED WATER FLOW:**



- 3.1 Adjust the valve flow rate. See appropriate fixture installation instructions.
- 3.2 Check water main supply for 20 psig minimum flow pressure.
- 3.3 Inspect stop (by others) – open & no debris.
- 3.4 Inspect in–line strainer for debris – clean.
- 3.5 Inspect bubbler for debris – clean.
- 3.6 Inspect all tubing for twists or kinks.
- 3.7 Replace valve cartridge.

 <b>MURDOCK-SUPER SECUR</b> P.O. Box 3527 Industry, CA 91744 15125 Proctor Ave Industry, CA 91746 Phone: (800) 591-9880 www.murdock-supersecur.com	<b>TITLE DRINKING FOUNTAIN VALVE MAINTENANCE INSTRUCTIONS</b>		
	<b>MANUFACTURE DATE</b> <b>JANUARY 2006</b> <b>TO PRESENT</b>	<b>DATE ISSUED</b> <b>09/28/05</b> <b>DATE REVISED</b> <b>03/02/16</b>	<b>DRAWING NUMBER</b> <b>9940-200-001</b>