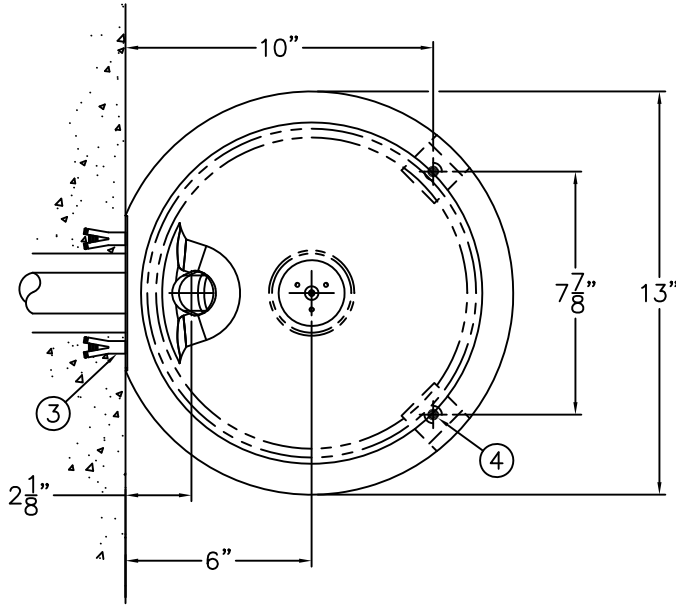


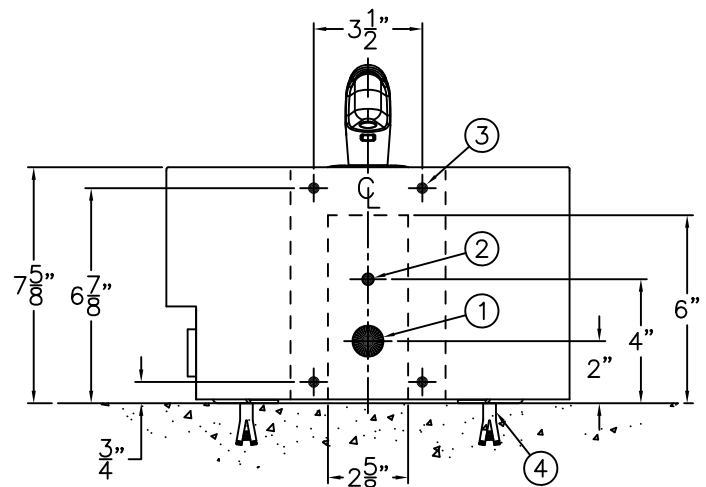
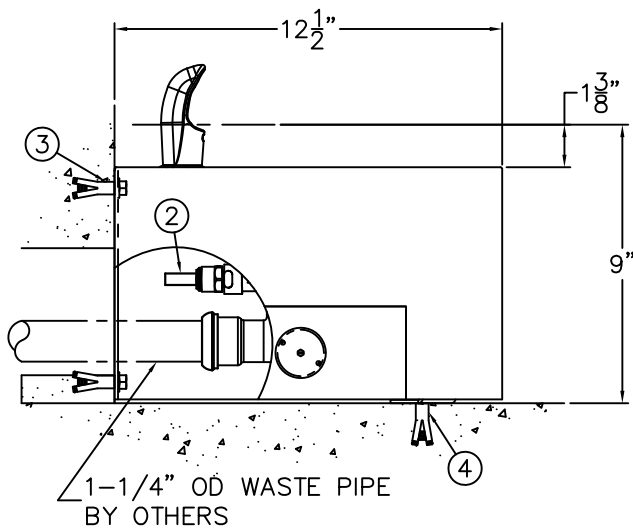
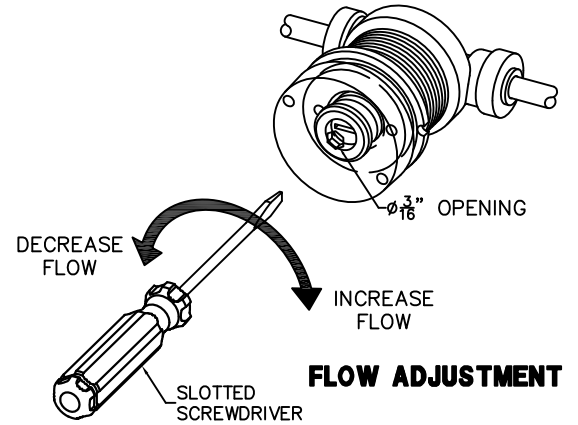


INSTALLATION INSTRUCTIONS

DRINKING FOUNTAINS



REFERENCE DRAWINGS	
ITEM	DRAWING
VALVE ADJ & REPAIR PARTS	9938-149-500
VALVE MAINTENANCE	9940-200-001
FREE STANDING MODEL	9938-159-M01
FRU1 INSTALLATION MANUAL	9938-340-OM1



FRONT ROUGH-IN VIEW

INSTALLATION INSTRUCTIONS:

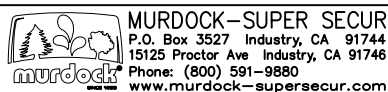
A- ROUGH-IN FOR THE FOLLOWING:

- WASTE OUTLET FOR 1-1/4" OD CLOSE ELBOW CONNECTION (1).
- SUPPLY CONNECTION TO 1/4" NCT x 4" LONG SUPPLY INLET (2). NOTE: SUPPLY STOP BY OTHERS IS RECOMMENDED.
- WALL ANCHORS BY OTHERS AT LOCATIONS INDICATED FOR $\phi 7/16$ " HOLE PUNCHING (3).
- 1/4-20 " FLOOR ANCHORS AT LOCATIONS INDICATED (4).

NOTE: ALL WALL AND FLOOR ANCHORING HARDWARE ARE PROVIDED BY THE INSTALLER.

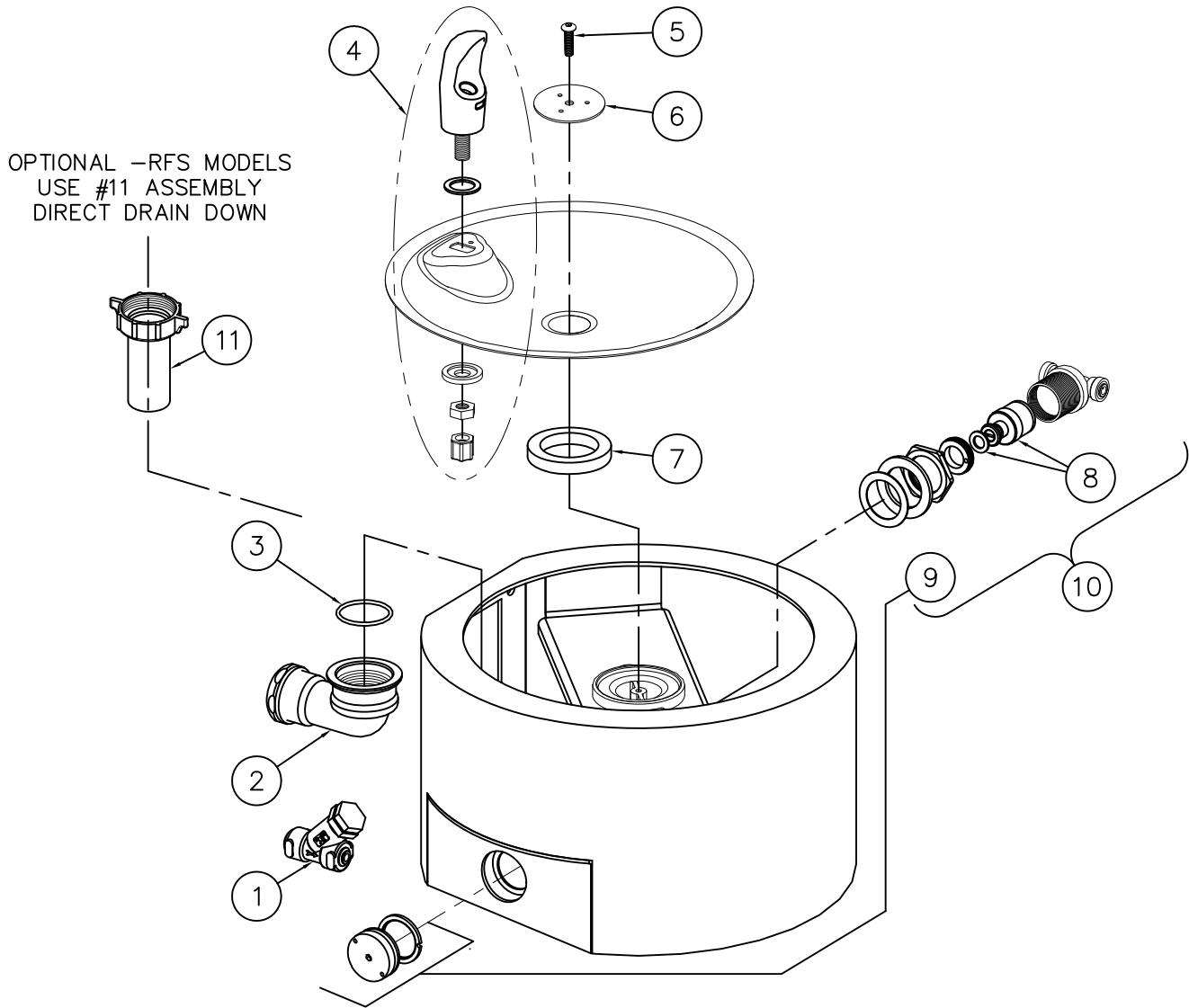
- B- FIX UNIT TO WALL AND FLOOR USING HARDWARE PROVIDED BY THE INSTALLER.
- C- MAKE UP WASTE CONNECTION TO 1-1/4" OD CLOSE ELBOW COMPRESSION CONNECTION PROVIDED (1).
- D- MAKE UP INLET CONNECTION TO 1/4" NCT x 4" LONG TUBE PROVIDED (2).

WARNING: SUPPLY LINE SHOULD BE FLUSHED OF ALL FOREIGN MATERIAL SUCH AS DOPE, CHIPS, SOLDER, ETC. VALVE MUST BE DRAINED PRIOR TO SUBJECT TO FREEZING TEMPERATURES.



MURDOCK-SUPER SECUR
P.O. Box 3527 Industry, CA 91744
15125 Proctor Ave Industry, CA 91746
Phone: (800) 591-9880
www.murdock-supersecur.com

TITLE		
ROUND WALL MOUNTED OUTDOOR STEEL PET FOUNTAIN		
MANUFACTURE DATE	DATE ISSUED	DRAWING NUMBER
JANUARY 2006 TO PRESENT	09/27/05	9938-149-001
	DATE REVISED	
	03/22/16	



1	7000-021-001	"Y" STRAINER	7	7000-006-000	FLAT DRAIN ADAPTER GASKET
2	7000-017-001	ELBOW ASSEMBLY	8	7000-050-001	VALVE CARTRIDGE
3	0401-128-000	O-RING	9	7000-068-001	RETAINING RING AND BUTTON ASSEMBLY
4	7000-012-001	STAINLESS STEEL BUBBLER	10	7000-065-001	RECESSED PUSHBUTTON VALVE ASSEMBLY
5	0112-008-000	1/4"-20 BTN HD CENTER REJECT SCREW	11	7000-032-001	1-1/4" OD x 2-3/4" LONG DRAIN ASSY
6	7007-008-199	STRAINER, PET FOUNTAIN			
ITEM	PART NUMBER	DESCRIPTION	ITEM	PART NUMBER	DESCRIPTION



MURDOCK-SUPER SECUR
P.O. Box 3527 Industry, CA 91744
15125 Proctor Ave Industry, CA 91746
Phone: (800) 591-9880
www.murdock-supersecur.com

TITLE ROUND OUTDOOR STEEL PET FOUNTAIN

MANUFACTURE DATE
JANUARY 2006
TO PRESENT

DATE ISSUED
11/11/05
DATE REVISED
03/22/16

DRAWING NUMBER
9938-149-500



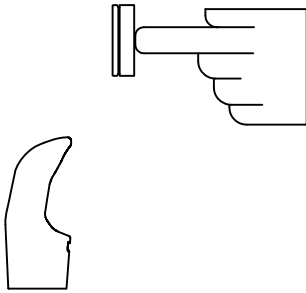
INSTALLATION INSTRUCTIONS

STANDARD PUSH PAD / PUSH BUTTON DRINKING FOUNTAIN

CONDITION:

SOLUTION:

NO WATER FLOW:



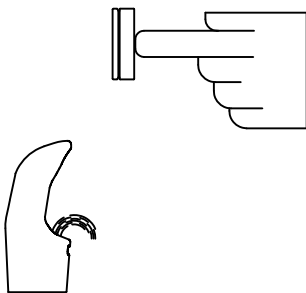
- 1.1 Check water main supply – open.
- 1.2 Inspect stop (by others) – open & no debris.
- 1.3 Inspect in–line strainer for debris – clean.
- 1.4 Replace valve cartridge.

WATER DRIPS / WILL NOT SHUT OFF:




- 2.1 For push pad activated drinking fountains only: Open fixture and move valve bracket assembly further back from push pad.
- 2.2 Replace valve cartridge.

REDUCED WATER FLOW:



- 3.1 Adjust the valve flow rate. See appropriate fixture installation instructions.
- 3.2 Check water main supply for 20 psig minimum flow pressure.
- 3.3 Inspect stop (by others) – open & no debris.
- 3.4 Inspect in–line strainer for debris – clean.
- 3.5 Inspect bubbler for debris – clean.
- 3.6 Inspect all tubing for twists or kinks.
- 3.7 Replace valve cartridge.

 MURDOCK-SUPER SECUR P.O. Box 3527 Industry, CA 91744 15125 Proctor Ave Industry, CA 91746 Phone: (800) 591-9880 www.murdock-supersecur.com	TITLE DRINKING FOUNTAIN VALVE MAINTENANCE INSTRUCTIONS		
	MANUFACTURE DATE JANUARY 2006 TO PRESENT	DATE ISSUED 09/28/05 DATE REVISED 03/02/16	DRAWING NUMBER 9940-200-001