



# CONTEMPORARY DRINKING FOUNTAINS

## GR Series

MODEL GRT75-PF  
OUTDOOR PET FOUNTAIN

### STANDARD FEATURES

- Resistant to sunlight, heat, moisture and wear
- 18 gage, 304 stainless steel bowl
- 12 gage, heavy duty steel receptor, corrosion and scratch resistant finish
- Polished stainless steel, anti-rotation non-squirt bubbler
- 100 mesh inlet strainer



### SUGGESTED SPECIFICATIONS

Model GRT75-PF is an on-the-floor, outdoor pet fountain intended for wall mounting. The unit shall be made from an 18 gage, 304 stainless steel bowl mounted into a green powder coated 12 gage, heavy duty stainless steel receptor. Unit shall be activated by a side mounted, foot operated, self-closing button, and requiring less than 5 pounds of force to operate. Internally mounted valve includes an adjustable stream regulator controlling the water flow. Bubbler shall be polished stainless steel with a non-squirt feature and operate on water pressure range of 20-105 psig. Unit shall adhere to NSF/ANSI 61, Section 9, Public Law 111-380 (NO-LEAD), and CHSC 116875.

### MODEL:

(Must Specify)

- GRT74-PF Satin stainless finish
  - GRT75-PF Green powder-coated (Shown)
  - GRT76-PF Red powder-coated
  - GRT77-PF Blue powder-coated
- Custom color finishes available upon request

### OPTIONS

(additional costs may be incurred)

- FRU1 Underground freeze-resistant valve for one bowl <sup>1</sup>
- NP1 Non-pollutable, freeze resistant valve <sup>1</sup>
- RFS Round free standing bowl

### Options Notes:

<sup>1</sup> See separate option sheet.

Complies with the following standards:



Member of U.S. Green Building Council



Recyclable Product



Water Conserving Product

**WARNING:** Cancer and Reproductive Harm - [www.P65Warnings.ca.gov](http://www.P65Warnings.ca.gov)

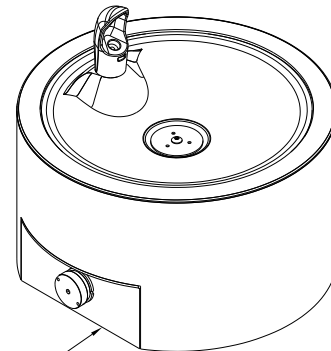
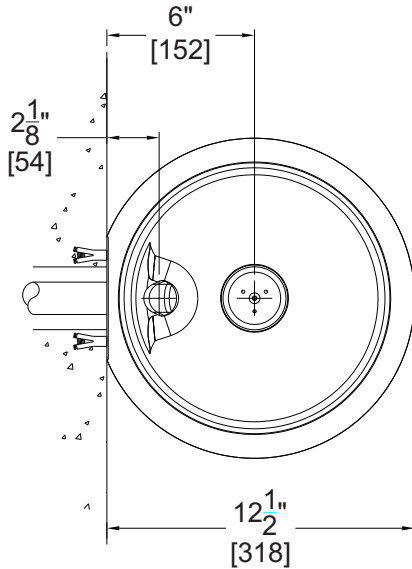
MURDOCK MFG. • 15125 Proctor Avenue • City of Industry, CA 91746 USA  
Phone 800-453-7465 or 626-333-2543 • Fax 626-855-4860 • [www.murdockmfg.com](http://www.murdockmfg.com)

Member of MORRIS GROUP INTERNATIONAL



# CONTEMPORARY DRINKING FOUNTAINS

## GR Series MODEL GRT75-PF OUTDOOR PET FOUNTAIN

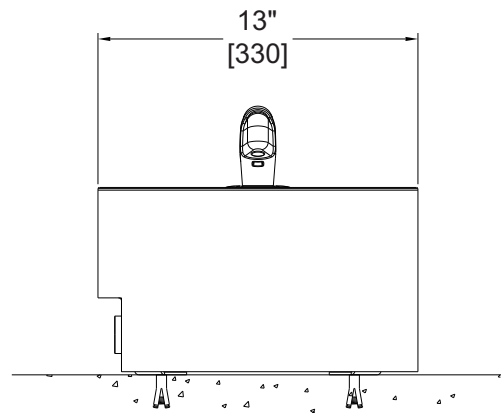
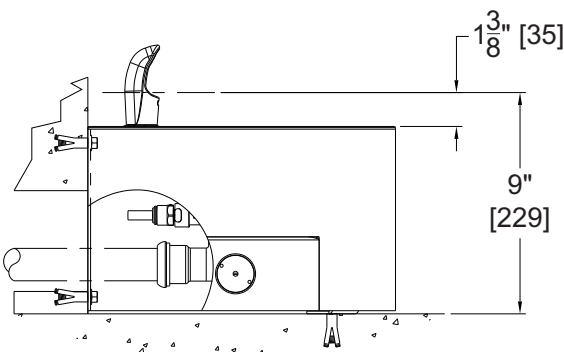


OPTIONAL  
GRT75-PF-RFS  
SHOWN

\* Valve specifications:  
Minimum/Maximum Pressure  
30 to 100 psi.

**GENERAL NOTES:**

1. ALL DIMENSIONS ARE IN INCHES [MM].
2. STOP VALVE NOT PROVIDED.



Murdock Mfg.™ warrants that its products are free from defects in material or workmanship under normal use and service for a period of one year from date of shipment. Murdock's liability under this warranty shall be discharged solely by replacement or repair of defective material, provided Murdock™ is notified in writing within one year from date of shipment, F.O.B. Industry, California.

SELECTION SUMMARY & APPROVAL FOR MANUFACTURING	Model Number & Options _____	Quantity _____	All dimensions are subject to manufactures tolerance of plus or minus 1/2" nominal and subject to change without notice. Murdock assumes no responsibility for use of void or superseded data. Dimensions may change with the addition of optional accessories. Murdock Mfg.™, Member of Morris Group International™. Please visit <a href="http://www.murdockmfg.com">www.murdockmfg.com</a> for most current specifications.
	Company _____		
	Contact _____	Title _____	
	Signature (Approval for Manufacturing) _____	Date _____	