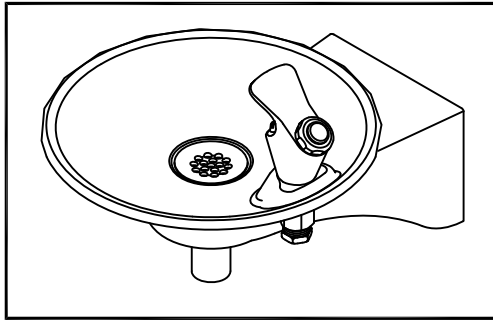
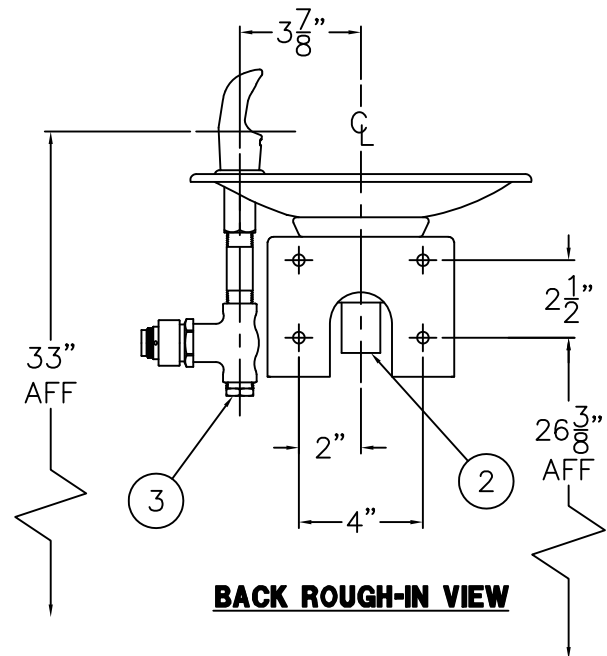
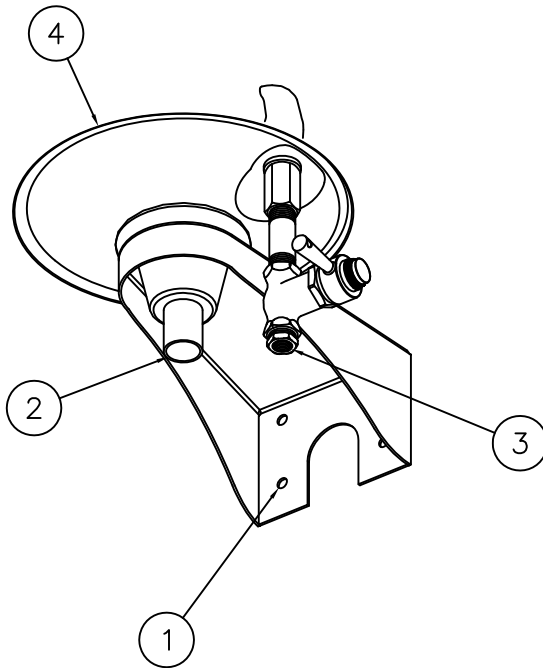
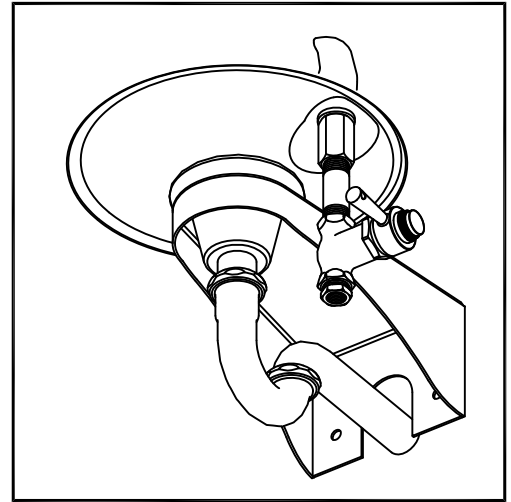


**PUSHBUTTON BUBBLER**



**OPTIONAL -PT1 1-1/4" O.D. P-TRAP**



**BACK ROUGH-IN VIEW**

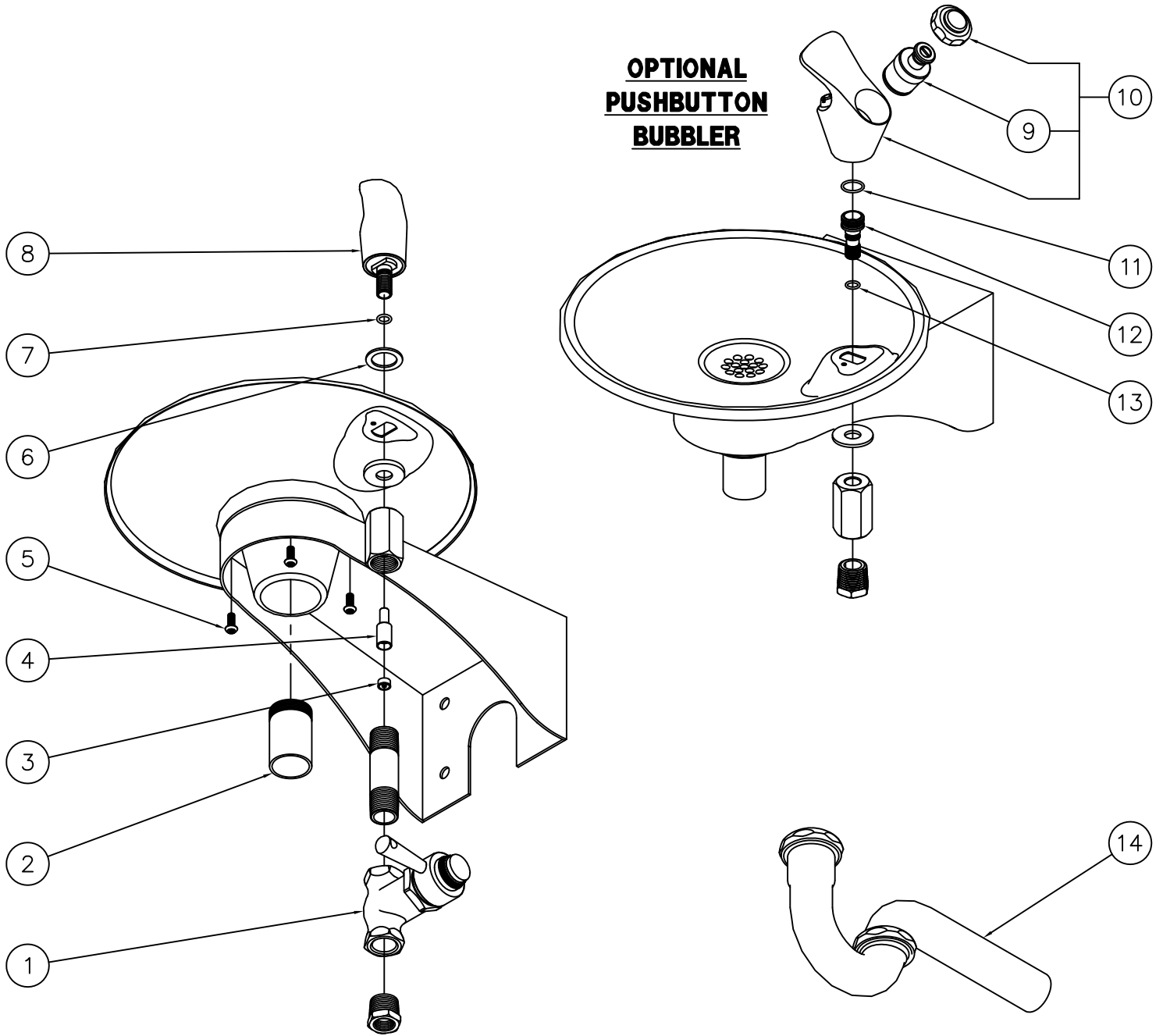
**INSTALLATION INSTRUCTIONS:**

- A- STRUCTURALLY REINFORCE THE WALL BEHIND THE FOUR 3/8" DIAMETER MOUNTING HOLES ① AT THE DIMENSIONS SHOWN AND INSTALL WALL ANCHORS BY OTHERS.
- B- ROUGH-IN WASTE OUTLET FOR THE 1-1/4" OUTER DIAMETER PLAIN END TAILPIECE ②.
- C- ROUGH-IN WATER SUPPLY ③ AT DIMENSION SHOWN FOR 3/8" NPT FEMALE LEVER VALVE SUPPLY INLET. RECOMMENDED UNION AND SHUTOFF VALVE TO BE SUPPLIED BY OTHERS.
- D- CAREFULLY REMOVE FIXTURE ④ AND COMPONENTS FROM THE PACKAGING PREVENTING SCRATCHING AND DAMAGE.
- E- SECURELY ANCHOR FIXTURE ④ TO WALL THRU MOUNTING HOLES ① WITH ANCHORING HARDWARE BY OTHERS.
- G- MAKE-UP 1-1/4" O.D. WASTE CONNECTION TO TAILPIECE ②.
- H- FLUSH WATER SUPPLY ③ BY OTHERS OF ALL DEBRIS PRIOR TO CONNECTING TO FIXTURE.
- I- CONNECT THE WATER SUPPLY ③ BY OTHERS TO 3/8" NPT FEMALE INLET. STOP ON THE SUPPLY IS RECOMMENDED.



MURDOCK-SUPER SECUR  
P.O. Box 3527 City of Industry, CA 91744  
Phone: (800) 591-9880  
www.murdock-supersecur.com

TITLE <b>ROUND BOWL WALL MOUNTED DRINKING FOUNTAIN</b>		
MANUFACTURE DATE <b>JANUARY 2006 TO PRESENT</b>	DATE ISSUED <b>10-21-08</b>	DRAWING NUMBER <b>9938-250-0M1</b>
	DATE REVISED <b>05/20/16</b>	



**OPTIONAL -PT1 1-1/4" O.D. P-TRAP**

1	7018-010-199	SELF CLOSING LEVER VALVE	8	7018-112-199	SOLID STAINLESS STEEL BUBBLER
2	4952-002-000	1-1/4" OUTER DIAMETER TAILPIECE	9	7000-060-000	VALVE CARTRIDGE
3	0471-010-000	FLOW REGULATOR	10	2990-013-002	DECK MOUNTED SST PUSHBUTTON BUBBLER
4	7018-008-199	FLOW REGULATOR ADAPTER	11	0404-015-000	O-RING
5	0112-056-000	CENTER REJECT ALLEN BUTTON HEAD SCREW	12	7018-011-199	BUBBLER ADAPTER
6	7000-007-000	BUBBLER GASKET	13	0404-011-000	O-RING
7	0404-011-000	O-RING	14	4953-002-000	1-1/4" x 1-1/4" OUTER DIAMETER P-TRAP
ITEM	PART NUMBER	DESCRIPTION	ITEM	PART NUMBER	DESCRIPTION



MURDOCK-SUPER SECUR  
P.O. Box 3527 Industry, CA 91744  
15125 Proctor Ave Industry, CA 91746  
Phone: (800) 591-9880  
www.murdock-supersecur.com

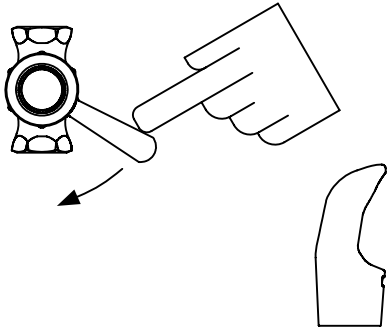

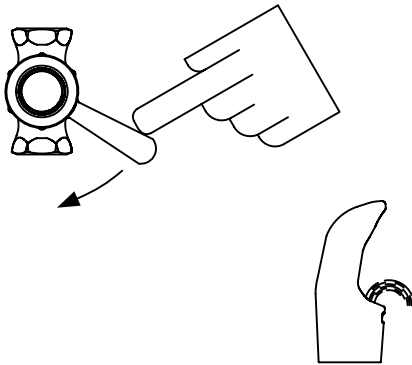
**TITLE ROUND BOWL WALL MOUNTED DRINKING FOUNTAIN**

MANUFACTURE DATE  
**JANUARY 2006  
TO PRESENT**


DATE ISSUED  
**10/21/08**  
DATE REVISED  
**05/20/16**

DRAWING NUMBER  
**9938-250-5M0**

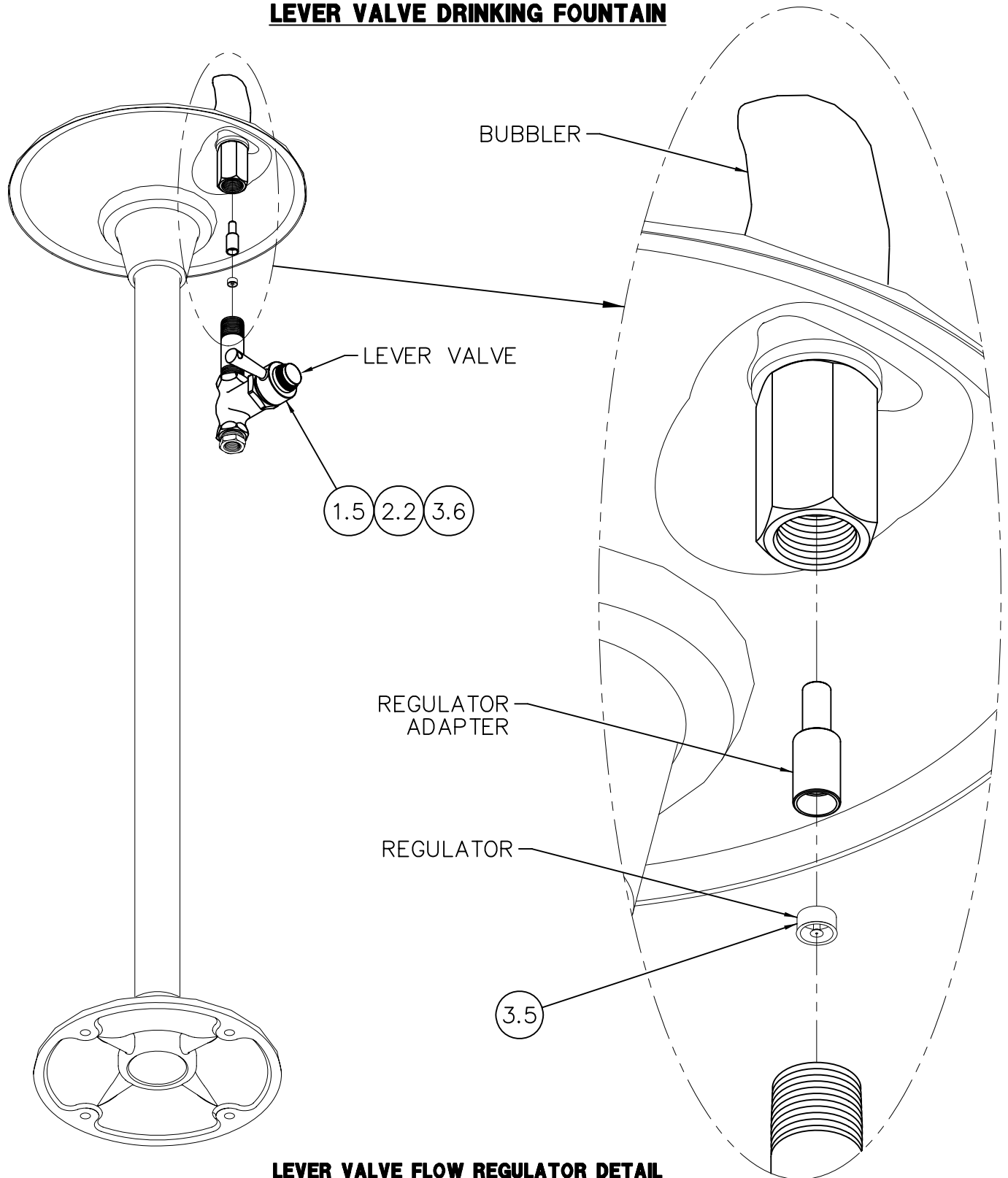
**LEVER VALVE DRINKING FOUNTAIN**

<b>CONDITION:</b>	<b>SOLUTION:</b>
<p><b>NO WATER FLOW:</b></p> 	<ol style="list-style-type: none"> <li>1.1 Check water main supply – open.</li> <li>1.2 Inspect stop (by others) – open &amp; no debris.</li> <li>1.3 Inspect strainer (by others) for debris – clean.</li> <li>1.4 Inspect flow regulator for debris – clean or replace.</li> <li>1.5 Replace lever valve.</li> </ol>
<p><b>WATER DRIPS / WILL NOT SHUT OFF:</b></p> 	<ol style="list-style-type: none"> <li>2.1 Inspect lever valve for debris – clean.</li> <li>2.2 Replace lever valve.</li> </ol>
<p><b>REDUCED WATER FLOW:</b></p> 	<ol style="list-style-type: none"> <li>3.1 Check water main supply for 20 psig minimum flow pressure.</li> <li>3.2 Inspect stop (by others) – open &amp; no debris.</li> <li>3.3 Inspect strainer (by others) for debris – clean.</li> <li>3.4 Inspect bubbler for debris – clean.</li> <li>3.5 Inspect flow regulator for debris – clean or replace.</li> <li>3.6 Replace lever valve.</li> </ol>

Refer to drawing #9940-206-OM1 for Lever Valve Maintenance Detail to locate solutions above.


 <p>MURDOCK-SUPER SECUR P.O. Box 3527 City of Industry, CA 91744 Phone: (800) 591-9880 www.murdock-supersecure.com</p>	<p>TITLE <b>LEVER DRINKING FOUNTAIN VALVE MAINTENANCE INSTRUCTIONS</b></p>		
	<p>MANUFACTURE DATE <b>JANUARY 2006 TO PRESENT</b></p>	<p>DATE ISSUED <b>10/21/08</b></p> <p>DATE REVISED</p>	<p>DRAWING NUMBER <b>9940-205-0M1</b></p>

**LEVER VALVE DRINKING FOUNTAIN**



**LEVER VALVE FLOW REGULATOR DETAIL**

Refer to drawing #9940-205-0M1 for Valve Maintenance Instructions numbered solutions detailed above.

 <p>MURDOCK-SUPER SECUR P.O. Box 3527 City of Industry, CA 91744 Phone: (800) 591-9880 www.murdock-supersecur.com</p>	<p>TITLE <b>LEVER VALVE MAINTENANCE INSTRUCTIONS</b></p>		
	<p>MANUFACTURE DATE</p> <p><b>JANUARY 2006</b></p> <p><b>TO PRESENT</b></p>	<p>DATE ISSUED</p> <p><b>10/21/08</b></p> <p>DATE REVISED</p>	<p>DRAWING NUMBER</p> <p><b>9940-206-0M1</b></p>