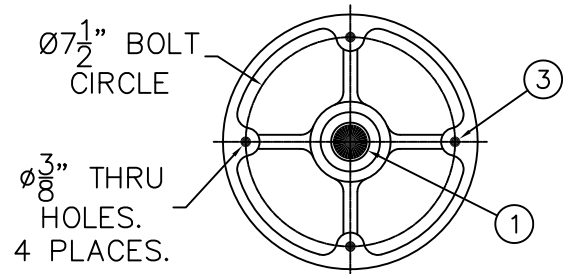
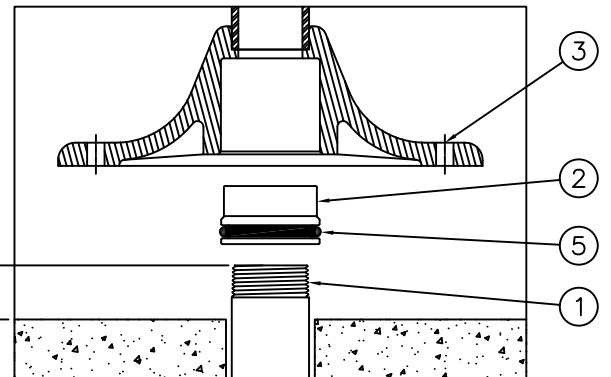
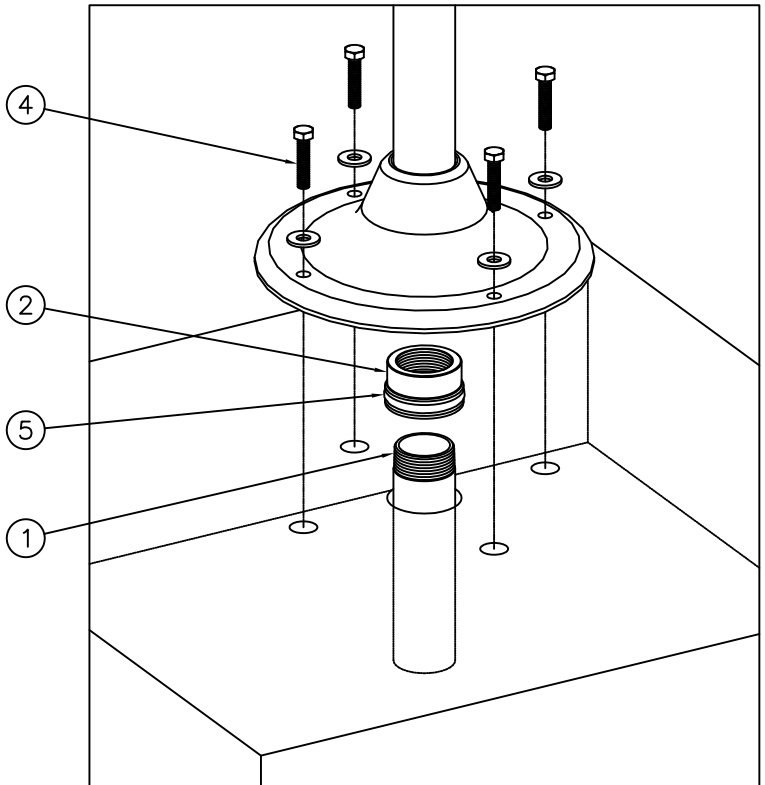
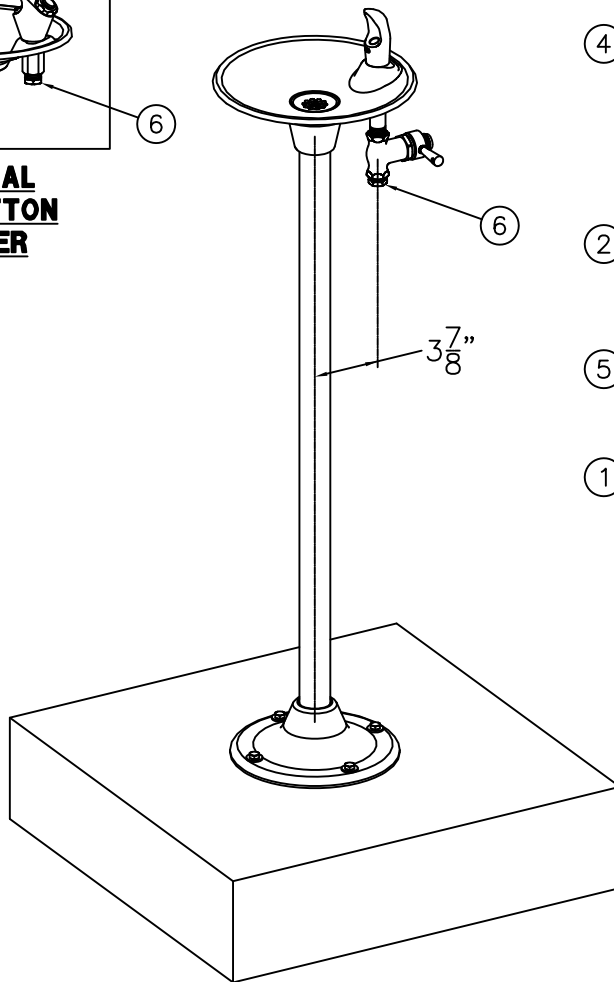


**OPTIONAL  
PUSHBUTTON  
BUBBLER**



**BASE FOOTPRINT**

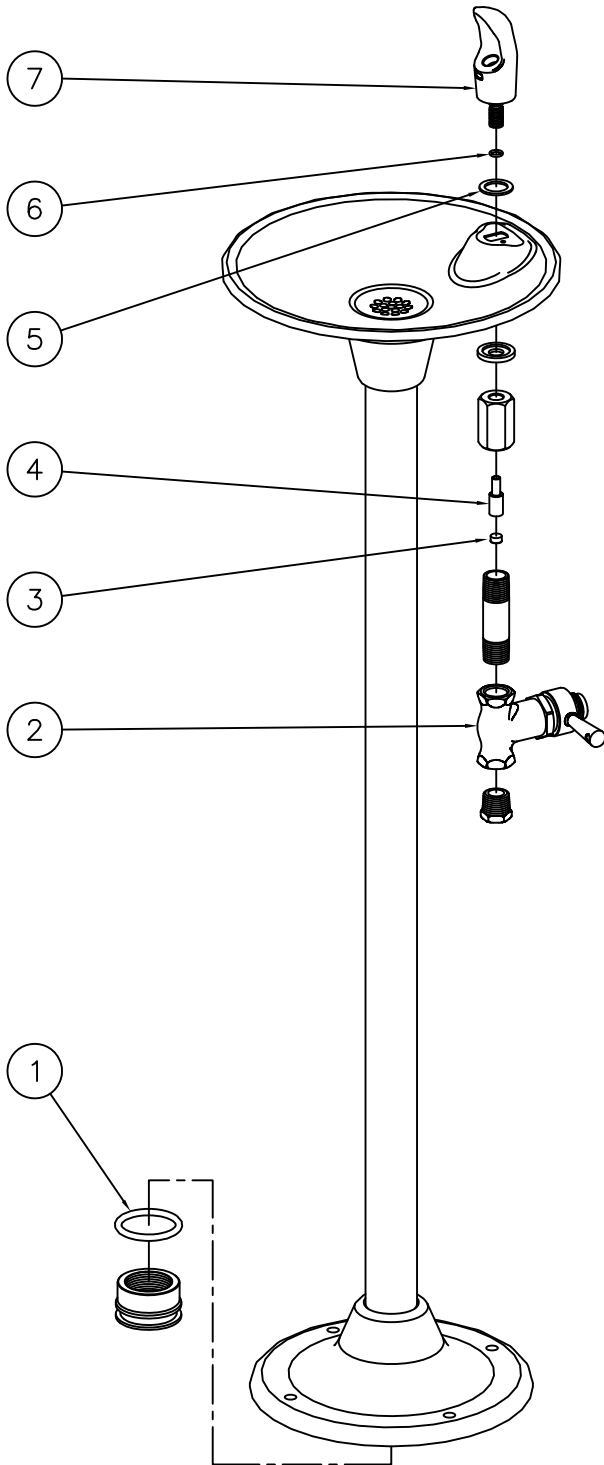
**INSTALLATION INSTRUCTIONS:**

- A- PROVIDE STRUCTURALLY SOUND FOUNDATION FOR ANCHORING OF FOUNTAIN WHERE WATER WILL NOT POOL AND ROUGH-IN WASTE OUTLET (1) 2" HIGH ( $\pm 3/8$ ") AT FOUNTAIN CENTERLINE FOR 1-1/4" NPT FEMALE WASTE OUTLET ADAPTER (2).
- B- PROVIDE FOUR FLOOR ANCHORING LOCATIONS AS SHOWN IN BASE FOOTPRINT DETAIL. HOLES (3) THRU BASE ARE 3/8" DIAMETER. FLOOR ANCHORS AND ANCHORING HARDWARE (4) TO BE PROVIDED BY INSTALLER.
- C- ASSEMBLE WASTE ADAPTER (2) TO 1-1/4" NPT WASTE PIPE (1) BY OTHERS. DO NOT DAMAGE O-RING (5) ON ADAPTER.
- D- LUBRICATE O-RING (5). O-RING LUBRICANT TO BE PROVIDED BY INSTALLER. CAREFULLY SET FOUNTAIN STRAIGHT DOWN OVER THE WASTE ADAPTER (2) WITHOUT JAMMING TO ENSURE THE O-RING (5) DOES NOT ROLL OFF ADAPTER (2).
- E- SECURE FOUNTAIN TO FOUNDATION USING HARDWARE (4) BY OTHERS.
- F- PROVIDE WATER SUPPLY WITH UNION AND SHUTOFF VALVE BY OTHERS TO 3/8" NPT FEMALE INLET (6). NOTE: FLUSH WATER SUPPLY OF ALL DEBRIS PRIOR TO CONNECTING TO FOUNTAIN.

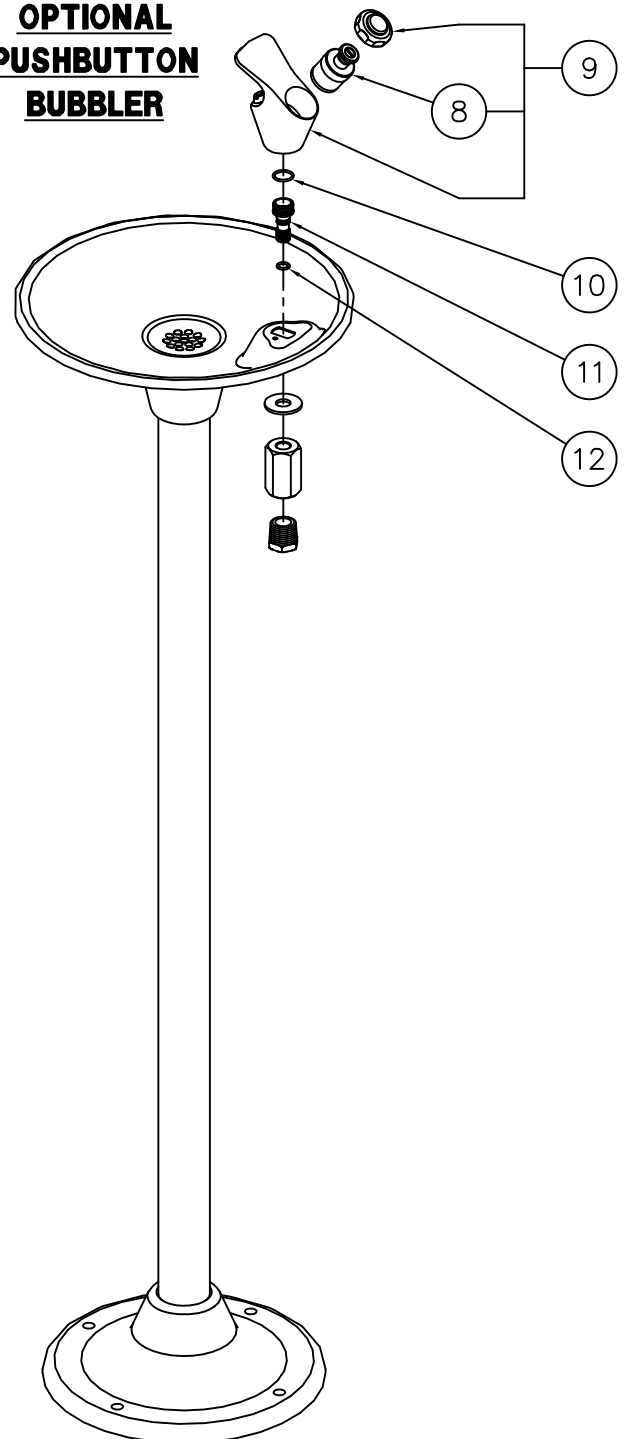


MURDOCK-SUPER SECURE  
P.O. Box 3527 City of Industry, CA 91744  
Phone: (800) 591-9880  
www.murdock-supersecure.com

TITLE <b>STEEL PIPE PEDESTAL MOUNTED DRINKING FOUNTAIN</b>		
MANUFACTURE DATE <b>JANUARY 2006 TO PRESENT</b>	DATE ISSUED <b>10/21/08</b>	DRAWING NUMBER <b>9938-255-0M1</b>
	DATE REVISED <b>08/14/12</b>	



**OPTIONAL  
PUSHBUTTON  
BUBBLER**



1	0401-327-000	O-RING	7	7018-112-199	SOLID STAINLESS STEEL BUBBLER
2	7018-010-199	SELF CLOSING LEVER VALVE	8	7000-060-000	VALVE CARTRIDGE
3	0471-010-000	FLOW REGULATOR	9	2990-013-002	DECK MOUNTED SST PUSHBUTTON BUBBLER
4	7018-008-199	FLOW REGULATOR ADAPTER	10	0404-015-000	O-RING
5	7000-007-000	BUBBLER GASKET	11	7018-011-199	BUBBLER ADAPTER
6	0404-011-000	O-RING	12	0404-011-000	O-RING
ITEM	PART NUMBER	DESCRIPTION	ITEM	PART NUMBER	DESCRIPTION



MURDOCK-SUPER SECUR  
P.O. Box 3527 Industry, CA 91744  
15125 Proctor Ave Industry, CA 91746  
Phone: (800) 591-9880  
www.murdock-supersecur.com

TITLE

**STEEL PIPE PEDESTAL MOUNTED DRINKING FOUNTAIN**

MANUFACTURE DATE

**JANUARY 2006  
TO PRESENT**

DATE ISSUED

**10/21/08**

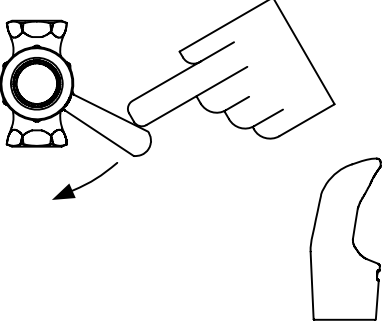

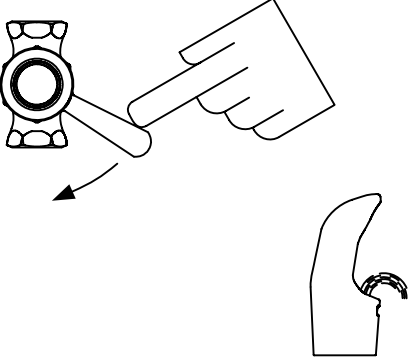
DATE REVISED

**05/19/16**


DRAWING NUMBER

**9938-255-5M0**

**LEVER VALVE DRINKING FOUNTAIN**

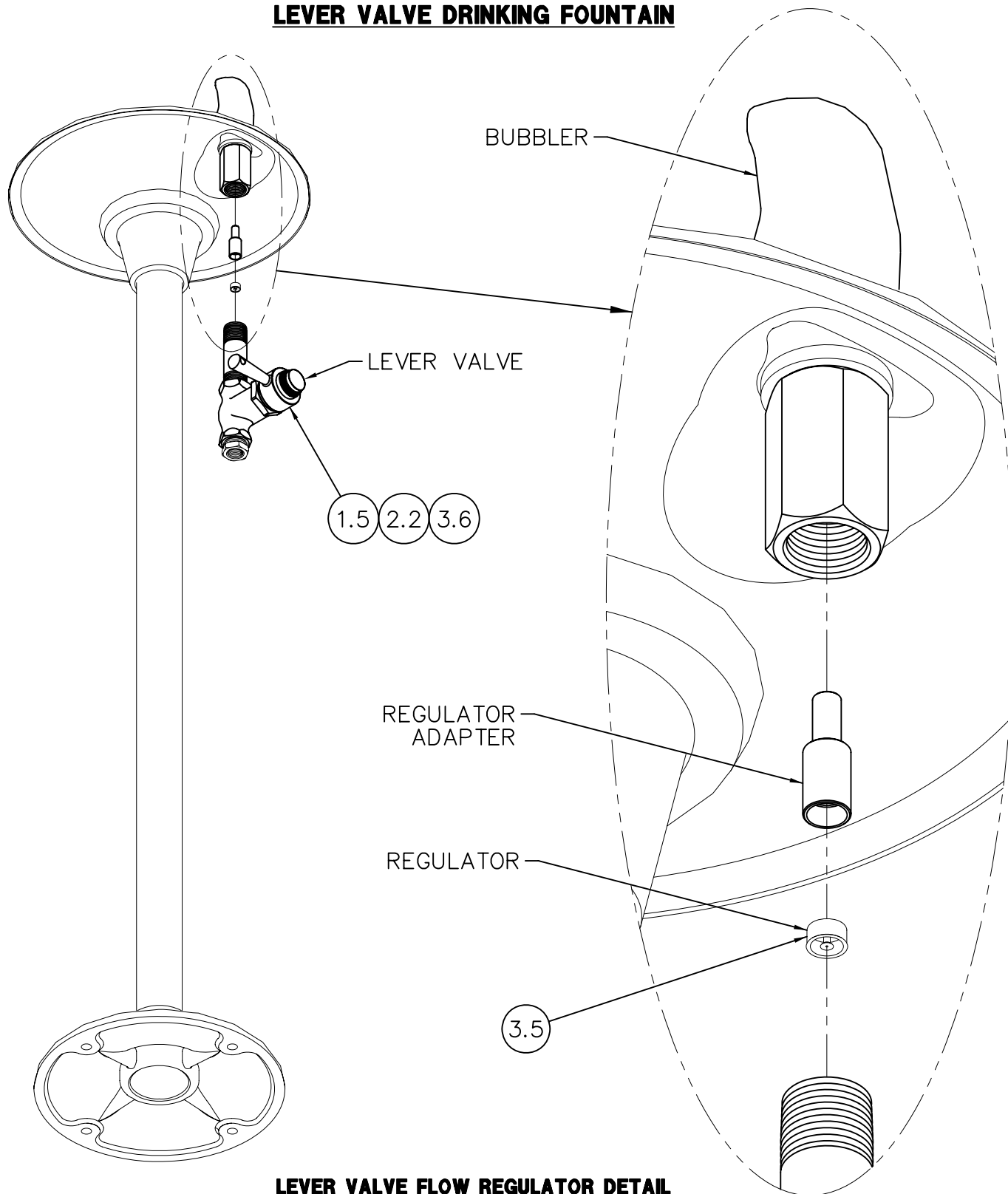
<b>CONDITION:</b>	<b>SOLUTION:</b>
<p><b>NO WATER FLOW:</b></p> 	<ol style="list-style-type: none"> <li>1.1 Check water main supply – open.</li> <li>1.2 Inspect stop (by others) – open &amp; no debris.</li> <li>1.3 Inspect strainer (by others) for debris – clean.</li> <li>1.4 Inspect flow regulator for debris – clean or replace.</li> <li>1.5 Replace lever valve.</li> </ol>
<p><b>WATER DRIPS / WILL NOT SHUT OFF:</b></p> 	<ol style="list-style-type: none"> <li>2.1 Inspect lever valve for debris – clean.</li> <li>2.2 Replace lever valve.</li> </ol>
<p><b>REDUCED WATER FLOW:</b></p> 	<ol style="list-style-type: none"> <li>3.1 Check water main supply for 20 psig minimum flow pressure.</li> <li>3.2 Inspect stop (by others) – open &amp; no debris.</li> <li>3.3 Inspect strainer (by others) for debris – clean.</li> <li>3.4 Inspect bubbler for debris – clean.</li> <li>3.5 Inspect flow regulator for debris – clean or replace.</li> <li>3.6 Replace lever valve.</li> </ol>

Refer to drawing #9940-206-OM1 for Lever Valve Maintenance Detail to locate solutions above.

 <p>MURDOCK-SUPER SECUR P.O. Box 3527 City of Industry, CA 91744 Phone: (800) 591-9880 www.murdock-supersecure.com</p>	<b>TITLE</b> <b>LEVER DRINKING FOUNTAIN VALVE MAINTENANCE INSTRUCTIONS</b>		
	<p>MANUFACTURE DATE</p> <p><b>JANUARY 2006</b></p> <p><b>TO PRESENT</b></p>	<p>DATE ISSUED</p> <p><b>10/21/08</b></p> <p>DATE REVISED</p>	<p>DRAWING NUMBER</p> <p><b>9940-205-0M1</b></p>



**LEVER VALVE DRINKING FOUNTAIN**



**LEVER VALVE FLOW REGULATOR DETAIL**

Refer to drawing #9940-205-0M1 for Valve Maintenance Instructions numbered solutions detailed above.

<p>MURDOCK-SUPER SECUR P.O. Box 3527 City of Industry, CA 91744 Phone: (800) 591-9880 www.murdock-supersecur.com</p>	<p>TITLE <b>LEVER VALVE MAINTENANCE INSTRUCTIONS</b></p>		
	<p>MANUFACTURE DATE</p> <p><b>JANUARY 2006</b></p> <p><b>TO PRESENT</b></p>	<p>DATE ISSUED</p> <p><b>10/21/08</b></p> <p>DATE REVISED</p>	<p>DRAWING NUMBER</p> <p><b>9940-206-0M1</b></p>