



# CONTEMPORARY HAND WASH BASIN

## GW Series

### MODEL GWQ84

### Wash-N-Go!™

PEDESTAL MOUNTED BOTTLE FILLER WITH DRINKING FOUNTAIN AND HAND WASH BASIN

#### STANDARD FEATURES

- Adult ADA compliant
- Pushbutton and hands free sensor operated bottle filler
- Stainless steel, anti-rotation non-squirt bubbler
- Hands free sensor faucet or hand operation
- Resistant to sunlight, heat, moisture and wear
- 16 Gage, 304 stn stl hand wash basin
- 18 Gage, 304 stn stl drinking fountain bowls
- 12 Gage, heavy duty stn stl construction with corrosion and scratch resistant finish
- 100 mesh inlet strainer
- Lead and cyst filter (Not available with FRU option)
- Access cover, heavy duty stn stl vandal resistant

#### SUGGESTED SPECIFICATIONS

Pedestal mounted hand wash with bottle filler and drinking fountain shall be Murdock model GWQ84 series. Construction shall be 12 gage, all stainless steel with 18 gage stainless steel fountain bowl and 16 gage stainless steel hand wash basin. Hand wash shall be activated by a 9 Volt DC hands free sensor operated battery faucet with 0.5 GPM Laminar flow outlet to minimize splash (specify faucet operation). Pedestal shall have four mounting holes. Access covers shall be secured with vandal-resistant stainless steel screws. Bottle filler shall be activated by a 9 volt sensor or a pushbutton as standard. Unit shall contain a 100 mesh inlet strainer, lead and cyst filter. Bottle filler to include 6-AA battery pack and laminar flow spout. Self-closing pushbuttons, needing less than 5 pounds force, shall activate internally mounted valves with adjustable stream regulators. Bubblers shall be stainless steel with non-squirt feature and operate on water pressure range of 20-105 psig. Unit to comply with ANSI A117.1, Public Law 111-380 (NO-LEAD), CHSC 116875 and NSF/ANSI 61, Section 9. Fixture meets ADA and ADA Standing Person, requirements when mounted appropriately.



Model GWQ85-SO-PF Shown

#### MODEL:

(Must Specify)

- GWQ84 Satin Stainless Finish
- GWQ85 Green Powder-Coated (Shown)
- GWQ86 Red Powder-Coated
- GWQ87 Blue Powder-Coated

Custom color finishes available upon request.

#### WASH BASIN OPERATION:

(Must Specify)

- SO-BAT Sensor operation, Battery powered faucet
- SO Sensor operation faucet, Plug-In transformer
- H Slow self closing metering faucet

#### OPTIONAL ACCESSORIES:

(additional costs may be incurred)

- GW000-SH Pump Soap Holder
- IAP In-ground anchor plate <sup>1</sup>
- IGM In-ground 14" mounting
- LOGO Customer specified logo
- MO Bottle filler operated by pushbutton only
- PF Pet fountain <sup>1</sup>
- WF3 Water filter - 3000 Gallon capacity <sup>1</sup>

Contact factory for freeze resistant models.

Options Notes:

<sup>1</sup> See separate option sheet.

Complies with the following standards:



Member of U.S. Green Building Council



Recyclable Product



Water Conserving Product

⚠ WARNING: Cancer and Reproductive Harm - [www.P65Warnings.ca.gov](http://www.P65Warnings.ca.gov)

MURDOCK MFG. • 15125 Proctor Avenue • City of Industry, CA 91746 USA  
Phone 800-453-7465 or 626-333-2543 • Fax 626-855-4860 • [www.murdockmfg.com](http://www.murdockmfg.com)

Member of MORRIS GROUP INTERNATIONAL

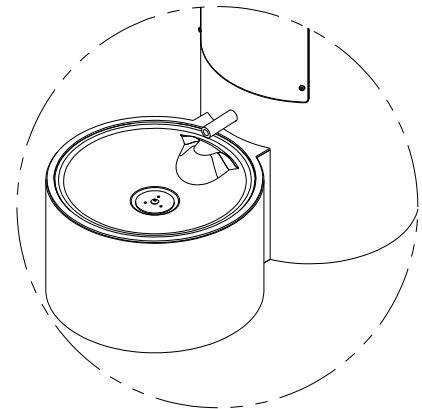
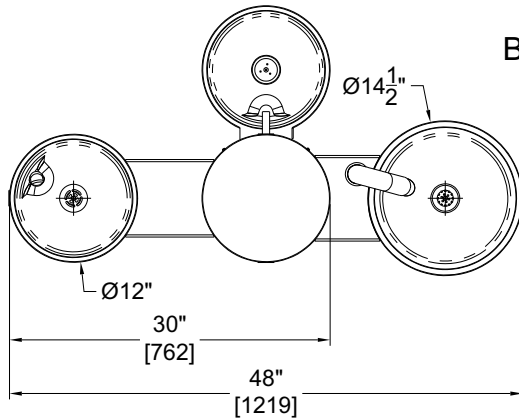


# CONTEMPORARY HAND WASH BASIN

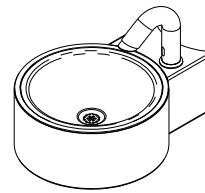
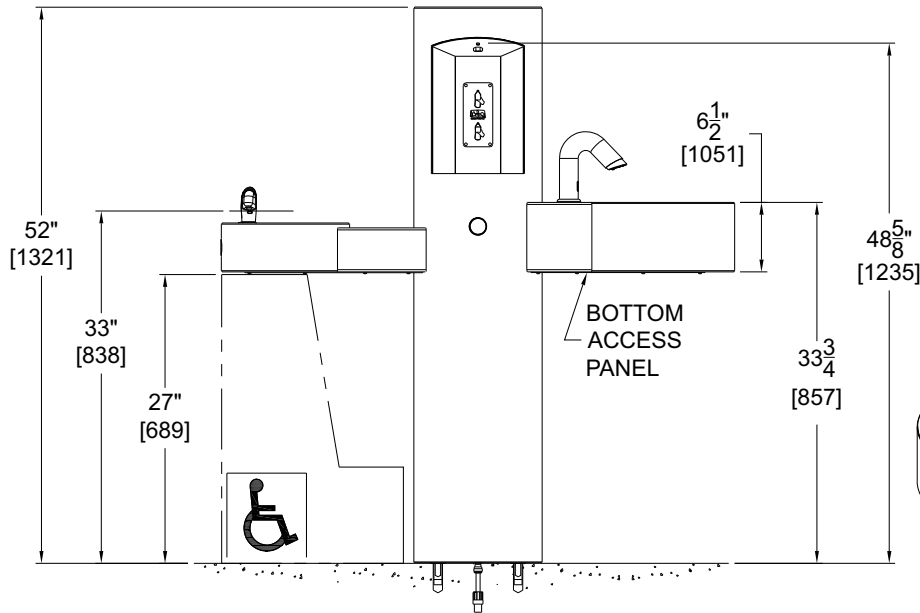
\* Valve specifications:  
Minimum/Maximum Pressure  
30 to 100 psi.

## GW Series

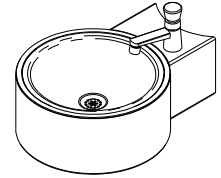
### MODEL GWQ84 PEDESTAL HAND WASH BASIN WITH BOTTLE FILLER AND DRINKING FOUNTAIN



**OPTIONAL -PF PET  
FOUNTAIN  
DETAIL**



GWQ74-SO



GWQ74-H

Murdock Mfg.™ warrants that its products are free from defects in material or workmanship under normal use and service for a period of one year from date of shipment. Murdock's liability under this warranty shall be discharged solely by replacement or repair of defective material, provided Murdock™ is notified in writing within one year from date of shipment, F.O.B. Industry, California.

**SELECTION SUMMARY  
& APPROVAL FOR  
MANUFACTURING**

Model Number & Options \_\_\_\_\_ Quantity \_\_\_\_\_

Company \_\_\_\_\_

Contact \_\_\_\_\_ Title \_\_\_\_\_

Signature \_\_\_\_\_ Date \_\_\_\_\_  
(Approval for Manufacturing)

All dimensions are subject to manufactures tolerance of plus or minus 1/2" nominal and subject to change without notice. Murdock assumes no responsibility for use of void or superseded data. Dimensions may change with the addition of optional accessories. Murdock Mfg.™, Member of Morris Group International™. Please visit [www.murdockmfg.com](http://www.murdockmfg.com) for most current specifications.

**MURDOCK MFG.** • 15125 Proctor Avenue • City of Industry, CA 91746 USA  
Phone 800-453-7465 or 626-333-2543 • Fax 626-855-4860 • [www.murdockmfg.com](http://www.murdockmfg.com)

Member of  
**MORRIS GROUP  
INTERNATIONAL**