



# TRADITIONAL DRINKING FOUNTAINS

## Architectural Series

**MODEL M-43C**  
DRINKING FOUNTAIN  
WITH BOWL ON PEDESTAL

### STANDARD FEATURES

Model M-43C features design simplicity. This single fountain unit includes a pedestal mounted bowl and stainless steel bubbler operated by separate pushbutton control. Standard model is seasonal, not freeze resistant. Heavy duty construction ensures durability. Field serviceable components are easily accessible. Solid brass casting for bowl is *Penny Vein* powder coated and base/arm is finished in *Chestnut Brown*.

### SUGGESTED SPECIFICATIONS

Drinking fountain shall be Murdock model M-43C. Unit shall be furnished with a pedestal mounted bowl.

Pedestal shall be heavy duty iron casting and base of pedestal shall have four mounting holes. Pedestal shall be furnished with a heavy grade of oil based enamel.

Bowl shall be octagonal, powder coated, solid brass casting. Pet Fountain options provide a cast aluminum bowl with matte finish.

Valve shall be self-closing, pushbutton operated, incorporating a replaceable cartridge and requiring less than 5 pounds of force to operate. Valve shall include an adjustable stream regulator controlling the water.

Bubbler shall be stainless steel and operate on a water pressure range of 30 - 105 psig.

All solid brass castings shall conform to ASTM standards B61 and B62. Unit is certified to Public Law 111-380 (NO-LEAD), CHSC 116875 and NSF/ANSI 61, Section 9.



(Shown with optional chrome plated bowl)

**Standard Model:** M-43C

### OPTIONS

(additional costs may be incurred)

- CH30 Added arm and bowl with bubbler at 30" disabled child height <sup>1</sup>
- FRU1 Underground freeze-resistant valve for one bowl <sup>1</sup>
- FRU2 Underground freeze-resistant valve for two bowls
- HB1 Hose bibb with vacuum breaker <sup>1 2</sup>
- JF1 Jug filler with self-closing spigot valve <sup>1 2</sup>
- JF2 Jug filler with pushbutton valve <sup>1</sup>
- PF Pet fountain with pushbutton valve <sup>1</sup>
- PFS Pet fountain with self-closing spigot valve <sup>1 2</sup>
- Chrome plated cast brass drinking fountain bowl
- **Black** Pedestal color black
- **Green** Pedestal color green

#### Options Notes:

<sup>1</sup> See separate option sheet.

<sup>2</sup> This option is not available freeze-resistant.

Custom color finishes available upon request.

Complies with the following standards:



Federal Public Law 111-380 (No Lead)



Member of U.S. Green Building Council



Recyclable Product



Water Conserving Product

**WARNING:** Cancer and Reproductive Harm - [www.P65Warnings.ca.gov](http://www.P65Warnings.ca.gov)

**MURDOCK MFG.** • 15125 Proctor Avenue • City of Industry, CA 91746 USA  
Phone 800-453-7465 or 626-333-2543 • Fax 626-855-4860 • [www.murdockmfg.com](http://www.murdockmfg.com)

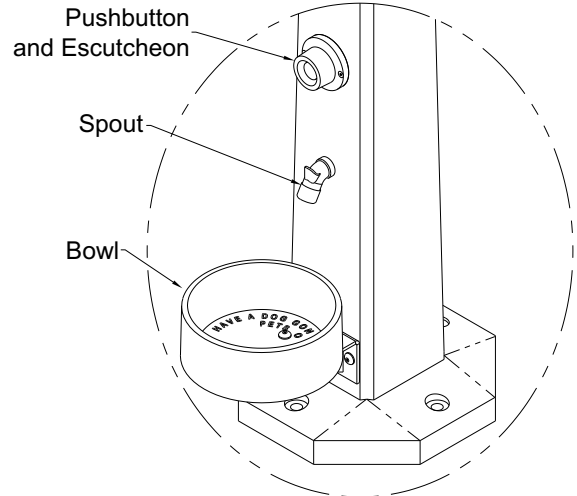
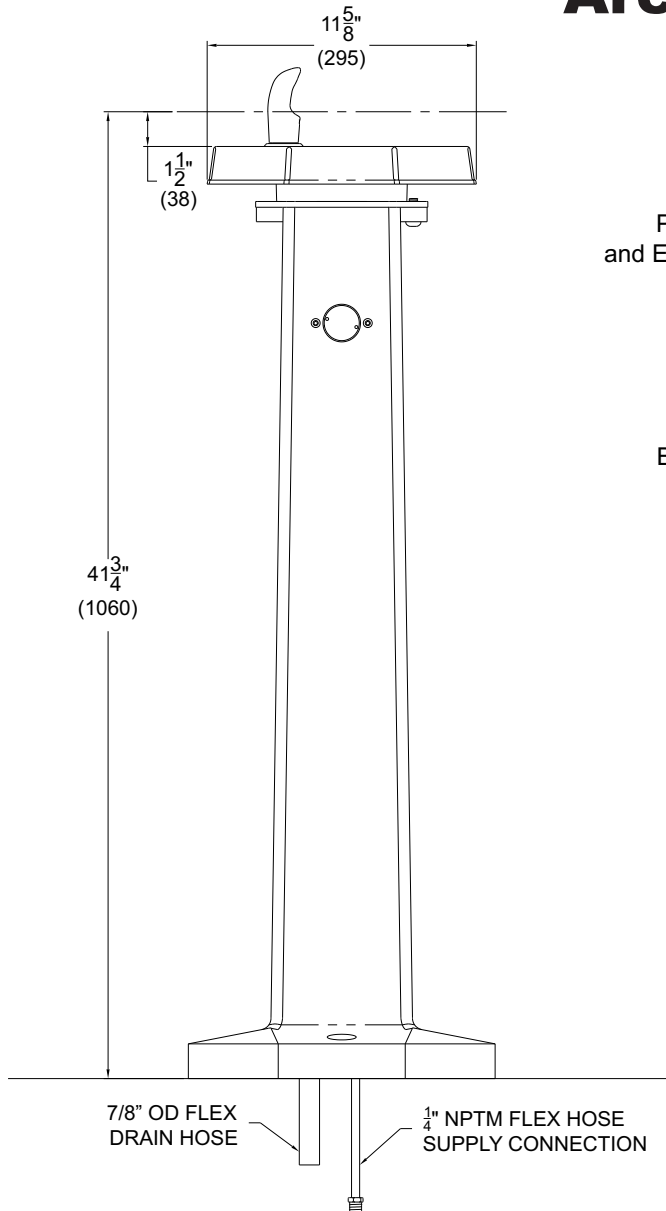
Member of **MORRIS GROUP INTERNATIONAL**



# TRADITIONAL DRINKING FOUNTAINS

## Architectural Series

### MODEL M-43C DRINKING FOUNTAIN WITH BOWL ON PEDESTAL



OPTIONAL -PF PET FOUNTAIN

\* Valve specifications:  
Minimum/Maximum Pressure  
30 to 100 psi.

Murdock Mfg.™ warrants that its products are free from defects in material or workmanship under normal use and service for a period of one year from date of shipment. Murdock's liability under this warranty shall be discharged solely by replacement or repair of defective material, provided Murdock™ is notified in writing within one year from date of shipment, F.O.B. Industry, California.

SELECTION SUMMARY & APPROVAL FOR MANUFACTURING	Model Number & Options _____	Quantity _____	All dimensions are subject to manufactures tolerance of plus or minus 1/2" nominal and subject to change without notice. Murdock assumes no responsibility for use of void or superseded data. Dimensions may change with the addition of optional accessories. Murdock Mfg.™, Member of Morris Group International™. Please visit <a href="http://www.murdockmfg.com">www.murdockmfg.com</a> for most current specifications.
	Company _____		
	Contact _____	Title _____	
	Signature (Approval for Manufacturing) _____	Date _____	

MURDOCK MFG. • 15125 Proctor Avenue • City of Industry, CA 91746 USA  
Phone 800-453-7465 or 626-333-2543 • Fax 626-855-4860 • [www.murdockmfg.com](http://www.murdockmfg.com)

Member of MORRIS GROUP INTERNATIONAL