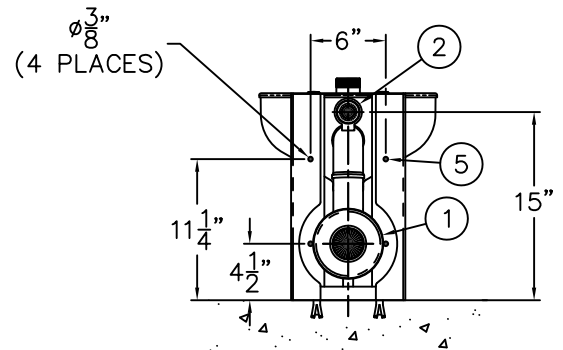
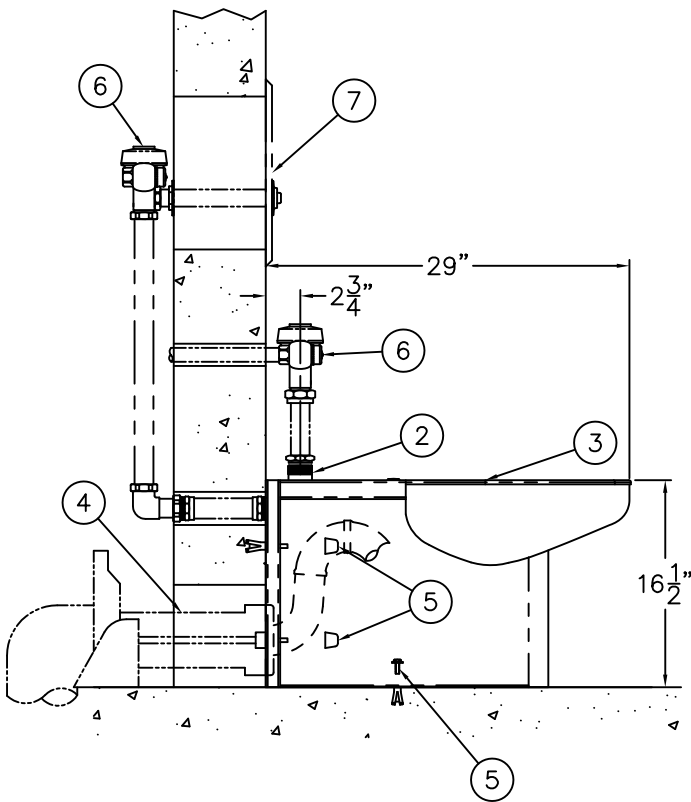


NOTE:

BEFORE INSTALLING FIXTURE ENSURE MOUNTING AND CONNECTION DIMENSIONS MATCH.

IF A #2898 FLUSH VALVE ACCESS PANEL (7) IS REQUIRED (FOR CONCEALED FLUSH VALVES), INSTALL SLEEVE. SEE DRAWING #9908-399-001.



INSTALLATION INSTRUCTIONS:

A-DISCONNECT AND REMOVE EXISTING FIXTURE. CLEAN AND REMOVE ALL DEBRIS FROM WASTE CONNECTION (1) AND FLUSHING INLET CONNECTION (2).

B-ROUGH-IN FOR THE FOLLOWING:
 5-1/2" DIA. GASKET WASTE (1).
 1-1/2" NPT FLUSHING INLET CONNECTION (2).

C-CONNECT FIXTURE (3) TO EXISTING WASTE FITTING (4) AND SECURE TO WALL AND FLOOR WITH ANCHORS AND ANCHORING HARDWARE (5) BY OTHERS.

D-RECONNECT FLUSH VALVE (6).

<p>ACORN ENGINEERING COMPANY P.O. BOX 3527 INDUSTRY, CA. 91744 (626) 336-4561 FAX (626) 961-2200</p>	TITLE SIPHON JET - ON THE FLOOR - #R2115		
	MANUFACTURE DATE AUGUST 2010 TO PRESENT	DATE ISSUED 08/31/10	DRAWING NUMBER 9908-404-001
		DATE REVISED	