

# Model WXTP

## Water Thermal Expansion Tanks

\*This product contains a weighted average lead content less than 0.25% for wetted surfaces.

# LEAD-FREE\*



### □ Installation □ Maintenance Instructions

#### SPECIFICATION

Fill pressure (and air charge pressure).....40 PSI  
 Max. Supply Pressure.....80 PSI

For potable water applications

To obtain maximum effectiveness and to prolong WXTP series tank life ADJUST TANK PRECHARGE TO EQUAL LINE PRESSURE, NOT TO EXCEED 80 PSI.

Example:

If normal city water pressure at tank location is 55 psig, increase air precharge in WXTP tank to 55 psig. This can be done with a bicycle pump or air compressor. Pressure can be checked with a standard tire gauge.

#### INSTALLATION

1. Shut off power or gas to water heater.
2. Shut off cold water supply to water heater.
3. Drain water from heater (MAKE SURE THAT A FAUCET OR OTHER FIXTURE IS OPEN TO PREVENT VACUUM BUILD UP).
4. With water completely drained from water heater, install WXTP Series Thermal Expansion Tank by teeing into a cold water supply as shown. WXTP tank must be installed on the cold water supply and between water heater and check valve, backflow preventer, etc.
5. Strapping or bracing must be used when tank is installed in the horizontal position. This will allow support of the tank when filled with water.

6. Check tank pressure with a tire gauge and adjust pre-charge as needed to match line water pressure.
7. Turn water supply back on.
8. A properly sized pressure relief valve set at a maximum of 150 PSI must be installed in the system
9. If the supply pressure exceeds 80 PSI a properly sized pressure reducing valve must be installed on the system.

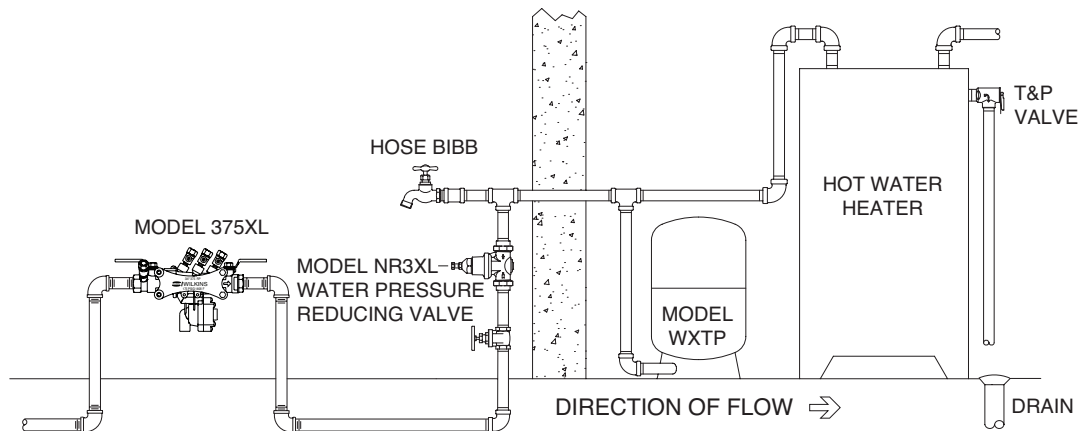
**Warning:** Failure to follow these instructions is UNSAFE and may result in serious injury or death and/or property damage.

#### MAINTENANCE

The tank precharge should be checked annually. The water pressure must be removed from the tank to prevent a false reading.

1. Shutoff water supply.
2. Open a faucet to remove pressure from the system
3. Check tank pressure with a tire gauge. Add air to tank if it doesn't match the incoming water pressure. If the tank pressure is zero or if water discharges from the air valve, then it should be replaced.
4. Turn water supply back on.

**NOTE:** This tank is not suitable for use on fire sprinkler systems as required by NFPA 13 or 13D.



MODEL WXTP INSTALLATION "V" SERIES

TANK SPECIFICATIONS											
MODEL NUMBER	MAXIMUM SUPPLY PRESSURE	TOTAL VOLUME (Gallons)	ACCEPTANCE VOLUME	FACTORY PRE-CHARGE (psi)	DIMENSIONS					WEIGHT	
					DIAMETER		HEIGHT		SYSTEM CONNECTION	lbs.	kg
					in.	mm	in.	mm			
WXTP-50V	80 PSIG	14	5.6	40	16	406	21 11/16	551	1" FNPT	32	14.5
WXTP-75V	80 PSIG	20	8.0	40	16	406	28 13/16	732	1" FNPT	39	17.7
WXTP-120V	80 PSIG	32	12.8	40	21	533	27 13/16	706	1" FNPT	60	27.2
WXTP-165V	80 PSIG	44	17.6	40	21	533	36 3/16	919	1 1/4" FNPT	72	32.7

NOTE: RELIEF VALVE MUST BE SET AT 150 PSIG MAXIMUM

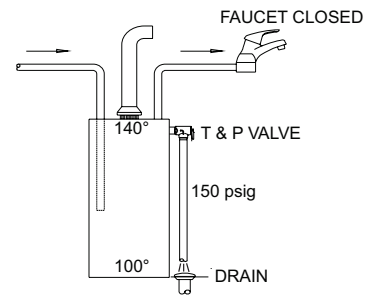
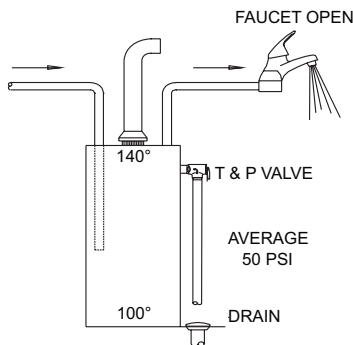
⚠ **WARNING:** Cancer and Reproductive Harm - [www.P65Warnings.ca.gov](http://www.P65Warnings.ca.gov)  
 ⚠ **ADVERTENCIA:** Cáncer y daño reproductivo - [www.P65Warnings.ca.gov](http://www.P65Warnings.ca.gov)  
 ⚠ **AVERTISSEMENT:** Cancer et néfastes sur la reproduction - [www.P65Warnings.ca.gov](http://www.P65Warnings.ca.gov)



# OPERATION

With faucet open expanded water is released as it is generated.

1. No problem with expansion
2. No pressure build-up

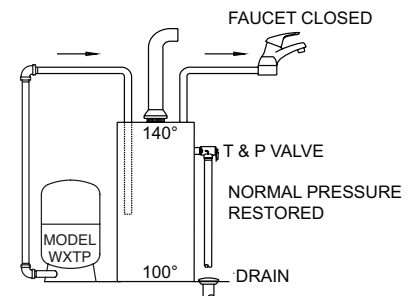


With the faucets closed, as in the evening, pressure builds almost instantly until the safety relief valve spills and the hot water then cycle repeats itself.


1. Hot water under high pressure: 150 psig
2. Stress on water heater and components
3. Wasted BTU's

With a ZURN WILKINS Series Thermal Expansion Tank installed between the check valve and the water heater, pressures are controlled and system is restored to a safe and proper working condition.

1. Expanded water is absorbed by Tank
2. Pressure is controlled
3. Relief valve is not called upon to operate



## SIZING CHART

 = See XT Spec Sheet

Supply Pressure (PSIG)	Tank Pre-Charge (PSIG)	WATER HEATER CAPACITY (U.S. gal)											
		200	240	260	280	300	350	400	450	500	600	800	1000
40	40					50V	50V	75V	75V	75V	120V	120V	165V
50	50					50V	50V	75V	75V	75V	120V	120V	165V
55	55					50V	50V	75V	75V	75V	120V	120V	165V
60	60				50V	50V	50V	75V	75V	75V	120V	120V	165V
70	70		50V	50V	50V	50V	50V	75V	75V	75V	120V	120V	165V
80	80	50V	50V	50V	50V	50V	75V	75V	75V	120V	120V	165V	165V

Based upon 100°F temperature rise (40°F to 140°F)

**WARRANTY:** ZURN WILKINS Valves are guaranteed against defects of material or workmanship when used for the services recommended. If in any recommended service, a defect develops due to material or workmanship, and the device is returned, freight prepaid, to ZURN WILKINS within 5 years from date of purchase, it will be repaired or replaced free of charge. ZURN WILKINS' liability shall be limited to our agreement to repair or replace the valve only.