



Model YBXL

Domestic Bronze "Y" Type Strainer

Application

Zurn Wilkins model YBXL is recommended for a variety of water service lines including residential and commercial irrigation, swimming pools and cooling tower water. They are also designed to protect delicate equipment such as regulators and backflow preventers by filtering sediment which could cause premature failure.

Standards Compliance

- Conformance to MIL-S-16293
- Meets the requirements of NSF/ANSI 372

Materials

Main valve body Cast Bronze ASTM B 584
 Access covers Cast Bronze ASTM B 584 or Forged Brass ASTM B 124
 Screens 20 Mesh Stainless Steel, 300 Series

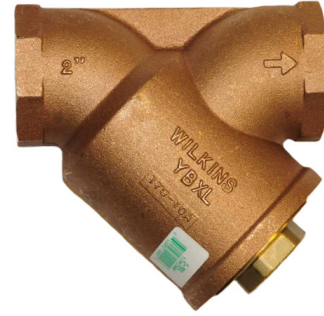
Features

Sizes: 1/2", 3/4", 1", 1 1/4", 1 1/2", 2", 2 1/2", 3"

Pressure / Temperature:

MODEL YBXL 400 psi@ 180°F WOG
 MODEL YBXL 400 psi@ 150°F

End Connections Threaded ANSI B 1.20.1
 (Closure plug available but not standard, sizes 1/2" - 2"; plug standard on 2 1/2" & 3")



XL LEAD FREE



Options

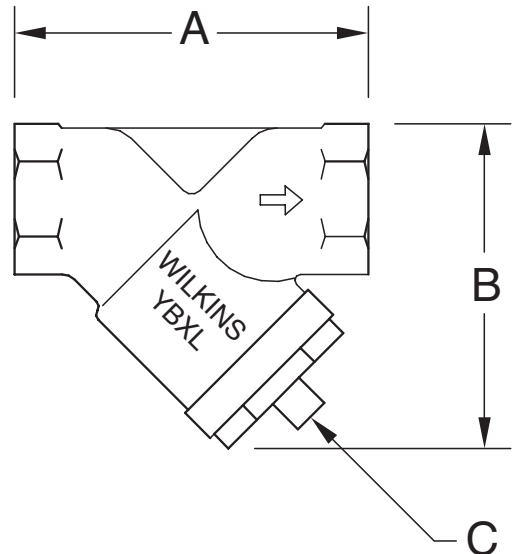
(Suffixes can be combined)

- P - with tapped access cover & pipe plug
- C - with copper sweat connections (1/2" - 2")
- 40 - with 40 mesh strainer screen
- 60 - with 60 mesh strainer screen
- 80 - with 80 mesh strainer screen
- 100 - with 100 mesh strainer screen

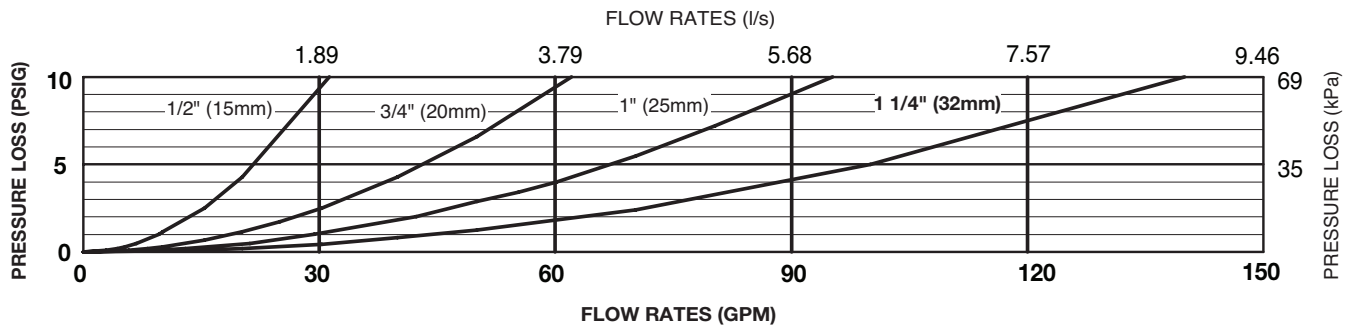
Dimensions & Weights (do not include pkg.)

MODEL YBXL (NPT CONNECTION)								
SIZE		DIMENSIONS (approximate)					WEIGHT	
		A		B		C		
in.	mm	in.	mm	in.	mm	in.	lbs.	kg.
1/2	15	3 1/8	79	2	51	3/8 NPT	1	0.5
3/4	20	3 5/16	84	2 5/16	58	1/2 NPT	1	0.5
1	25	4 1/2	114	3	76	3/4 NPT	2	1
1 1/4	32	4 11/16	119	4 5/8	117	3/4 NPT	3	1.5
1 1/2	40	5 3/16	130	5 1/8	130	3/4 NPT	4	2
2	50	6 1/8	156	6 1/4	159	3/4 NPT	5	2.5
2 1/2	65	8 1/4	210	7	178	1/2 NPT	14	6.5
3	80	11 1/8	282	7 1/2	191	1/2 NPT	24	11

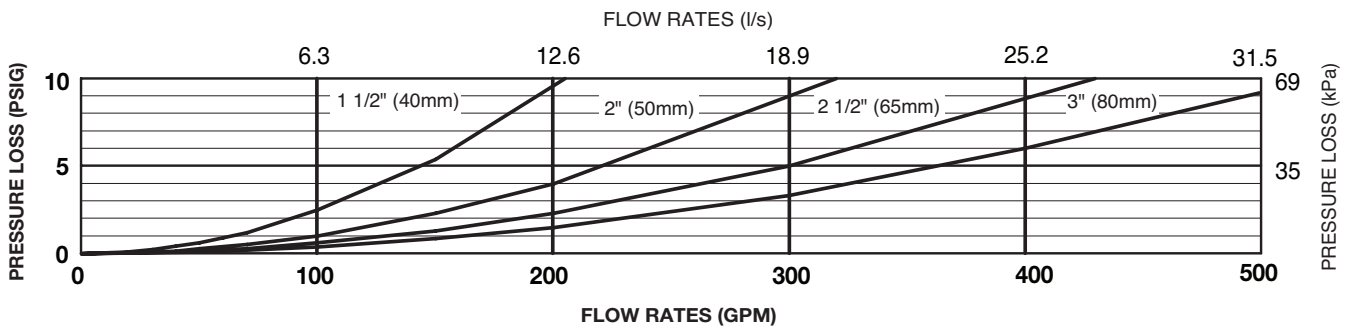
MODEL YBXL (COPPER SWEAT CONNECTION)								
SIZE		DIMENSIONS (approximate)					WEIGHT	
		A		B		C		
in.	mm	in.	mm	in.	mm	in.	lbs.	kg
1/2	15	3 5/16	84	2	51	3/8 NPT	1	0.5
3/4	20	3 3/4	95	2 5/16	58	1/2 NPT	1	0.5
1	25	5	127	3	76	3/4 NPT	2	1
1 1/4	32	5 5/8	143	4 5/8	117	3/4 NPT	3	1.5
1 1/2	40	6 7/16	164	5 1/8	130	3/4 NPT	4	2
2	50	7 3/8	187	6 1/4	159	3/4 NPT	6	2.5



MODEL YBXL 1/2" thru 1 1/4" (STANDARD & METRIC)

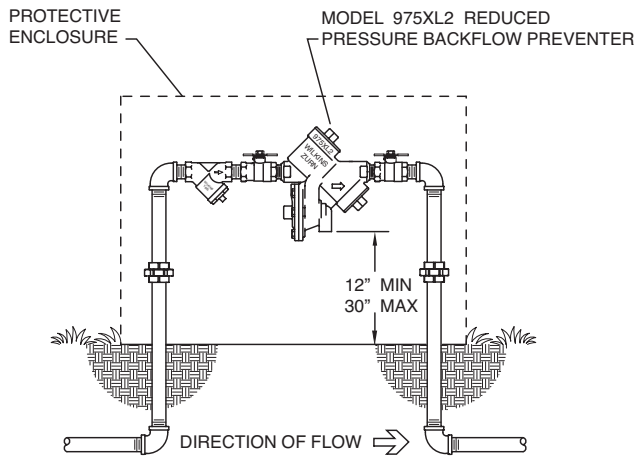


MODEL YBXL 1 1/2" thru 3" (STANDARD & METRIC)

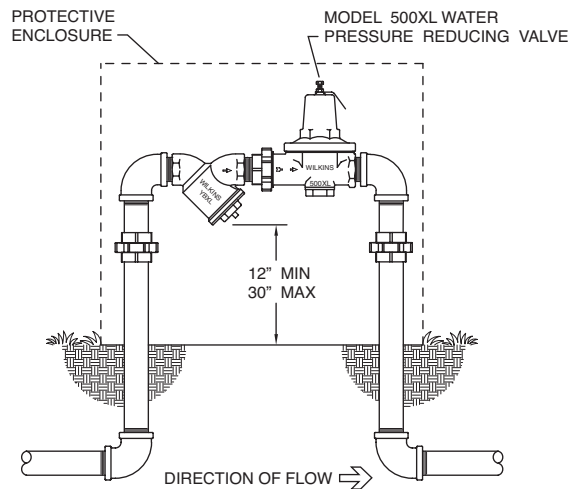


Typical Installation

Local codes shall govern installation requirements. Unless otherwise specified, the assembly shall be mounted in accordance with the latest edition of the Uniform Plumbing Code. If installed below grade, be certain adequate drainage is provided to prevent the device from being submerged. Horizontal installation with the strainer cap facing downward is the preferred installation orientation; however the strainer will provide protection in any orientation.



Typical Installation



Typical Installation

Specifications

The "Y" type strainer shall be domestically manufactured, and conform to MIL-S-16293, and be certified to NSF/ANSI 372. The main body shall be cast bronze (ASTM B 584), the access cover shall be forged brass (ASTM B 124) or cast bronze (ASTM B 584), the strainer screen shall be 300 series stainless steel and available in 20, 40, 60, 80 or 100 mesh. Screens shall be accessible for cleaning without removing the device from the line. The "Y" type strainer shall be a ZURN WILKINS Model YBXL.