

Location:

SYMMONS® Safetymix® Tub and Shower System 1-215-X Specification Submittal



Feature Highlights

- Symmons tub and shower system with a lever handle.
- Symmons Safetymix pressure balancing mixing valve with adjustable stop screw to limit handle turn.
- Integral service stops - allows water shut-off at valve for service
- Diverter tub spout with twin ell and bushing adapter.
- Single mode, super showerhead #4-231 with arm and flange.
- Showerhead has adjustable flood or mist spray.
- Standard flow rate 2.5 gpm (9.5 L/min)
- Polished chrome finish

Model Numbers

- 1-215-X Tub and Shower System with Symmons Safetymix pressure balancing mixing valve

Finish Options

Append appropriate -suffix to model number.

- Polished chrome finish (standard)

Standards / Certifications

ASME A112.18.1/CSA B125.1



Warranty

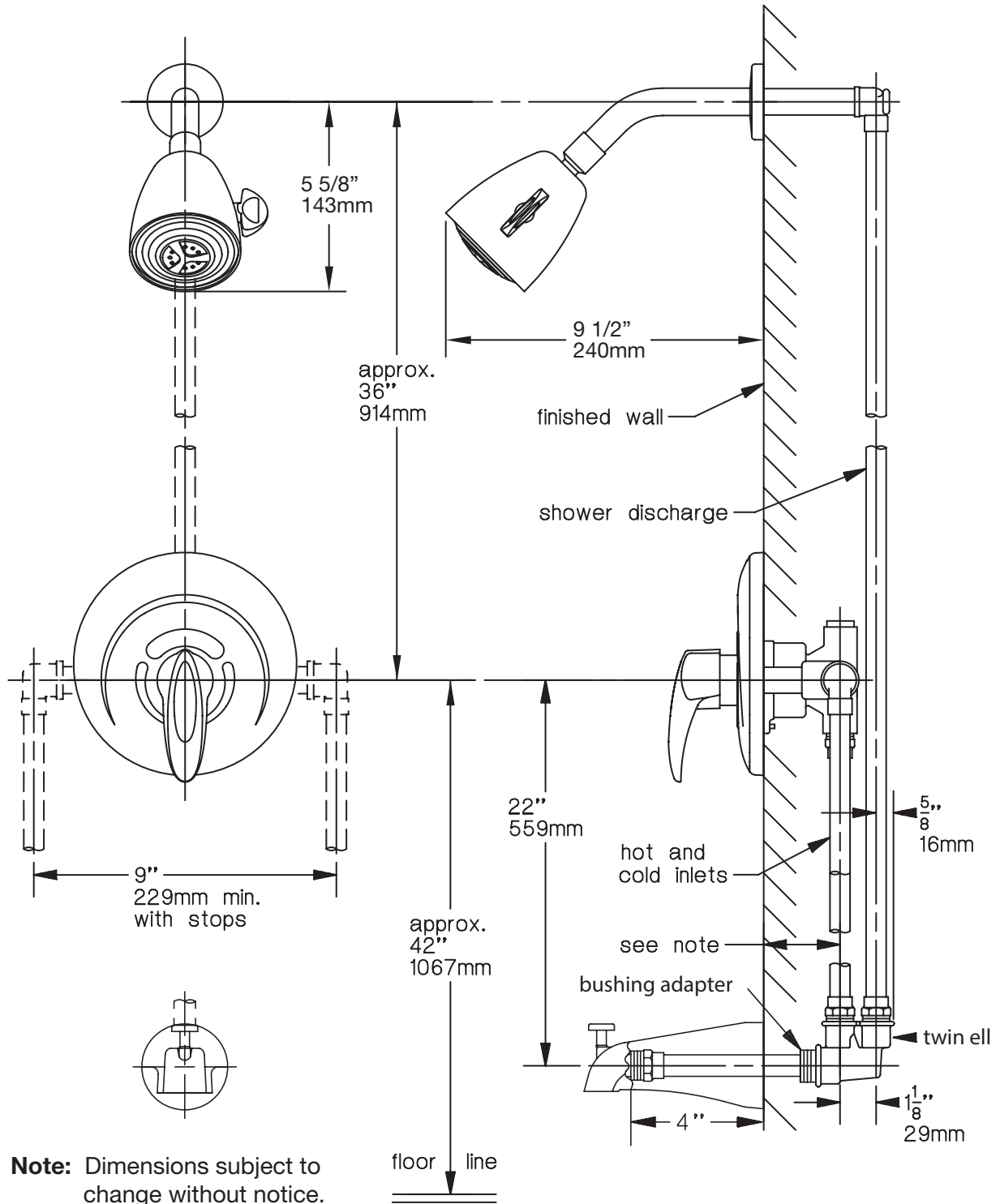
- Limited Lifetime - to the original end purchaser in residential/consumer installations.
- 5 years - for commercial installations

Options / Modifications

Append appropriate -suffix to model number.

- CG** -1.5 1.5 gpm (5.7 L/min) flow restrictor
- 2.0 2.0 gpm (7.6 L/min) flow restrictor
- BX Back connection with integral stops
- E External volume control on showerhead
- G Dial thermometer
- NU NU-Arm head bracket in place of 300 arm and flange
- T Toe tester in place of standard tub spout
- VP Vandal resistant escutcheon screws in place of standard screws
- X Integral stops - allows water shut off at valve for service. Recommended for use on all multiple commercial installations
- X-3/4" 3/4" valve to increase flow approximately 20%
- X-CHKS Integral check stops - for use in installations where a positive shut-off device is used downstream of mixing valve

Dimensions *Safetymix Tub and Shower System, 1-215-X*



Symmons Industries, Inc. ■ 31 Brooks Drive ■ Braintree, MA 02184
 Phone: (800) 796-6667 ■ Fax: (800) 961-9621
 Website: symmons.com ■ Email: gethelp@symmons.com

Copyright © 2017 Symmons Industries, Inc. ■ ZV-1711 REV A ■ 013117

