

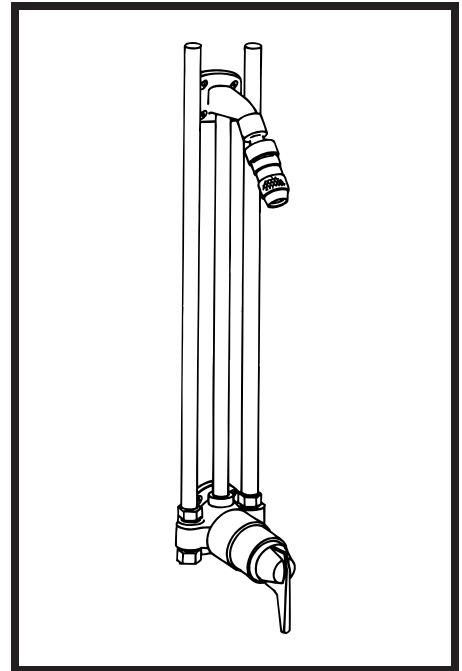
1-400 Safetymix® Shower System

Safetymix Exposed Pressure-Balancing mixing valve with integral unions, 20" head riser, head bracket, Fre-Flo shower head, and two 32" supply risers.

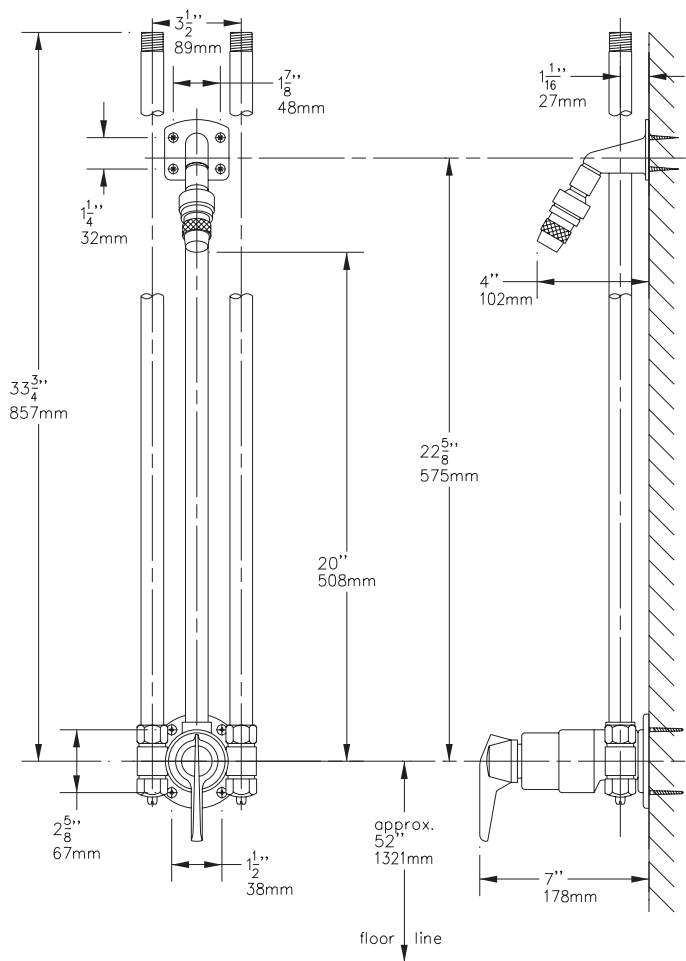
Modifications:

Suffix X: Integral service stops—allows water shut-off at valve for service

Suffix E: External volume control on shower head



**SYMMONS PRODUCTS MEET
ANSI A112.18.1M, EPA '92
AND ALL KNOWN FLOW RATE
REQUIREMENTS.
Shower Heads and Hand Showers
2.5 GPM (9.5 L/min)**



Job/Location
.....
.....

Engineer
.....
.....

Contractor
.....
.....

This drawing to be used for rough-in installation only. All floor to center dimensions optional. Concealed piping and fittings not furnished by manufacturer. For ADA compliance (Americans with Disabilities Act) consult ADAAG or your state regulations for proper product choice and mounting locations. For complete installation, adjustment and service information see installation instructions.

Symmons Industries, Inc. ■ 31 Brooks Drive ■ Braintree, MA 02184
(800) 796-6667, (781) 848-2250 ■ Fax (800) 961-9621, (781) 843-3849
Website: www.symmons.com ■ Email: customerservice@symmons.com

