

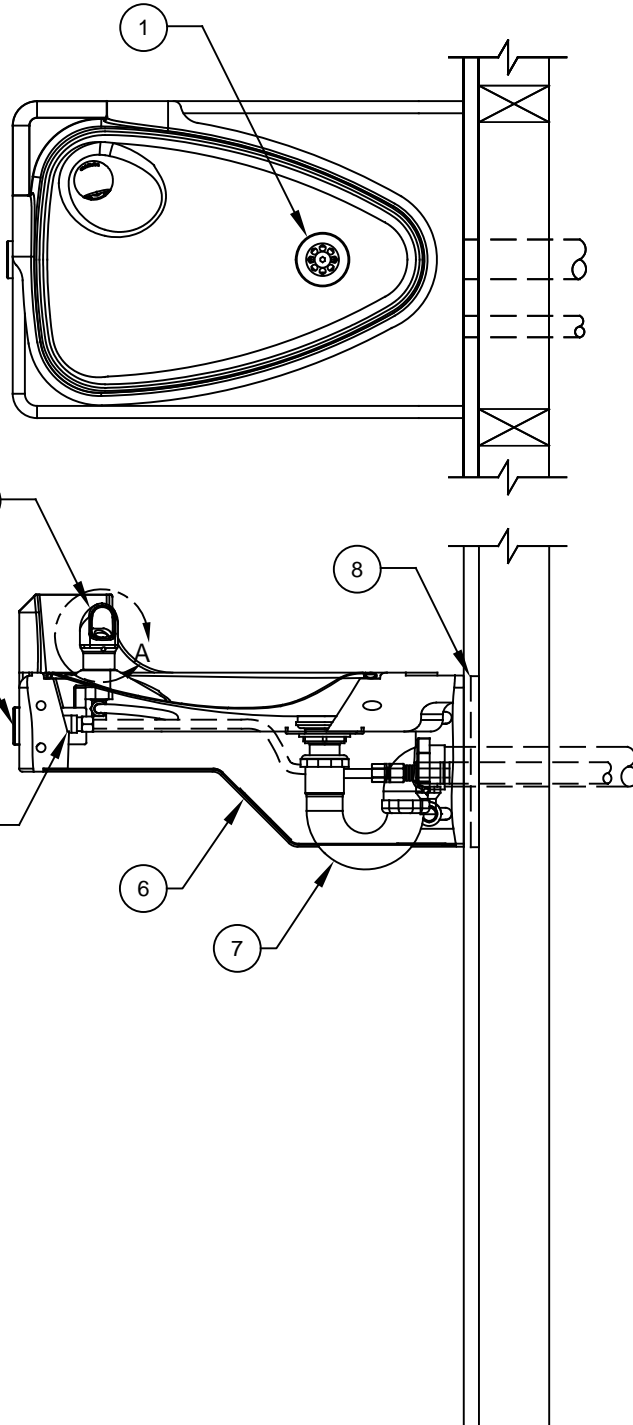
ITEM	DESCRIPTION	1047
1	STRAINER, WASTE ASSEMBLY	6466
2	BUTTON, PUSH, RECESSED, PCP W/ VALVE	5874PB
3	VALVE REPAIR KIT	VRK5874
4	BUTTON ASSEMBLY, PUSH, 5874	PBA7
5	BUBBLER HEAD ASSEMBLY, PCP	5703M
6	PLATE, BOTTOM	PBM1047
7	TRAP	0005987000
** 8	MOUNTING PLATE	6700

NOTES:

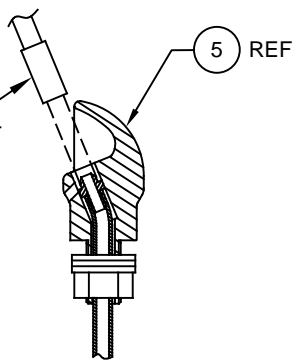
- 1 5874PB (ITEM 2) INCLUDES VRK5874 CARTRIDGE ASSEMBLY (ITEM 3) AND PBA7 RECESSED PUSH BUTTON (ITEM 4).
- 2 ENSURE TUBE IS DISCONNECTED FROM PUSH BUTTON VALVE BODY PRIOR TO REMOVAL. APPLY ONE DROP OF LOCTITE 222MS TO NOZZLE THREADS PRIOR TO FASTENING BACK ONTO BUBBLER HEAD. RE-ATTACH TUBE TO VALVE.

**

** REQUIRED - SOLD SEPARATELY.




- 2 REMOVE INSERT WITH 5/16 HEX SOCKET (NOT SUPPLIED)



DETAIL A
ROTATED 90° INTO VIEW

PARTS BREAKDOWN

WHEN ORDERING PARTS PLEASE SPECIFY MODEL NUMBER.

		1455 KLEPPE LANE SPARKS, NEVADA 89431 (775) 359-4712 FAX (775) 359-7424 E-MAIL: HAWS@HAWSCO.COM WEBSITE: WWW.HAWSCO.COM	
		ECN NO. REVISED PER BY ECN: 5527 FV	MODEL(S) 1047
DRAWN D. OLLOM	DATE 11/25/95	CHKD DP	REVISION 21
APPROVED FV	DATE 04/02/20	SCALE: 1:1	DRAWING TYPE: PARTS BREAKDOWN SIZE: A SHEET 1 OF 1