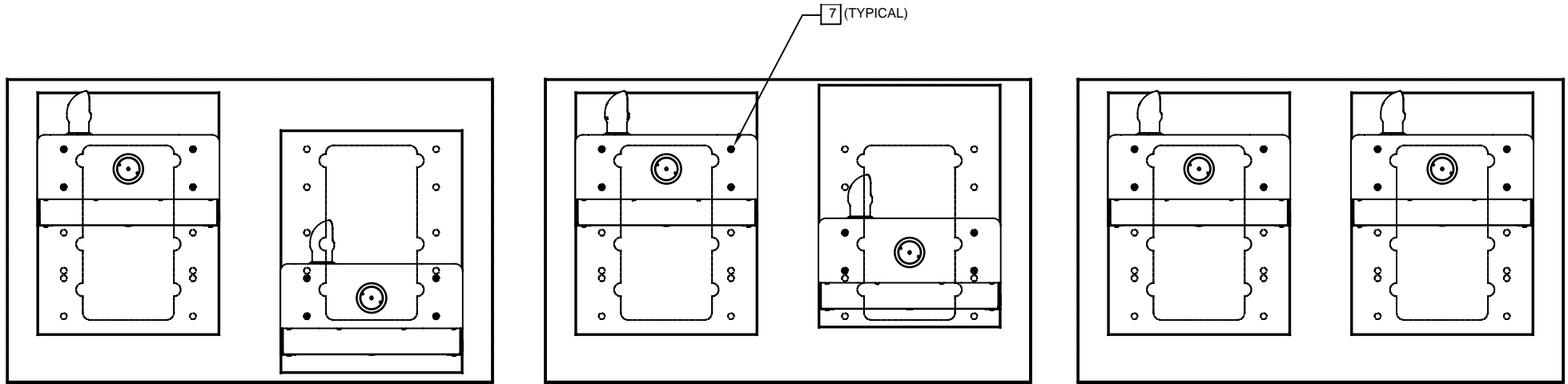


NOTES:

- 6 FIGURES 1 AND 2 ARE REVERSIBLE. CAN BE RIGHT OR LEFT SIDE HIGH.
- 7 USE SHADED HOLES TO MOUNT AT INDICATED POSITIONS BASED ON COMBINATION SELECTED (FIGS. 1 THRU 3).
- 8. REFER TO SHEET 1 OF 2 NOTE 4 FOR INSTALLED FOUNTAIN DIMENSIONS.



6

FIGURE 1.

ADULT STANDING/CHILD WHEELCHAIR

6


FIGURE 2.

ADULT STANDING/ADULT WHEELCHAIR

FIGURE 3.

ADULT STANDING/ADULT STANDING

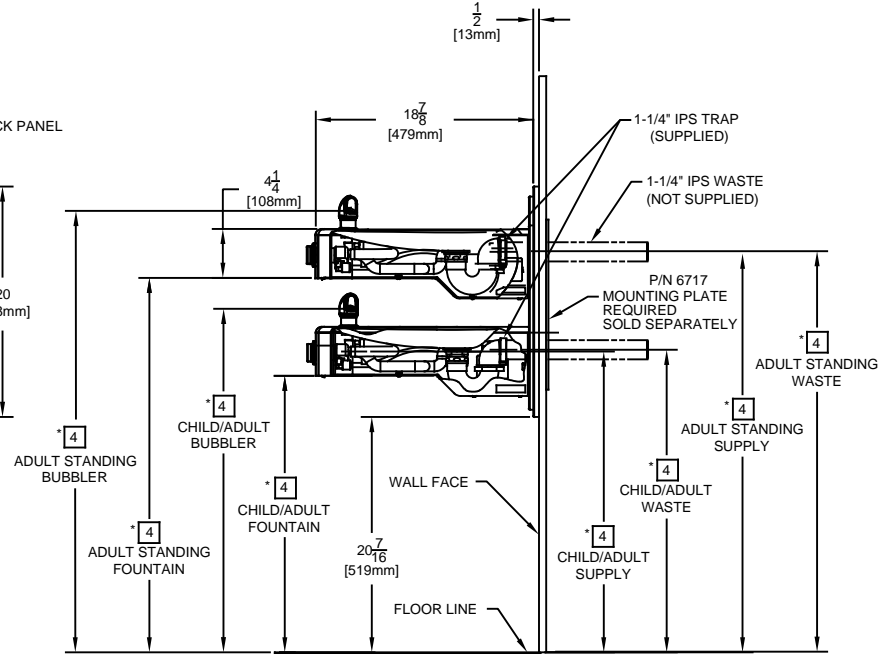
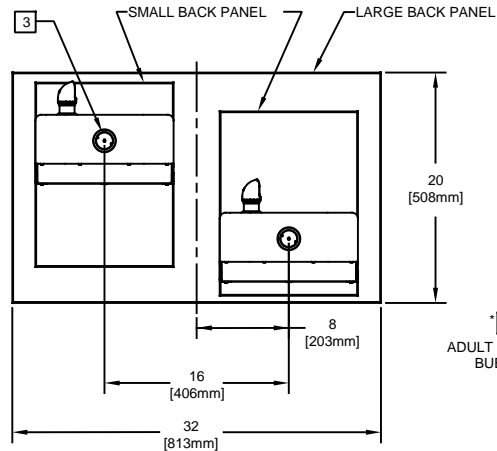
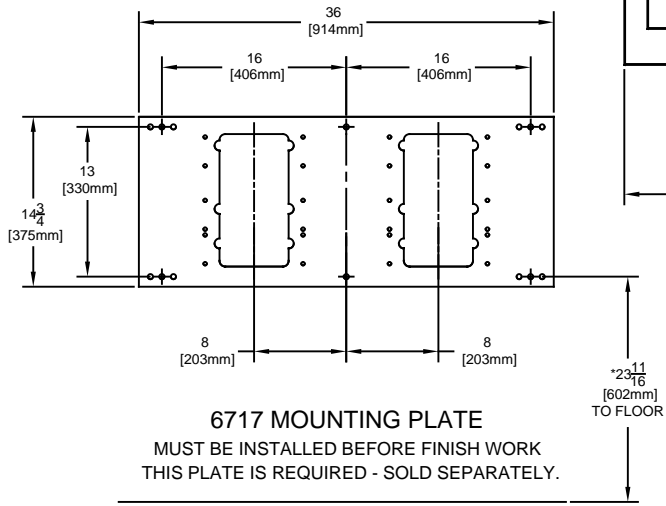
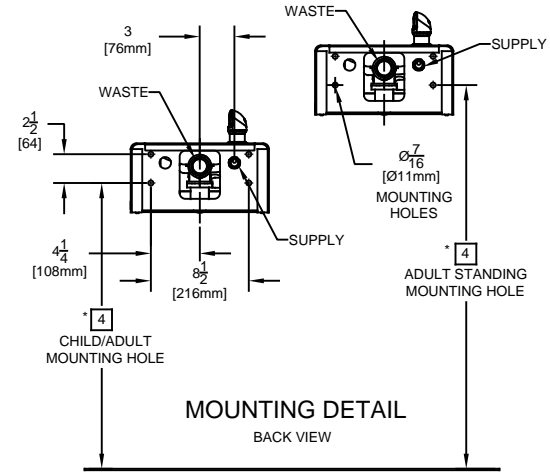
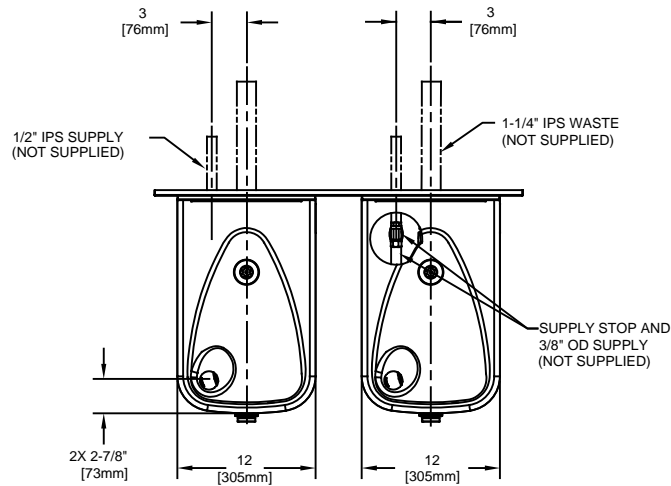
BOWL MOUNTING PATTERNS

		Haws [®]		1455 KLEPPE LANE SPARKS, NEVADA 89431 (775) 359-4712 FAX (775) 359-7424 E-MAIL: HAWS@HAWS.CO.COM WEBSITE: WWW.HAWS.CO.COM	
				ECN NO. REVISED PER BY: MODEL(S) ECN: 5527 FV	
DRAWN: C.FENNER APPROVED: FV		DATE: 12/29/06 DATE: 04/02/20		CHKD.: DP DP	
		1117L		REVISION 16	
		SCALE: 1:2		DRAWING TYPE: INSTALLATION	
		SIZE: A		SHEET 2 OF 2	

NOTES:

1. HOLD ROUGH-IN DIMENSIONS $\pm \frac{1}{8}$ " (3.2MM).
2. WHEN INSTALLING THIS UNIT, LOCAL, STATE, OR FEDERAL CODES SHOULD BE ADHERED TO. FOR INSTALLATION HEIGHTS OTHER THAN SHOWN, DIMENSIONS MARKED (*) MUST BE ADJUSTED ACCORDINGLY.
3. REFER TO 5874 SERIES OPERATION AND MAINTENANCE MANUAL FOR PUSH BUTTON AND VALVE INSTALLATION/MAINTENANCE INSTRUCTIONS.
4. ROUGH IN DIMENSIONS FOR FOUNTAIN HEIGHTS:
 - CHILD WHEELCHAIR HEIGHT: SEE SHT 2 FIG 1
WASTE: 26-1/4" (667mm)
SUPPLY: 26-1/8" (664mm)
MOUNTING HOLE: 24-13/16" (630mm)
FOUNTAIN: 24" (610mm)
BUBBLER: 29-7/8" (756mm)
 - ADULT WHEELCHAIR HEIGHT: SEE SHT 2 FIG 2
WASTE: 29-1/4" (743mm)
SUPPLY: 29-1/8" (740mm)
MOUNTING HOLE: 27-13/16" (706mm)
FOUNTAIN: 27" (686mm)
BUBBLER: 32-7/8" (832mm)
 - STANDING ADULT HEIGHT: SEE SHT 2 FIG 3
WASTE: 34-3/4" (883mm)
SUPPLY: 34-5/8" (879mm)
MOUNTING HOLE: 33-5/16" (846mm)
FOUNTAIN: 32-1/5" (826mm)
BUBBLER: 38-3/8" (972mm)
5. REFER TO MODEL 1117L INSTALLATION DRAWING SHEET 2 OF 2 (ON HAWS WEBSITE WWW.HAWSCO.COM) FOR PERMISSABLE BOWL MOUNTING PATTERNS. **TWO WHEELCHAIR HEIGHT FOUNTAINS CANNOT BE MOUNTED SIDE BY SIDE PER ANSI A117.1.**

NOTES CONTINUED ON SHEET 2 OF 2



1455 KLEPPE LANE
SPARKS, NEVADA 89431
(775) 359-4712 FAX (775) 359-7424
E-MAIL: HAWS@HAWSCO.COM
WEBSITE: WWW.HAWSCO.COM

ECN NO. REVISED PER BY:	MODEL(S)	PART NUMBER	
ECN: 5527 FV	1117L	0002080223.D	
DRAWN: C.FENNER	DATE: 10/06	CHKD.: DP	REVISION
APPROVED: FV	DATE: 04/02/20	SCALE: 1:2	DRAWING TYPE: INSTALLATION
		SIZE: A	SHEET 1 OF 2