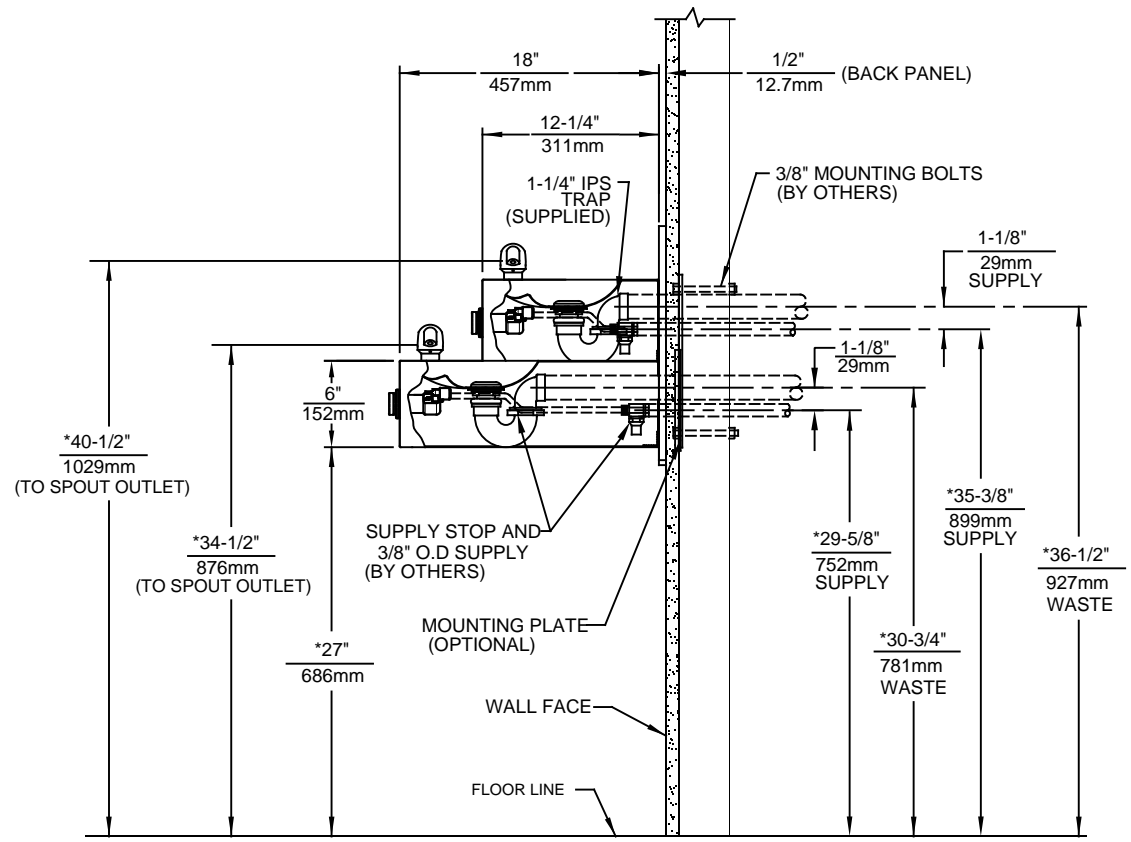
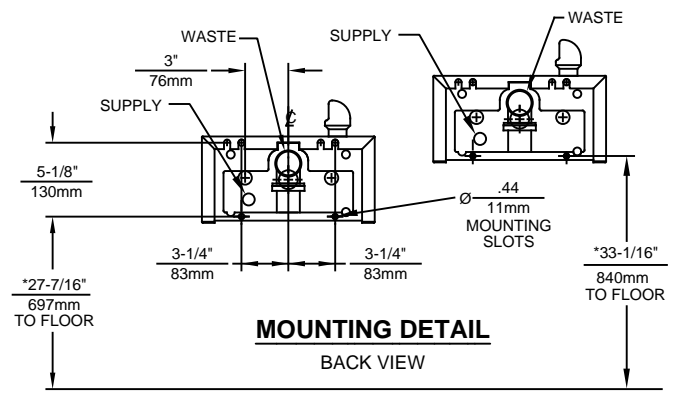



**MOUNTING PLATE**  
(OPTIONAL, HAWS 6700.4)



- NOTES:**
- HOLD ROUGH-IN DIMENSIONS  $\pm 1/4"$  (6.4mm).
  - WHEN INSTALLING THIS UNIT LOCAL, STATE OR FEDERAL CODES SHOULD BE ADHERED TO. FOR INSTALLATION HEIGHTS OTHER THAN SHOWN, DIMENSIONS MARKED (\*) MUST BE ADJUSTED ACCORDINGLY.

3 REFER TO 5874 SERIES OPERATION AND MAINTENANCE MANUAL FOR PUSH BUTTON AND VALVE INSTALLATION/MAINTENANCE INSTRUCTIONS.



1455 KLEPPE LANE  
SPARKS, NEVADA 89431  
(775) 359-4712 FAX (775) 359-7424  
E-MAIL: HAWS@HAWS.CO.COM  
WEBSITE: WWW.HAWS.CO.COM

ECN NO. REVISED PER BY:	MODEL(S)	PART NUMBER
ECN: 5530 FV	1119.14	0002076717.D
DRAWN: F.VASQUEZ	DATE: 04/01/04	CHKD: DP
APPROVED: NE	DATE: 03/26/20	REVISION
	SCALE: 1:14	DRAWING TYPE: INSTALLATION
		SIZE: A SHEET 1 OF 1