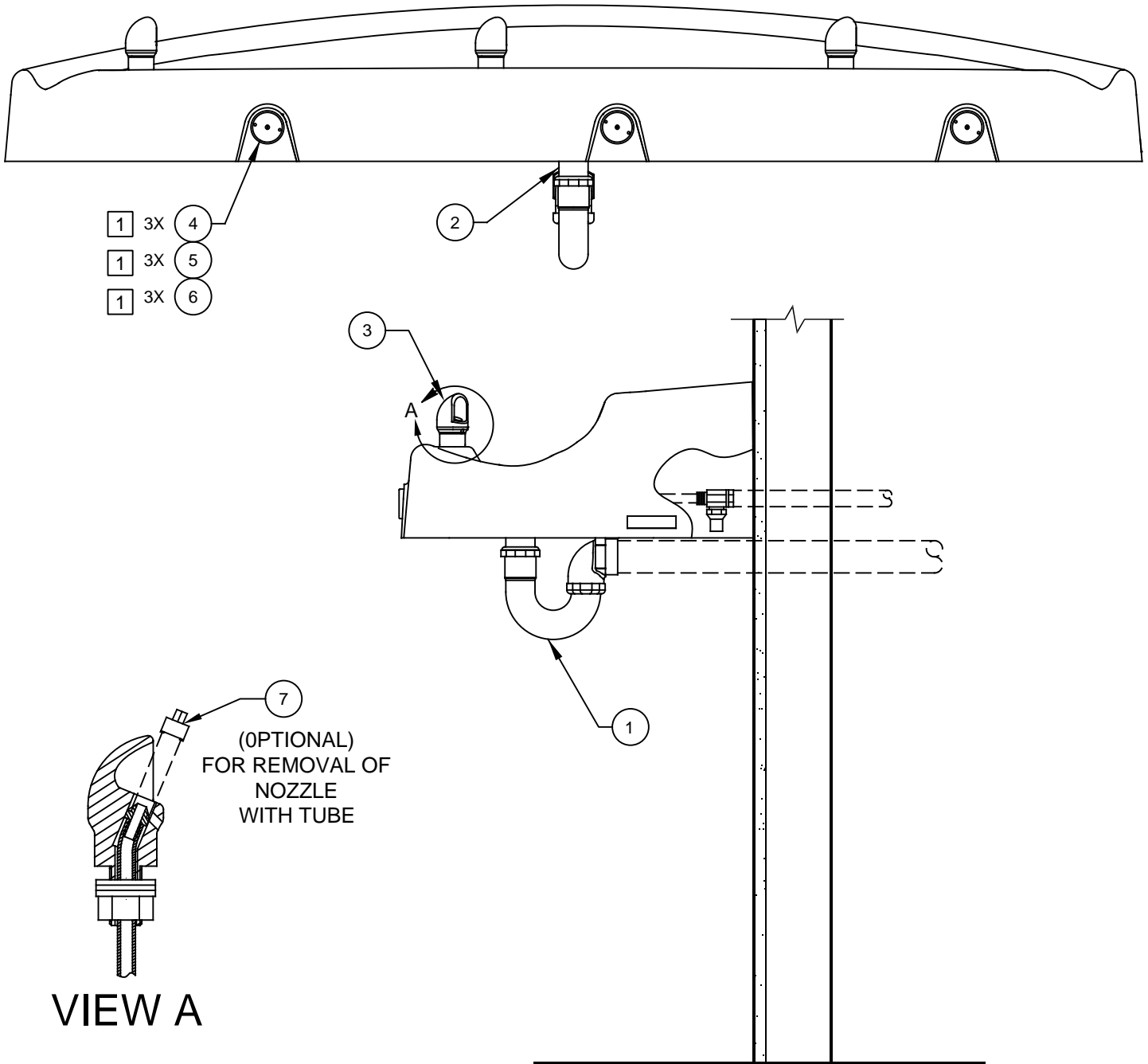


ITEM	DESCRIPTION	PART NO.
1	TRAP, 1 1/2	SP95
2	STRAINER WASTE ASSY, PCP	6454
3	BUBBLER HEAD ASSY, PCP	5703M
4	BUTTON, PUSH, NON-FLANGED, PCP	5874PB
5	VALVE REPAIR KIT	VRK5874
6	PUSH BUTTON ASSY	PBA7
7	DRIVER, NOZZLE .25 HEX	0002082253


NOTES:

- 1 5874PB (ITEM 4) INCLUDES VRK5874 CARTRIDGE ASSEMBLY (ITEM 5) AND PBA7 FLANGED PUSH BUTTON (ITEM 6).

* DENOTES OPTIONAL PART.



PARTS BREAKDOWN

		Haws [®]		1455 KLEPPE LANE SPARKS, NEVADA 89431 (775) 359-4712 FAX (775) 359-7424 E-MAIL: HAWS@HAWS.CO.COM WEBSITE: WWW.HAWS.CO.COM	
				ECN NO. REVISED PER BY ECN: 5188 JP	MODEL(S) 1409
DRAWN M.DAVIS	DATE 12-14-05	CHKD VWC			
APPROVED FV	DATE 07/06/17	SCALE: 1:4	DRAWING TYPE: PARTS BREAKDOWN	SIZE: A	SHEET 1 OF 1

WHEN ORDERING PARTS PLEASE SPECIFY MODEL NUMBER.