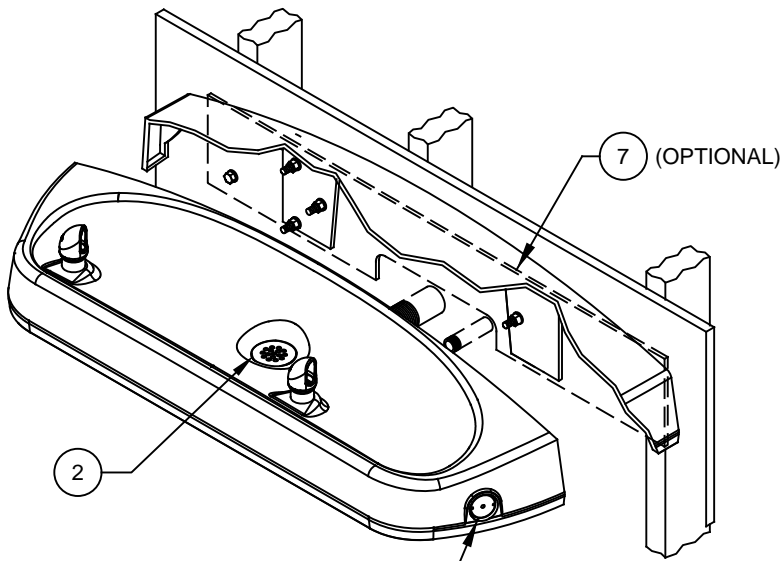


| ITEM | DESCRIPTION | PART NO. |
|------|--------------------------------|------------|
| 1 | TRAP, 1 1/2 | 0005987000 |
| 2 | STRAINER WASTE ASSY, PCP | 6454 |
| 3 | BUBBLER HEAD ASSY, PCP | 5703M |
| 4 | BUTTON, PUSH, NON-FLANGED, PCP | 5874PB |
| 5 | VALVE REPAIR KIT | VRK5874 |
| 6 | PUSH BUTTON ASSY | PBA7 |
| * 7 | MOUNTING PLATE | 6710 |
| * 8 | DRIVER, NOZZLE .25 HEX | 0002082253 |

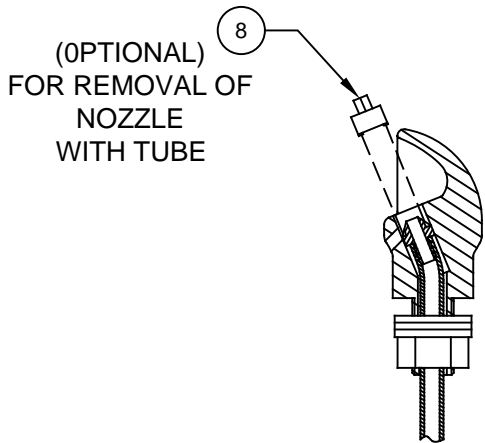
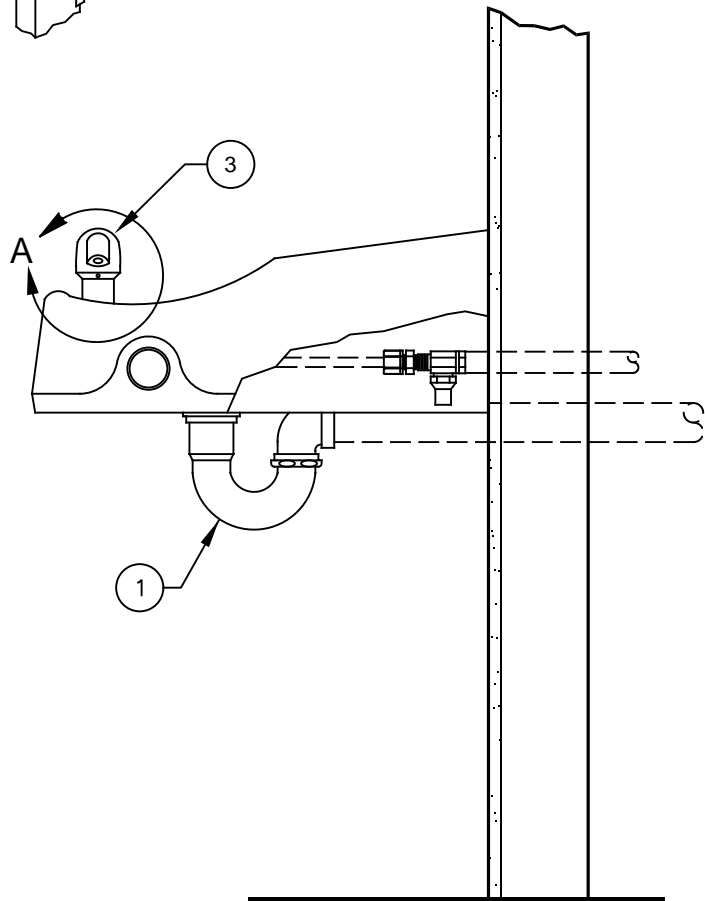
* DENOTES OPTIONAL PART.

NOTES:

- 1 5874PB (ITEM 4) INCLUDES VRK5874 CARTRIDGE ASSEMBLY (ITEM 5) AND PBA7 FLANGED PUSH BUTTON (ITEM 6).




- 1 2X 4
- 1 2X 5
- 1 2X 6



VIEW A
ROTATED 90° CW
DETAIL OF ITEM 3

PARTS BREAKDOWN

| | | | | | | |
|---|------------------|--------------------------|-------------------------------|---|------------------|---------------------------|
|  | | Haws [®] | | 1455 KLEPPE LANE SPARKS, NEVADA 89431 (775) 359-4712 FAX (775) 359-7424 E-MAIL: HAWS@HAWSCO.COM WEBSITE: WWW.HAWSCO.COM | | |
| | | | | ECN NO. REVISED PER BY ECN: 5188 VWC | MODEL(S) 1441 | PART NUMBER 0002076867 |
| DRAWN D. OLLOM | DATE 11/25/95 | CHKD VWC | REVISION 19 | WHEN ORDERING PARTS PLEASE SPECIFY MODEL NUMBER. | | |
| APPROVED FV | DATE 07/06/17 | SCALE: 1:8 | DRAWING TYPE: PARTS BREAKDOWN | SIZE: A | SHEET 1 OF 1 | |