



Penal-Ware® 1640 Series Service Sink



1640-2-SE-4

1640-1-SE-4

Fixture May Show Some Available Options

Please visit www.acorneng.com for most current specifications.

Service Sink

Fixture is arranged to be installed on finished wall and serviced from an accessible pipe chase. Back is provided with anchor tappings as well as supply and waste connections. Optional Wall Sleeve or Metal Template is recommended on all installations for required wall openings.

Fixture is fabricated from 14 gage, type 304 stainless steel and is seamless welded construction with a satin finish. There are no accessible voids or crevices where contraband can be concealed. When optional soap dish is specified, backsplash is structurally reinforced at attaching points. Cabinet interior is sound-deadened with fire-resistant material.

Model 1640 has a 19" x 16" x 10" deep bowl, and Model 1642 has a 22" x 16" x 10" deep bowl. Standard elbow waste outlet is 2-3/8" O.D. plain end and extending 3" beyond the rear of the unit.

Optional Valve is an Air-Control pneumatically operated, pushbutton valve using atmospheric air. Pushbutton is vandal-resistant and requires less than 5 pounds to activate valve. Valve is direct acting, non-metering type and is optionally available as metering with non-hold open feature. Metering valve timing is adjustable from 5 to 60 seconds. Valve includes a 2.5 GPM flow control and can be remotely located up to 10 feet from the operating pushbutton.

Regularly Furnished Trim includes an elbow waste, integral grid strainer, and mounting hardware for walls up to 8" thick.

GUIDE SPECIFICATION

Provide and install Acorn Penal-Ware Service Sink (specify model number and options). Fixture shall be fabricated from 14 gage, type 304 stainless steel including all reinforcing. All welds shall be ground smooth. Exterior shall have a satin finish. Sink shall be double wall construction with integral cabinet and backsplash. Provide Air-Control pneumatically operated pushbutton valve. Fixture shall be furnished with necessary fasteners for proper installation.



Penal-Ware®: 1640 Service Sink

WALL THICKNESS AND TYPE (Must Specify)

Thickness: _____ Type: Concrete Block Steel

MODEL AND OPTIONS SELECTION:

BASE MODEL NUMBER

- 1640 Service Sink, 21" x 19"
- 1642 Service Sink, 24" x 19"

FIXTURE MOUNTING AND WASTE (Must Specify)

- 1 Off-Floor, Wall Outlet
- 2 On-Floor, Wall Outlet

SPOUT SELECTION (Must Specify)

- SE Spout with Plain End
- SH Spout with Hose End

VALVE SELECTION (Must Specify)

Air-Control (Pneumatic)

- 03 Single Temp, Non-Metering
- 03-M Single Temp, Metering
- 04 Hot & Cold, Non-Metering
- 04-M Hot & Cold, Metering
- 04-MH Hot & Cold, Metering Hot Side Only

Master-Trol® (Electronic)

- EVS1 Single Temp
- EVS2 Hot & Cold
- EVSP1 Single Temp, Piezo Button
- EVSP2 Hot & Cold, Piezo Buttons

Master-Trol® PLUS (Electronic)

- MTP1 Single Temp
- MTP2 Hot & Cold
- MTPP1 Single Temp, Piezo Button
- MTPP2 Hot & Cold, Piezo Buttons

Time-Trol® (Electronic)

- MVC1 Single Temp
- MVC1-BAT Single Temp Battery Powered (Batteries Not Included)
- MVC2 Hot & Cold
- MVC2-BAT Hot & Cold Battery Powered (Batteries Not Included)

Valve By Others

- 9 Punched for Valve by Others

VALVE OPTIONS

- BRS Brass Body Valve
- CI Cycle Interrupt for Time-Trol® Valves
- MA2 Manifoldd, 2-Stack
- MA3 Manifoldd, 3-Stack
- MA4 Manifoldd, 4-Stack
- PBH Hemispherical Pushbutton
- PBP Pushrod Activated Pushbutton
- TF Transformer, 120VAC to 24VAC (-MVC option only)

CABINET OPTIONS

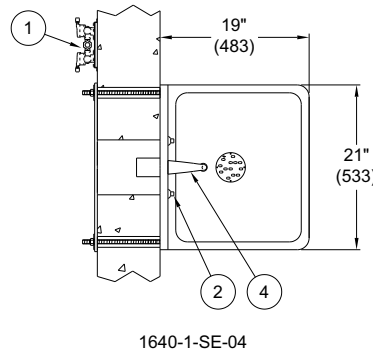
- D Soap Dish
- FMT Fixture Mounted Trim
- IS Integral Shelf
- TG 12 Gage Cabinet
- TH Towel Hook Left Right
- VG3 Vent Grille 8-3/4" x 8-3/4" Left Right
- VG4 Vent Grille 8-3/4" x 17" (Bottom Only)

LAVATORY WASTE OPTIONS

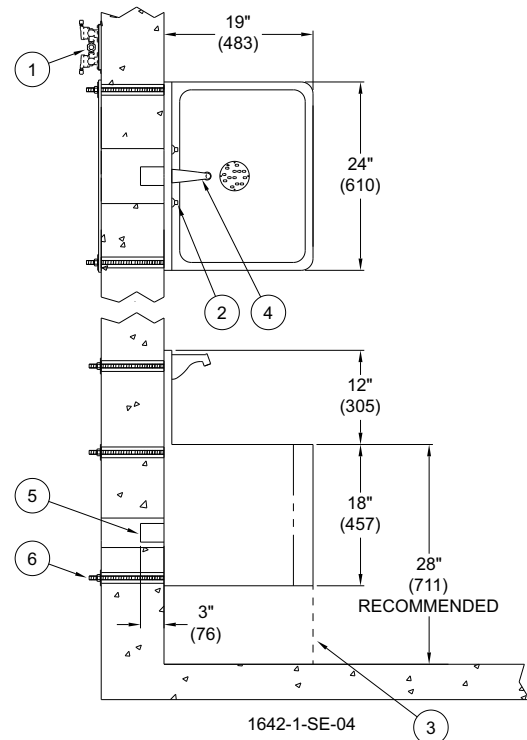
- LWE Lavy Waste Extension (3" Standard) Specify Length Beyond Fixture: _____
- PT P-Trap Waste
- TW1 Thru-Wall Waste Connection with P-Trap & Cleanout

PRODUCT OPTIONS

- EG Enviro-Glaze, Specify Color: _____
- MT Metal Template (Only 1 Required Per Project)
- SW Wall Sleeve
- VAC Acorn-Vac System
- VB Vacuum Breaker (For use with Hose End Spout Only)



1640-1-SE-04



1642-1-SE-04

NOTES:

1. Optional -04 Air-Control Valve
2. Valve Pushbuttons
3. Cabinet for On-Floor Models
4. -SE Spout w/ Plain End
5. Sink Waste Outlet
6. Wall Mounting Hardware

Please visit www.acorneng.com for most current specifications.

WARNING: Cancer and Reproductive Harm - www.P65Warnings.ca.gov

<p>Important: Installation instructions and current rough-in are furnished with each fixture. Do not rough in without certified dimensions. Dimensions are subject to manufacturer's tolerance of plus or minus 1/4" and change without notice. Acorn assumes no responsibility for use of void or superseded data. © Copyright 2009 Acorn Engineering Company</p>	
<p style="text-align: center;">Selection Summary</p> <p>Model No. & Option _____</p> <p>Quantity _____</p>	<p style="text-align: center;">Approved for Manufacturing</p> <p>Company _____ Title _____</p> <p>Signature _____ Date _____</p>