



## Penal-Ware® 1650 Series 20" Rectangular Lavatory



1650-1-BP-04-LOB

1650-1-BP-04

Fixture May Show Some Available Options

Please visit [www.acorneng.com](http://www.acorneng.com) for most current specifications.

### 20" Rectangular Lavatory

Fixture is arranged to be installed on finished wall and serviced from an accessible pipe chase. Optional Wall Sleeve or Metal Template is recommended on all installations for required wall openings.

**Cabinet** is fabricated from 14 gage, type 304 stainless steel and is seamless welded construction with a satin finish. Cabinet interior is sound-deadened with fire-resistant material. There are no accessible voids or crevices where contraband can be concealed.

**Lavatory Rectangular Bowl** is 14-1/2" x 9-1/2" x 5" deep. Optional Oval Bowl is 14-3/4" x 9-1/2" x 5" deep. Standard elbow waste outlet is 1-1/2" O.D. plain end and extends 3" minimum beyond the rear of the fixture.

**Optional Valve** is an pneumatically operated, pushbutton Air-Control valve using atmospheric air. Pushbutton is vandal-resistant and requires less than 5 pounds to activate valve. Valve is direct acting, non-metering type and is optionally available as metering with non-hold open feature. Metering valve timing is adjustable from 5 to 60 seconds. Valve includes a 0.5 GPM flow control and can be remotely located up to 10 feet from the operating pushbutton. Valve and Bubbler conforms with lead free requirements of NSF61, Section 9 and CHSC 116875.

**Regularly Furnished** items include a fast drain, an integral self-draining soap dish, and mounting hardware for walls up to 8" thick.

### GUIDE SPECIFICATION

Provide and install Acorn Penal-Ware 20" wide Rectangular Lavatory (specify model number and options). Fixture shall be fabricated from 14 gage, type 304 stainless steel. Construction shall be seamless welded and exposed surfaces shall have a satin finish. Countertop shall have an air-circulating, self-draining soap dish. Provide Air-Control pneumatically operated pushbutton valve. Valve and Bubbler conforms with lead free requirements of NSF61, Section 9 and CHSC 116875. Cabinet bottom shall be enclosed and have no accessible voids and crevices where contraband can be concealed. Cabinet interior is sound-deadened with fire-resistant material. Fixture shall withstand loadings of 5,000 pounds without permanent damage. Fixture shall be furnished with necessary fasteners for proper installation.



# Penal-Ware® 1650: 20" Rectangular Lavatory

### WALL THICKNESS AND TYPE (Must Specify)

Thickness: \_\_\_\_\_ Type:  Concrete  Block  Steel

### MODEL AND OPTIONS SELECTION:

#### BASE MODEL NUMBER

1650 20" Rectangular Lavatory

### FIXTURE MOUNTING AND WASTE (Must Specify)

-1 Off-Floor, Wall Outlet

### BUBBLER SELECTION (Must Specify)

- BC Bubbler, Code
- BP Bubbler, Penal
- BPH Hemispherical Penal Bubbler
- LF Lav-Filler

### VALVE SELECTION (Must Specify)

#### Air-Control (Pneumatic)

- 03 Single Temp, Non-Metering
- 03-M Single Temp, Metering
- 04 Hot & Cold, Non-MeMtering
- 04-M Hot & Cold, Metering
- 04-MH Hot & Cold, Metering Hot Side Only

#### Master-Trol® (Electronic)

- EVS1 Single Temp
- EVS2 Hot & Cold
- EVSP1 Single Temp, Piezo Button
- EVSP2 Hot & Cold, Piezo Buttons

#### Master-Trol® PLUS (Electronic)

- MTP1 Single Temp
- MTP2 Hot & Cold
- MTPP1 Single Temp, Piezo Button
- MTPP2 Hot & Cold, Piezo Buttons

#### -MTP VALVE OPTION

- PFB Power Failure Bypass  
(Provides drinking water in the event of power failure)

#### Time-Trol® (Electronic)

- MVC1 Single Temp
- MVC1-BAT Single Temp Battery Powered  
(Batteries Not Included)
- MVC2 Hot & Cold
- MVC2-BAT Hot & Cold Battery Powered  
(Batteries Not Included)

#### Programmable (Electronic) w/9VDC Plug-In Transformer

- PPZ1 Single Temp Programmable Piezo Button
- PPZ2 Hot & Cold Programmable Piezo Button

#### Valve By Others

- 9 Punched for Valve by Others

### VALVE OPTIONS

- BRS Brass Body Valve
- CI Cycle Interrupt for Time-Trol® Valves
- MA2 Manifolde, 2-Stack
- MA3 Manifolde, 3-Stack (N/A with -PFB option)
- MA4 Manifolde, 4-Stack (N/A with -PFB option)
- PBH Hemispherical Pushbutton
- PBP Pushrod Activated Pushbutton
- TF Transformer, 120VAC to 24VAC (-MVC option only)

### CABINET OPTIONS

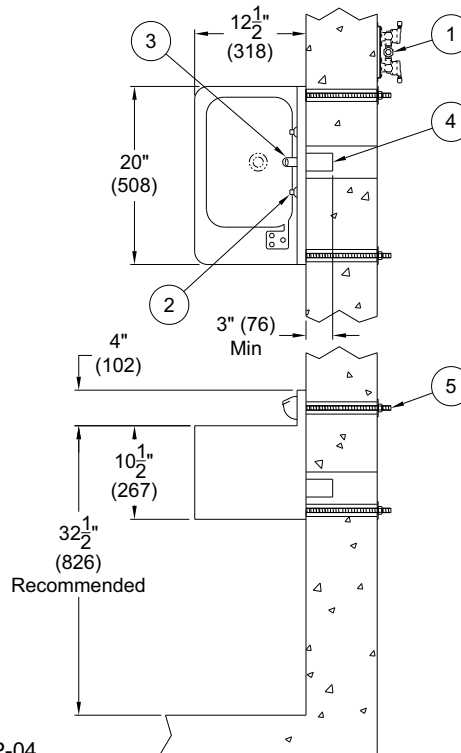
- FMT Fixture Mounted Trim
- IS Integral Shelf
- LOB Lavatory Oval Bowl
- PH Paper Holder  Left  Right
- TB Toothbrush Holder  Left  Right
- TG 12 Gage Cabinet
- TH Towel Hook  Left  Right
- VG3 Vent Grille 8-3/4" x 8-3/4"  Left  Right
- VG4 Vent Grille 8-3/4" x 17" (Bottom Only)

### LAVATORY WASTE OPTIONS

- LW1 Thru-Wall Waste Extension with P-Trap
- LWE Lavy Waste Extension (3" Standard)  
Specify Length Beyond Fixture: \_\_\_\_\_
- OF Lavatory Overflow
- PT P-Trap Waste

### PRODUCT OPTIONS

- EG Enviro-Glaze, Specify Color: \_\_\_\_\_
- MT Metal Template (Only 1 Required Per Project)
- SW Wall Sleeve
- VAC AcornVac System



1650-1-BP-04

#### NOTES:

1. -04 Air-Control Valve
2. Lavy Valve Pushbuttons
3. Lavy Bubbler
4. Lavy Waste Outlet
5. Wall Mounting Hardware

Please visit [www.acorneng.com](http://www.acorneng.com) for most current specifications.

**WARNING:** Cancer and Reproductive Harm - [www.P65Warnings.ca.gov](http://www.P65Warnings.ca.gov)

<p><b>Important:</b> Installation instructions and current rough-in are furnished with each fixture. Do not rough in without certified dimensions. Dimensions are subject to manufacturer's tolerance of plus or minus 1/4" and change without notice. Acorn assumes no responsibility for use of void or superseded data. © Copyright 2009 Acorn Engineering Company</p>	
<p style="text-align: center;">Selection Summary</p> <p>Model No. &amp; Option _____</p> <p>Quantity _____</p>	<p style="text-align: center;">Approved for Manufacturing</p> <p>Company _____ Title _____</p> <p>Signature _____ Date _____</p>