



Penal-Ware® 1679 Series Compact Blowout Jet Toilet - Off-Floor



1679-W-1

Fixture May Show Some Available Options



Please visit www.acorneng.com for most current specifications.

Compact Blowout Jet Toilet - Off-Floor

Fixture is arranged to be installed on finished wall and serviced from an accessible pipe chase. Optional Wall Sleeve or Metal Template is recommended for all installations for required wall openings. Toilet Bowl is fabricated from 14 gage, type 304 stainless steel and is seamless welded construction. Wall flange is structurally reinforced. Exterior is polished to a satin finish. The inside of the toilet bowl also has a satin finish. There are no accessible voids or crevices where contraband can be concealed.

Toilet is a blowout jet type with an elongated bowl manufactured to ASME A112.19.3 and CSA B45.4 requirements and will flush with a minimum of 25 PSI flow pressure when used in conjunction with a minimum of 1.6 GPF. Trap has a minimum of 3-1/2" seal and will pass a 2-1/8" ball. Toilet waste outlet is 2-3/8" diameter plain end extending 8-1/4" beyond the back of the unit.

Regularly Furnished items include mounting hardware for walls up to 8" thick.

GUIDE SPECIFICATION

Provide and install Acorn Penal-Ware Compact Blowout Jet Toilet (specify model number and options). Toilet bowl shall be fabricated from 14 gage, type 304 stainless steel. Construction shall be seamless welded and exposed surfaces shall have a satin finish. Toilet shall be concealed blowout jet type with an elongated bowl, a self-draining flushing rim, and an integral contoured seat. Toilet shall meet ASME A112.19.3 and CSA B45.4 requirements and will flush with a minimum of 25 PSI flow pressure when used in conjunction with a minimum of 1.6 GPF. Toilet trap shall have a minimum 3-1/2" seal that shall pass a 2-1/8" diameter ball and be fully enclosed. Fixture shall withstand loadings of 3,000 pounds without permanent damage. Fixture shall be furnished with necessary fasteners for proper installation.



Penal-Ware® 1679: Compact Blowout Jet Toilet - Off-Floor

WALL THICKNESS AND TYPE (Must Specify)

Thickness: _____ Type: Concrete Block Steel

MODEL NUMBER AND OPTIONS SELECTION:

BASE MODEL NUMBER

1679 Compact Blowout Jet Toilet

SUPPLY (Must Specify)

-W Wall (Concealed)

FIXTURE MOUNTING AND WASTE (Must Specify)

-1 Off-Floor, Wall Outlet

FLUSH VALVE GPFs (Must Specify)

- 1.28 GPF (HET)
- 1.6 GPF (Not Available in California)
- 3.5 GPF (Not Available in California)

FLUSH VALVE OPTIONS (Must Specify)

REFER TO ACORN DURA-WARE ACCESSORIES FOR FLUSH VALVE COVER #2802, BOX #2803-1 AND PANEL #2898

- EVSVF Master-Trol® Electronic Flush Valve (N/A for Top Supply)
- EVSPFV Master-Trol® Electronic Flush Valve w/ Piezo Button (N/A for Top Supply)
- FV Flush Valve, Mechanical (N/A for ADA)
- FVBO Flush Valve by Others
- FVH Flush Valve, Hydraulic (N/A for Top Supply)
- FVL Flush Valve, Lever Handle (Wall Supply)
- MTPFV Master-Trol® PLUS Electronic Flush Valve (N/A for Top Supply)
- MTPPFV Master-Trol® PLUS Electronic Flush Valve w/ Piezo Button (N/A for Top Supply)
- MVCFV Time-Trol® Electronic Flush Valve (N/A for Top Supply)

TOILET SEAT OPTIONS

- HPS High Polish Integral Seat
- HS Hinged Seat (N/A with #2802 Flush Valve Cover)

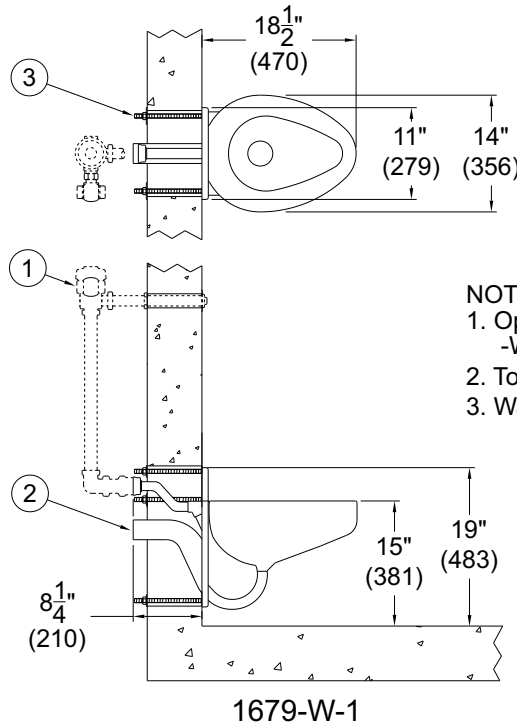
TOILET OPTIONS

- CO1 Cleanout w/ O-Ring Connecting to No-Hub 4" (Plain End Only)
- CO1-3 Cleanout w/ O-Ring Connecting to No-Hub 3" (Plain End Only, N/A with -WO3)
- COH Cleanout Hook Assembly
- FT Flood-Trol (N/A w/ Top Supply)
- FTA Flood-Trol Auto-Reset (N/A w/ Top Supply)
- FTE Flood-Trol Electronic
- FVT Flush Thru Wall Connector
- GW Gasketed Toilet Waste
- PC Pinned Cleanout Plug (For -CO1 Options above)
- TG 12 Gage Wall Flange
- TSC Toilet Shipping Cover
- TWE Toilet Waste Extension (3" Standard) Specify Length Beyond Fixture: _____
- WO3B 3" Bell Waste Outlet w/ Std. 2-3/8" Trap

PRODUCT OPTIONS

- ADA 18" Integral Seat Height
- EG Enviro-Glaze Color Specify: _____ Toilet Interior & Exterior
- EGE Enviro-Glaze Color Specify: _____ Toilet Exterior Only
- MT Metal Template (Only 1 Required Per Project)
- SW Wall Sleeve
- TF Transformer, 120VAC to 24VAC (-MVCFV option)
- VAC AcornVac System

Please visit www.acorneng.com for most current specifications.



- NOTES:**
1. Optional -FV Flush Valve -Wall Supply
 2. Toilet Waste Outlet
 3. Wall Mounting Hardware

WARNING: Cancer and Reproductive Harm - www.P65Warnings.ca.gov

<p>Important: Installation instructions and current rough-in are furnished with each fixture. Do not rough in without certified dimensions. Dimensions are subject to manufacturer's tolerance of plus or minus 1/4" and change without notice. Acorn assumes no responsibility for use of void or superseded data. © Copyright 2009 Acorn Engineering Company</p>	
<p style="text-align: center;">Selection Summary</p> <p>Model No. & Option _____</p> <p>Quantity _____</p>	<p style="text-align: center;">Approved for Manufacturing</p> <p>Company _____ Title _____</p> <p>Signature _____ Date _____</p>