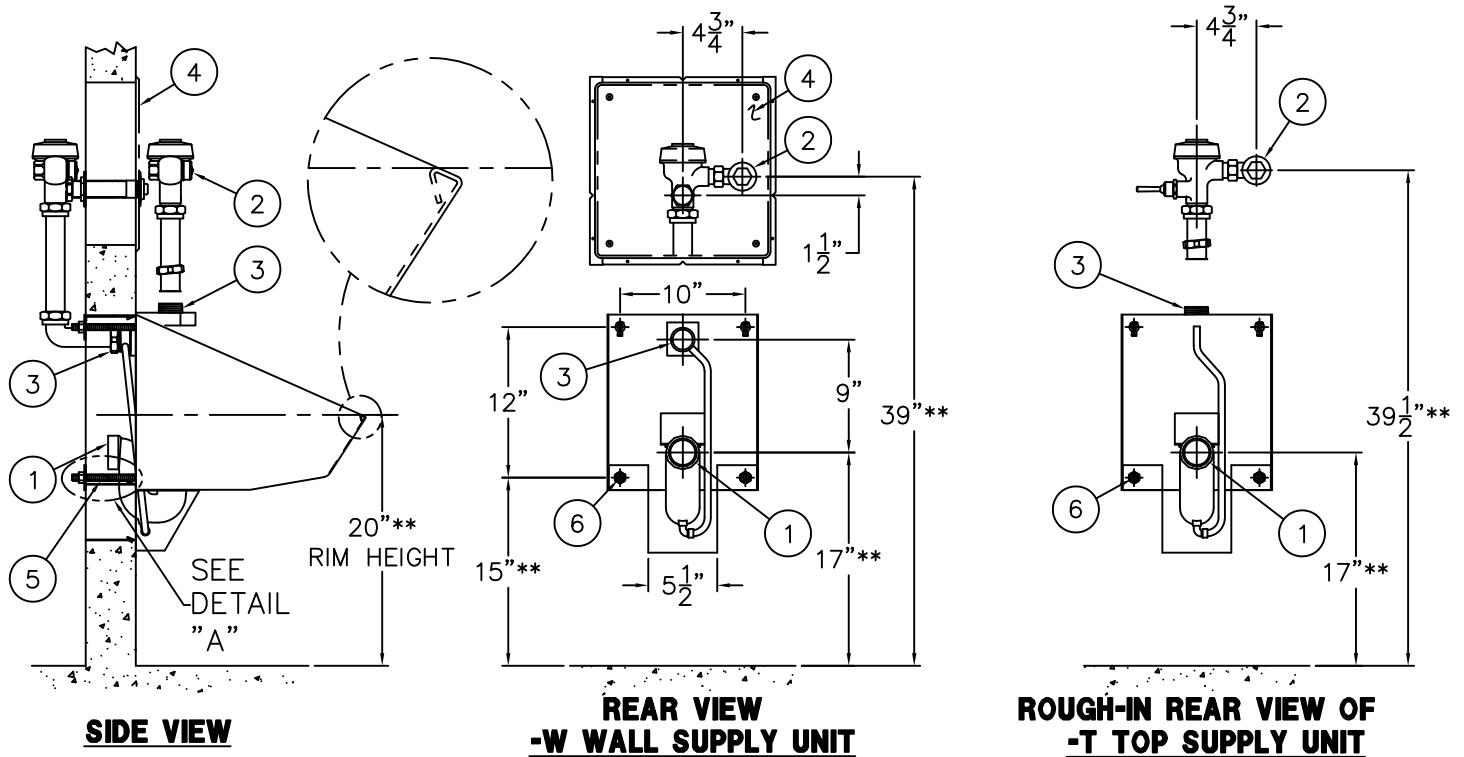


DETAIL "A"

REFERENCE DRAWING	
FLUSH VALVE ACCESS PANEL MODEL NO. 2898	9908-399-001
WALL SLEEVE -W	9925-242-001
WALL SLEEVE -T	9925-243-001



SIDE VIEW

**REAR VIEW
-W WALL SUPPLY UNIT**

**ROUGH-IN REAR VIEW OF
-T TOP SUPPLY UNIT**

INSTALLATION INSTRUCTIONS

- A- ROUGH-IN FOR THE FOLLOWING:
 - 2" NPTI WASTE OUTLET (1).
 - FLUSH VALVE INLET 1" IPS (2).
 - FIXTURE FLUSHING INLET 1-1/2" NPTE (3).
- B- FOR DURA-WARE FLUSH VALVE ACCESS PANELS (4), FOR CONCEALED FLUSH VALVE INSTALLATION REFER TO DRAWING #9908-399-001.
- C- FASTEN 1/2"-13 UNC ALL-THREAD STUDS (5) PROVIDED, TO FIXTURE MOUNTING POINTS (6) AND SLIDE STUDS (5) THRU WALL OPENINGS.
NOTE: STUDS MUST HAVE 1/2" ENGAGEMENT MIN.
- D- FROM CHASE SIDE SECURE FIXTURE USING WASHERS (7) & NUTS (8) PROVIDED.

- E- MAKE UP URINAL WASTE CONNECTION (1).
- F- CONNECT FLUSH VALVE PER MANUFACTURER'S RECOMMENDATIONS.

NOTE: FOR ADA UNITS REFER TO ADA ACCESSIBILITY GUIDELINES FOR COMPLETE INSTALLATION REQUIREMENTS.

FLUSH VALVES MUST BE HYDRAULICALLY ACTUATED OR SUPPLIED WITH AN ADA HANDLE. MAX CONTROL HEIGHT IS 44" ABOVE FINISHED FLOOR.

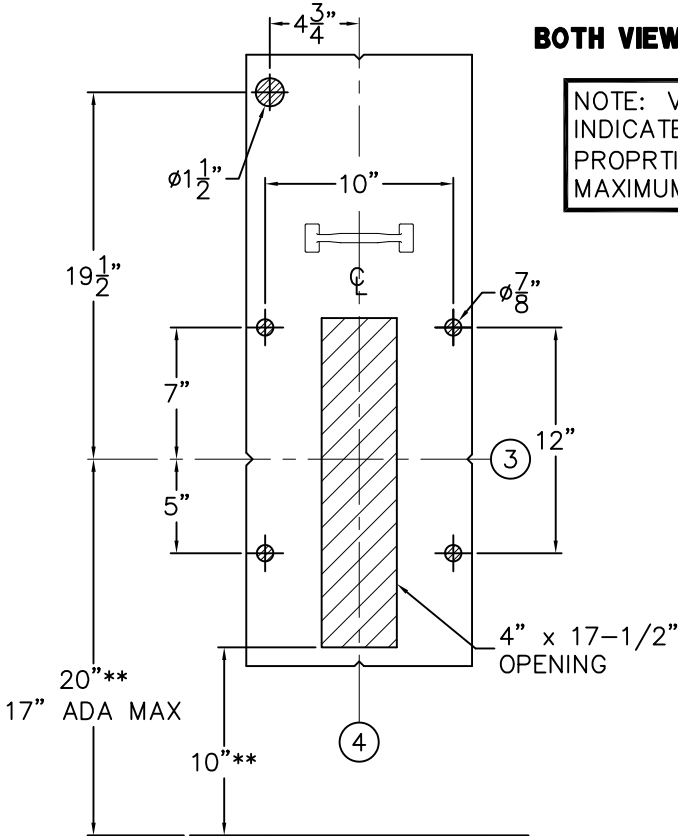
WHEN SUFFIX OPTION -ADA IS SPECIFIED; 20" RIM HEIGHT BECOMES 17" MAXIMUM. ALL VERTICAL DIMENSIONS INDICATED** DECREASE ACCORDINGLY.

ACORN ENGINEERING COMPANY P.O. BOX 3527 Industry, CA 91744 15125 Proctor Ave Industry, CA 91746 (626) 336-4561 FAX (626) 961-2200	TITLE STRADDLE TYPE BLOWOUT JET URINAL (CAT #1705-ADA)		
	MANUFACTURE DATE FEBRUARY TO PRESENT	DATE ISSUED 01/21/10 DATE REVISED 07/14/16 C	DRAWING NUMBER 9925-073-002

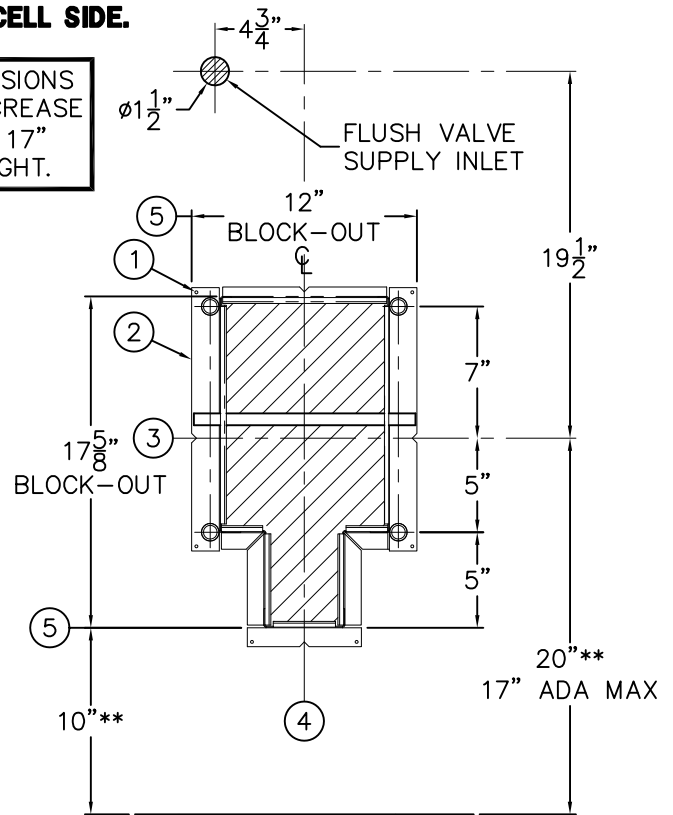


BOTH VIEWS ARE FROM CELL SIDE.

NOTE: VERTICAL DIMENSIONS INDICATED ** WILL DECREASE PROPRTIONATELY WITH 17" MAXIMUM ADA RIM HEIGHT.



-MT METAL TEMPLATE



-SW WALL SLEEVE

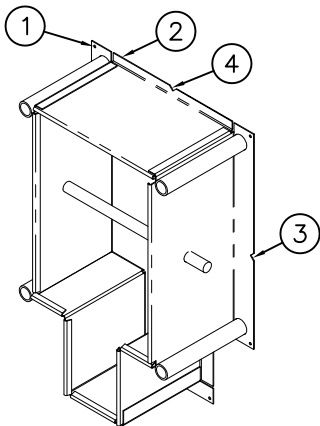
SW WALL SLEEVE

SHADED AREAS ARE REQUIRED WALL OPENINGS

SLEEVES ARE INSTALLED IN FORMS USING NAIL HOLES PROVIDED (1) OR GROUTED INTO BLOCK WALLS BECOMING A PERMANENT PART OF THE WALL.

NOTE: FOR Poured WALL CONSTRUCTION, TEMPORARY BRACING SHOULD BE INSTALLED WITHIN OPENING TO PREVENT DEFORMATION TO SLEEVE WHICH MAY OCCUR DURING POUR. DO NOT POUR DIRECTLY ON TOP OF WALL SLEEVE.

- A. INSTALL SLEEVE WITH FLANGE (2) ON CHASE SIDE OF WALL.
- B. LOCATE SIDE NOTCHES (3) AT DIMENSION SHOWN MEASURED FROM FINISHED FLOOR ON ON CELL SIDE. SIDE NOTCHES INDICATE FLOOD RIM HEIGHT OF URINAL.
- C. LOCATE VERTICAL OR TOP & BOTTOM NOTCHES (4) INDICATE CENTERLINE OF SLEEVE AND FIXTURE HOUSING.
- D. USE BLOCK-OUT DIMENSIONS SHOWN (5) WHEN SLEEVES ARE NOT AVAILABLE.



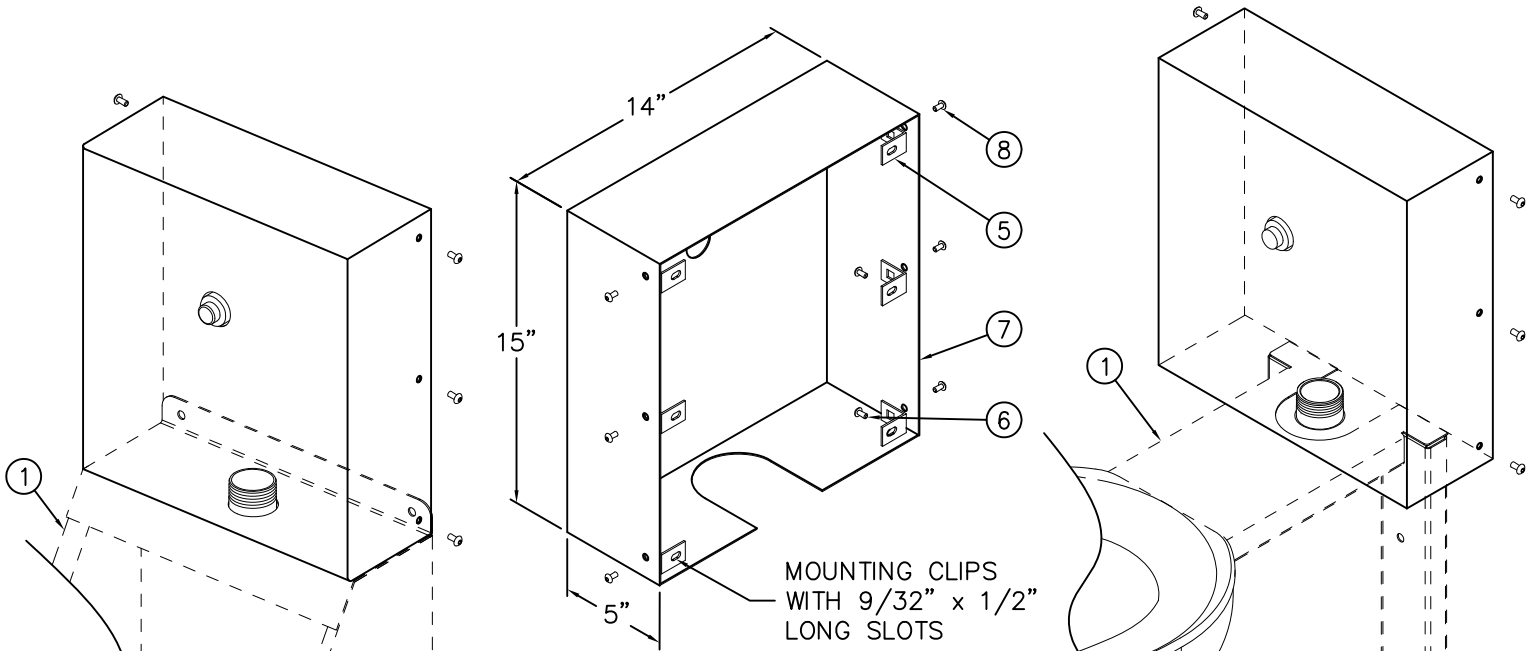
MT METAL TEMPLATES

- A. METAL TEMPLATES ARE USED TO LAYOUT REQUIRED WALL OPENINGS FOR SUBSEQUENT FLAME CUTTING OR CORE DRILLING.
- B. MEASURE FROM FINISHED FLOOR ON CELL SIDE, AND STRIKE A HORIZONTAL CHALK LINE (3) ON THE WALL AT DIMENSIONS SHOWN FOR SIDE NOTCHES, INDICATING TOILET SEAT HEIGHT ABOVE FINISHED FLOOR ON CELL SIDE.
- C. STRIKE A VERTICAL CHALK LINE (4) AT DIMENSIONS SHOWN FOR VERTICAL NOTCHES INDICATING CENTERLINE OF SLEEVE AND FIXTURE HOUSING.
- D. PLACE TEMPLATE AGAINST WALL ALIGNING VERTICAL AND HORIZONTAL NOTCHES AND MARK REQUIRED WALL OPENINGS.

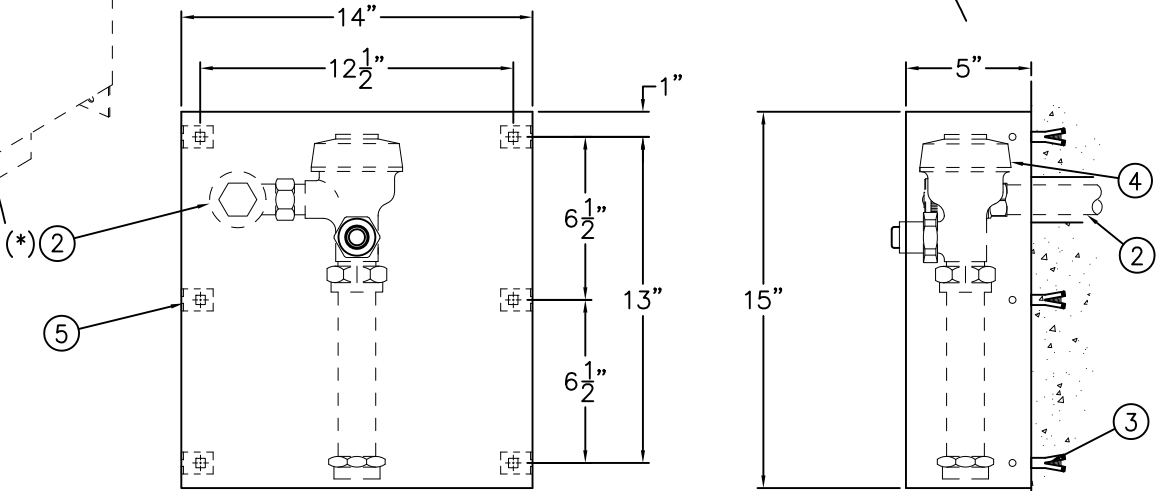


ACORN ENGINEERING COMPANY
P.O. BOX 3527 Industry, CA 91744
15125 Proctor Ave Industry, CA 91746
(626) 336-4561 FAX (626) 961-2200

TITLE SLEEVES AND TEMPLATES CAT. 1705-T, 1707-T		
MANUFACTURE DATE FEBRUARY 1975 TO PRESENT	DATE ISSUED 03/01/90	DRAWING NUMBER 9925-243-001
	DATE REVISED 11/09/12 B	



(* NOTE: WHEN MECHANICAL FLUSH VALVE IS PROVIDED BY THE FACTORY, F.V. WILL BE FOR LEFT SIDE SUPPLY INLET.



Front View of -FVC

Side View of -FVC

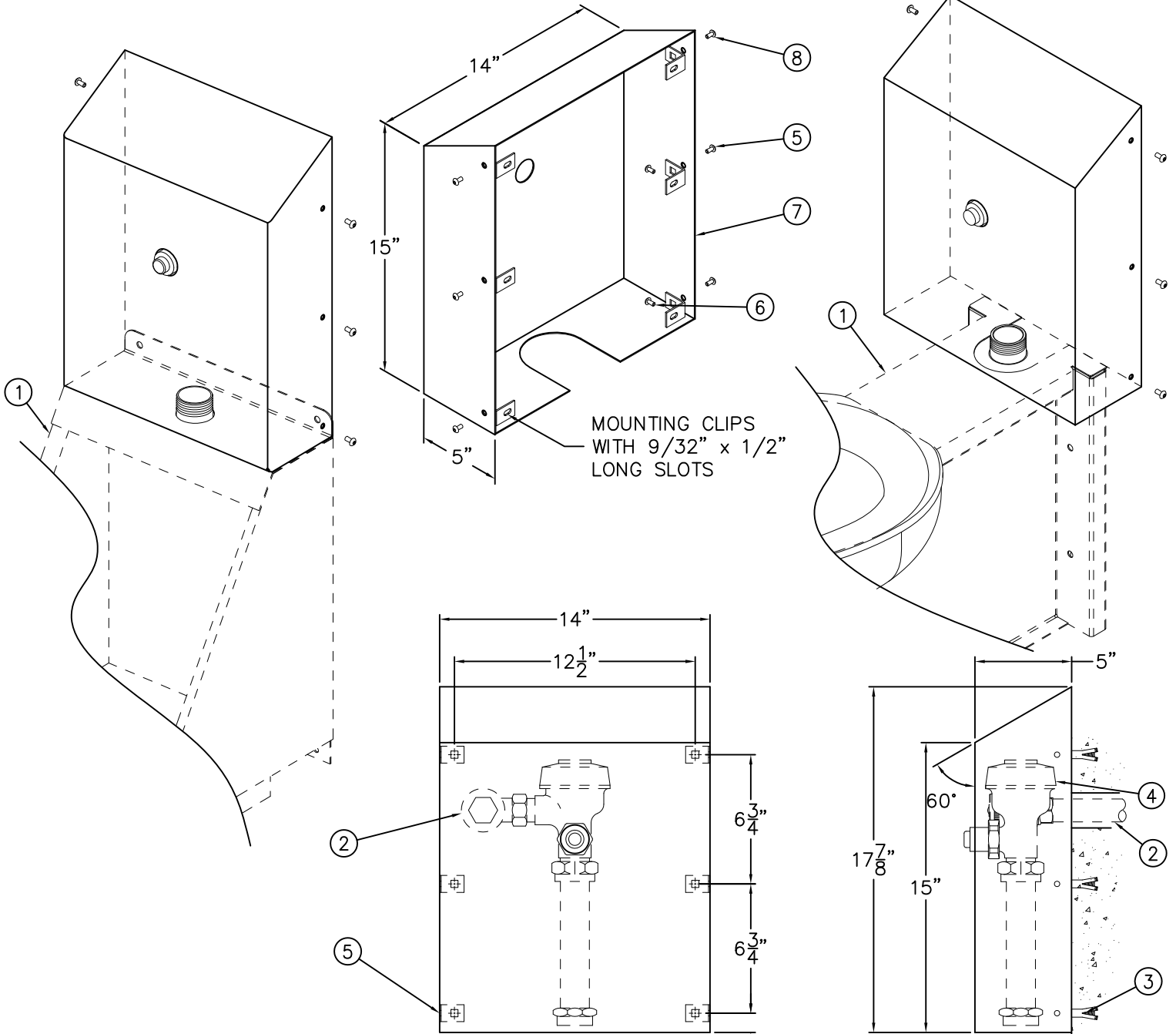
INSTALLATION INSTRUCTIONS:

- A- MOUNT FIXTURE ① TO WALL.
- B- ROUGH-IN FOR FLUSH VALVE SUPPLY ② REFER TO FIXTURE INSTALLATION INSTRUCTIONS.
- C- LOCATE AND INSTALL WALL ANCHORS (BY OTHERS) ③.
- D- INSTALL FLUSH VALVE ④ TO FIXTURE ①.
- E- ATTACH MOUNTING CLIPS ⑤ TO WALL USING MOUNTING SCREWS ⑥ (BY OTHERS).
- F- ATTACH FLUSH VALVE COVER ⑦ TO MOUNTING CLIPS ⑤ USING #10-32 SCREWS ⑧ PROVIDED.

Reference Drawings	
Security Screws	9951-005-001
Tinnerman Nuts	9951-007-001

NOTE: FIXTURES SHOWN FOR REFERENCE ONLY.

<p>ACORN ENGINEERING COMPANY P.O. BOX 3527 Industry, CA 91744 15125 Proctor Ave Industry, CA 91746 (626) 336-4561 FAX (626) 961-2200</p>	<p>TITLE -FVC FLUSH VALVE COVER #2802</p>		
	<p>MANUFACTURE DATE</p> <p>FEBRUARY 1975</p> <p>TO PRESENT</p>	<p>DATE ISSUED</p> <p>04/17/98</p>	<p>DRAWING NUMBER</p> <p>9908-395-001</p>
		<p>DATE REVISED</p> <p>12/21/16 D</p>	



INSTALLATION INSTRUCTIONS:

- A- MOUNT FIXTURE ① TO WALL.
- B- ROUGH-IN FOR FLUSH VALVE SUPPLY ② REFER TO FIXTURE INSTALLATION INSTRUCTIONS.
- C- LOCATE AND INSTALL WALL ANCHORS (BY OTHERS) ③.
- D- INSTALL FLUSH VALVE ④ TO FIXTURE ①.
- E- ATTACH MOUNTING CLIPS ⑤ TO WALL USING MOUNTING SCREWS ⑥ (BY OTHERS).
- F- ATTACH FLUSH VALVE COVER ⑦ TO MOUNTING CLIPS ⑤ USING #10-32 SCREWS ⑧ PROVIDED.

Front View of -FVC-SLPT

Side View of -FVC-SLPT

Reference Drawings	
Security Screws	9951-005-001
Tinnerman Nuts	9951-007-001

NOTE: FIXTURES SHOWN FOR REFERENCE ONLY.

<p>ACORN ENGINEERING COMPANY P.O. BOX 3527 Industry, CA 91744 15125 Proctor Ave Industry, CA 91746 (626) 336-4561 FAX (626) 961-2200</p>	<p>TITLE -FVC-SLPT FLUSH VALVE COVER WITH SLOPING TOP #2802</p>		
	<p>MANUFACTURE DATE FEBRUARY 1975 TO PRESENT</p>	<p>DATE ISSUED 03/07/11</p>	<p>DRAWING NUMBER 9908-397-001</p>
		<p>DATE REVISED 04/15/13 E</p>	