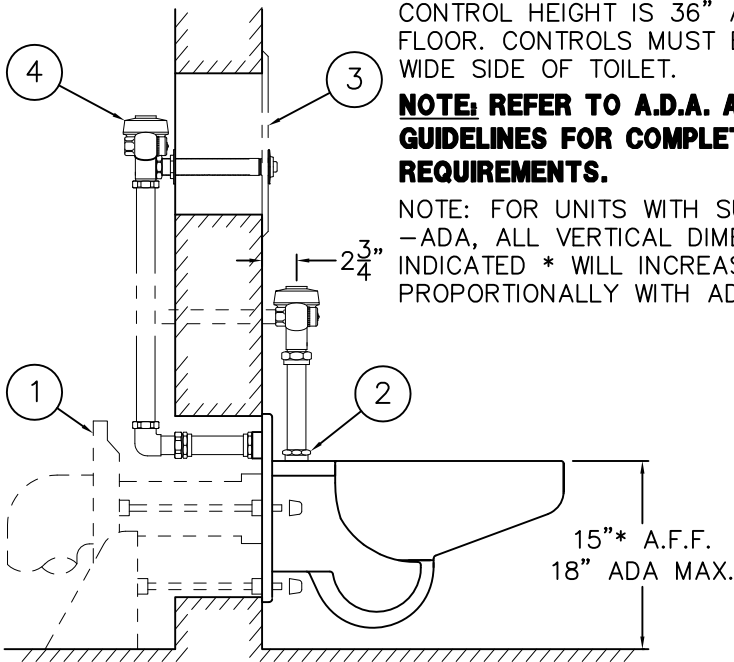


TOP VIEW

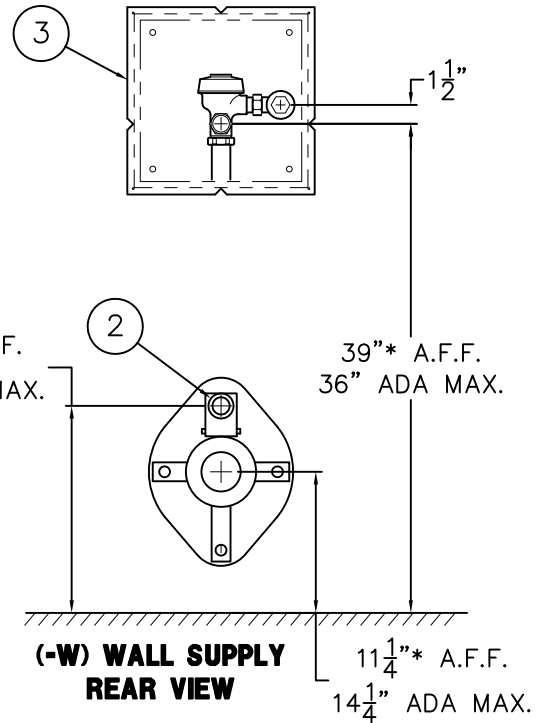
FOR -ADA MODELS - FLUSH VALVE MUST BE HYDRAULICALLY ACTUATED OR SUPPLIED WITH A SPECIAL HANDLE. MAX. CONTROL HEIGHT IS 36" ABOVE FINISHED FLOOR. CONTROLS MUST BE LOCATED ON WIDE SIDE OF TOILET.

NOTE: REFER TO A.D.A. ACCESSIBILITY GUIDELINES FOR COMPLETE INSTALLATION REQUIREMENTS.

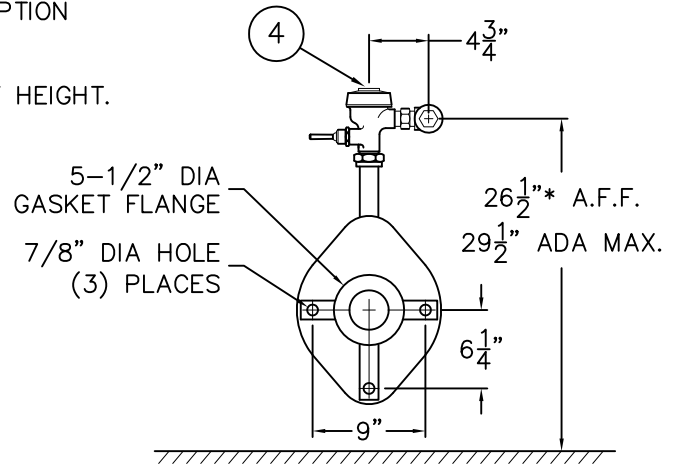
NOTE: FOR UNITS WITH SUFFIX OPTION -ADA, ALL VERTICAL DIMENSIONS INDICATED * WILL INCREASE PROPORTIONALLY WITH ADA SEAT HEIGHT.



SIDE VIEW



(-W) WALL SUPPLY REAR VIEW



(-T) TOP SUPPLY REAR VIEW

NOTE: FOR UNITS WITH -W WALL SUPPLY FLUSH VALVE, ACCESS FOR CONNECTING AND SERVICING FLUSH VALVE IS REQUIRED.

INSTALLATION INSTRUCTIONS

A- WASTE FITTINGS (1) BY OTHERS. THESE FITTINGS ARE NORMALLY FURNISHED COMPLETE WITH WASTE CONNECTION, SUPPORTING STUDS AND CP CAP NUTS. CONTACT THE SELECTED MANUFACTURER FOR DETAILS.

B- ROUGH-IN FOR FLUSHING INLET 1-1/2" NPT (2).

C- FOR DURA-WARE FLUSH VALVE ACCESS PANELS (3), FOR CONCEALED FLUSH VALVE INSTALLATION REFER TO DRAWING #9908-399-001.

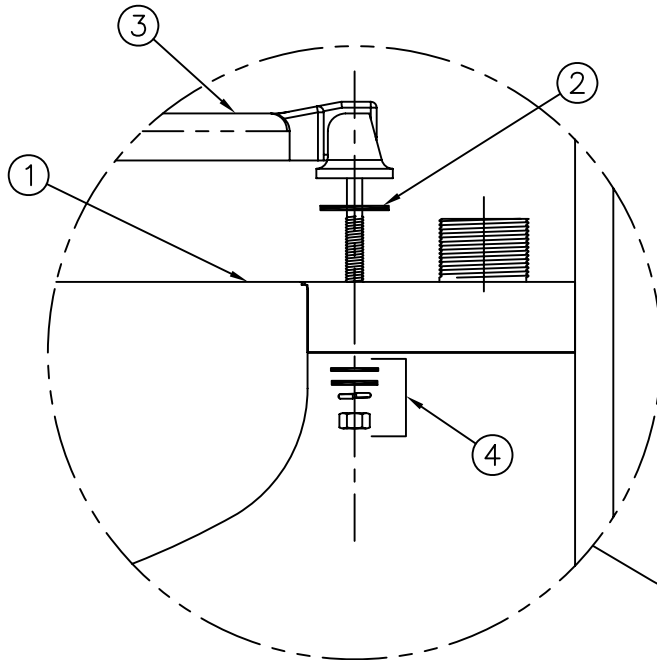
D- MOUNT FIXTURE TO THE WALL CARRIER. PLACE ON 5/8" STUDS (BY OTHERS) AND ATTACH WITH -CN CAP NUTS (OPTIONAL).

E- FLUSH SUPPLY LINE. MAKE-UP WASTE CONNECTION AND MOUNT FLUSH VALVE (4) PER MANUFACTURERS' RECOMMENDATIONS.

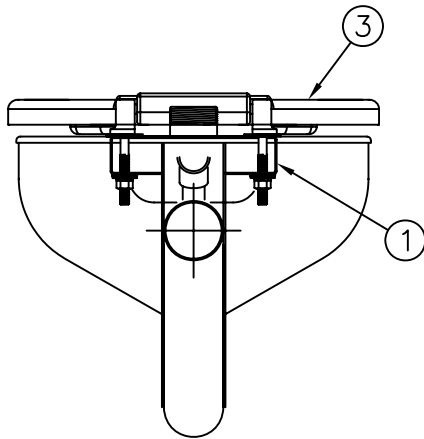


ACORN ENGINEERING COMPANY
P.O. BOX 3527 Industry, CA 91744
15125 Proctor Ave Industry, CA 91746
(626) 336-4561 FAX (626) 961-2200

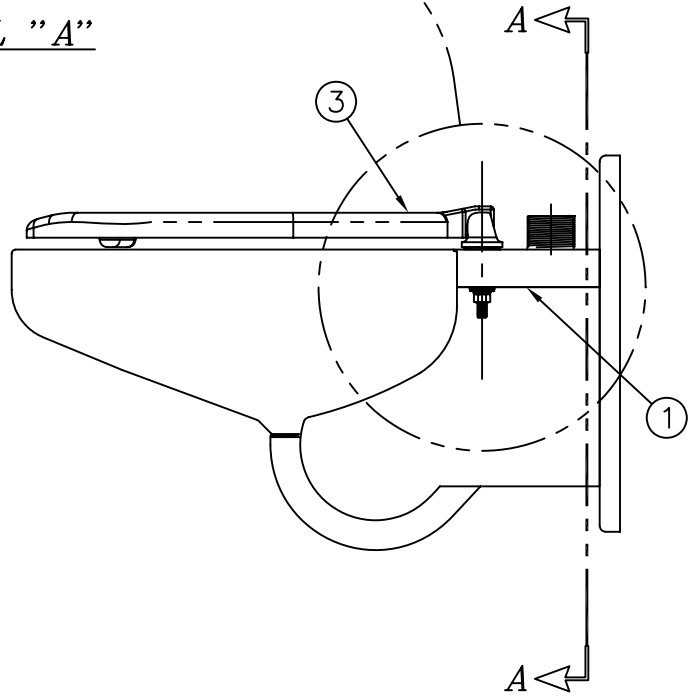
TITLE BLOWOUT JET TOILET - OFF FLOOR (CAT. #2100 & 2100-ADA)		
MANUFACTURE DATE FEBRUARY 1975 TO PRESENT	DATE ISSUED 06/01/90	DRAWING NUMBER 9908-400-001
	DATE REVISED 04/08/13	



DETAIL "A"



SECTION A-A



INSTALLATION INSTRUCTIONS-HINGED SEAT AFTER MOUNTING FIXTURE ON WALL:

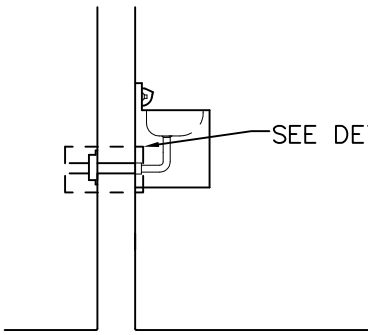
- A-LOCATE HINGED SEAT MOUNTING HOLES IN FIXTURE ①.
- B-INSERT WASHERS ② BETWEEN TOP OF TOILET AND HINGE SEAT ③.

- C-POSITION HINGED SEAT ③ ON TOP OF UNIT.
- C-ASSEMBLE HARDWARE ④ AS SHOWN IN MOUNTING DETAIL "A".

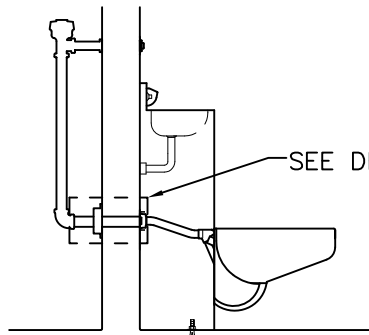


ACORN ENGINEERING COMPANY
P.O. BOX 3527 INDUSTRY, CA. 91744
(626) 336-4561 FAX (626) 961-2200

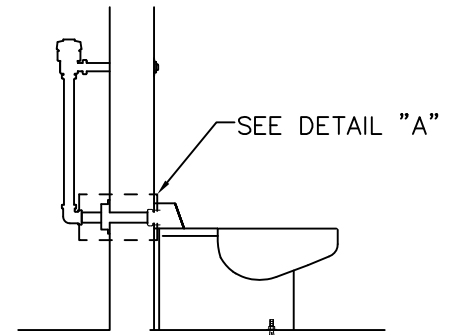
TITLE -HS HINGED SEAT OPTION INSTALLATION DETAIL - TOILETS		
MANUFACTURE DATE	DATE ISSUED	DRAWING NUMBER
APRIL 2008	04/09/08	9908-415-001
TO PRESENT	DATE REVISED	



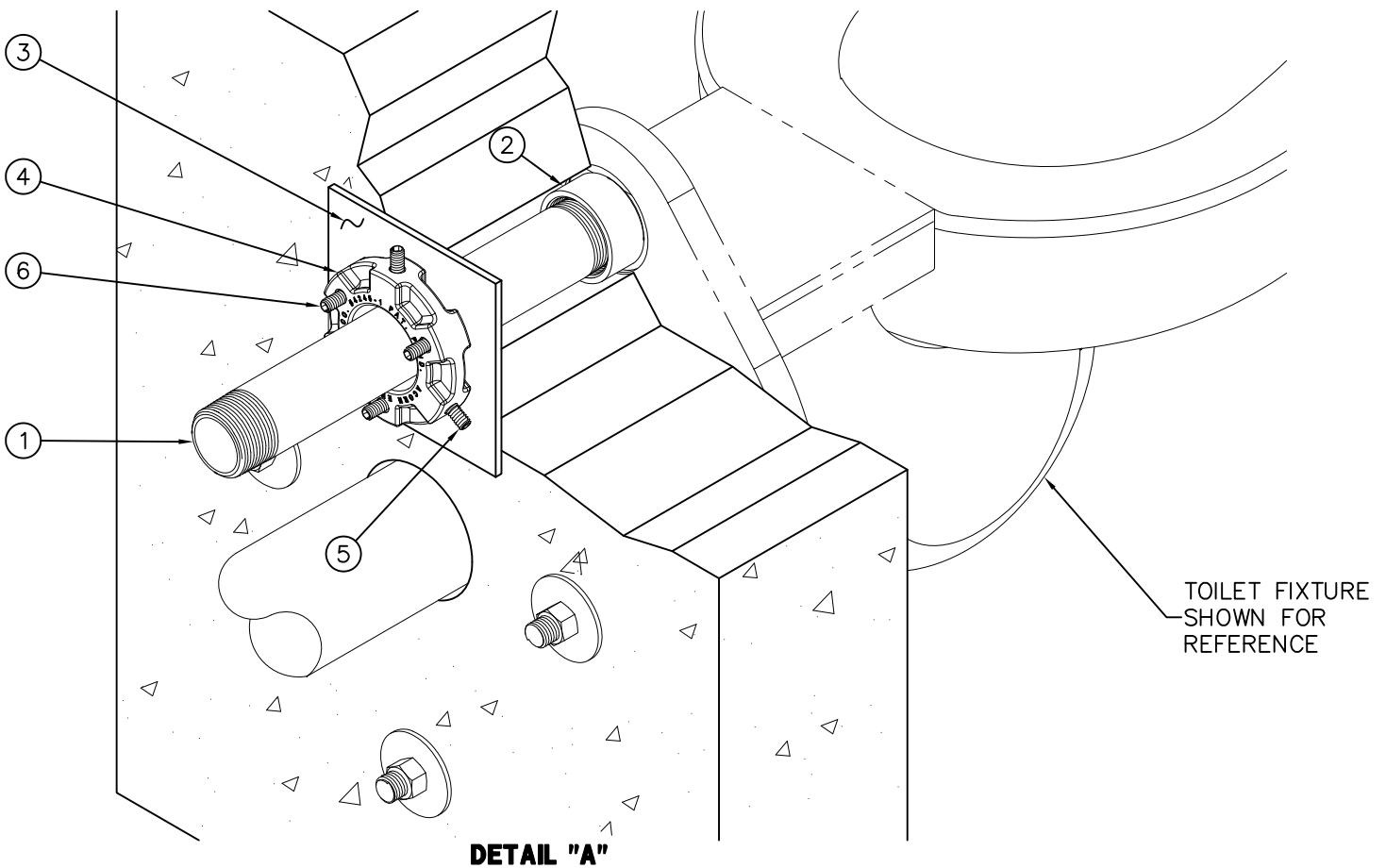
Lavy Waste Connection



Comby Flushing Inlet Connection



Toilet Flushing Inlet Connection



INSTALLATION INSTRUCTIONS:

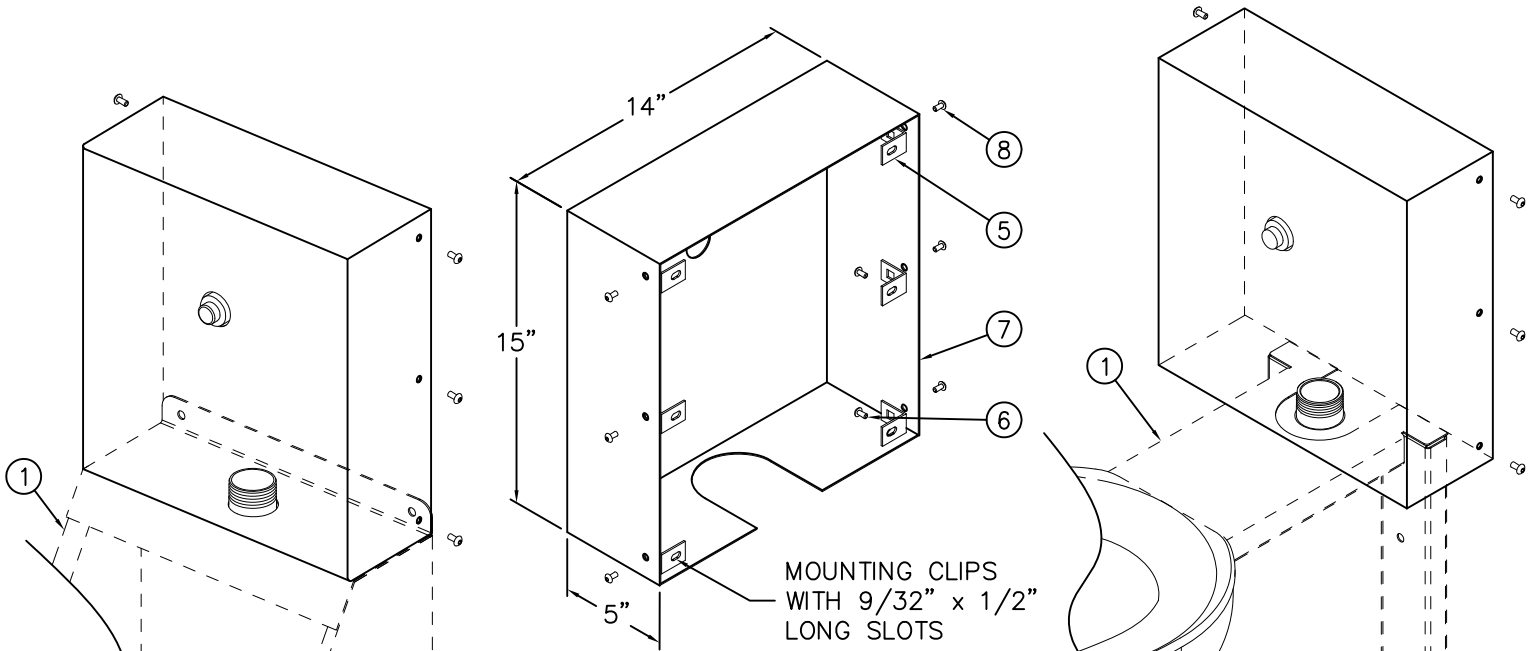
- A- SECURE PIPE (1) TO FIXTURE CONNECTION (2) THROUGH WALL.
- B- PLACE THRUST PLATE (3) FLUSH AGAINST WALL.
- C- PLACE ANCHORING COLLAR (4) FLUSH AGAINST THRUST PLATE (3).
- D- HOLD UNIT AGAINST WALL, PARALLEL TO THE FLOOR.

- E- TIGHTEN SCREWS (5) (3 PLACES) TO SECURE ANCHORING COLLAR (4) TO PIPE (1).
- F- TIGHTEN SCREWS (6) (3 PLACES) TO PULL PIPE (1) AND PUSH AGAINST THRUST PLATE (3) IN ORDER TO HOLD FIXTURE WITH TENSION AGAINST WALL.

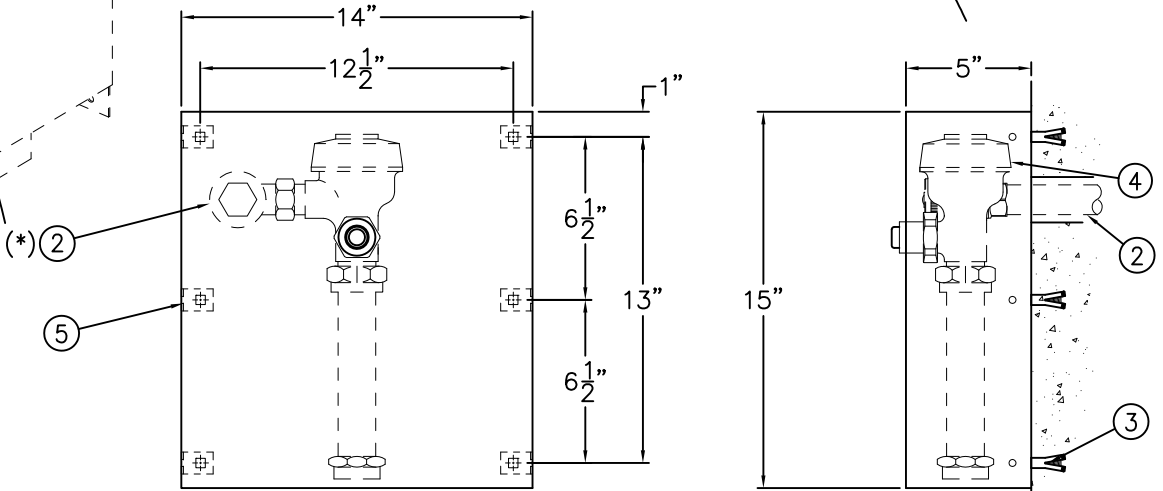


ACORN ENGINEERING COMPANY
 P.O. BOX 3527 Industry, CA 91744
 15125 Proctor Ave Industry, CA 91746
 (626) 336-4561 FAX (626) 961-2200

TITLE 3395 ANCHORING ASSEMBLY		
MANUFACTURE DATE MAY 1998 TO PRESENT	DATE ISSUED 10/06/99	DRAWING NUMBER 9925-759-001
	DATE REVISED 04/08/11	



(* NOTE: WHEN MECHANICAL FLUSH VALVE IS PROVIDED BY THE FACTORY, F.V. WILL BE FOR LEFT SIDE SUPPLY INLET.



Front View of -FVC

Side View of -FVC

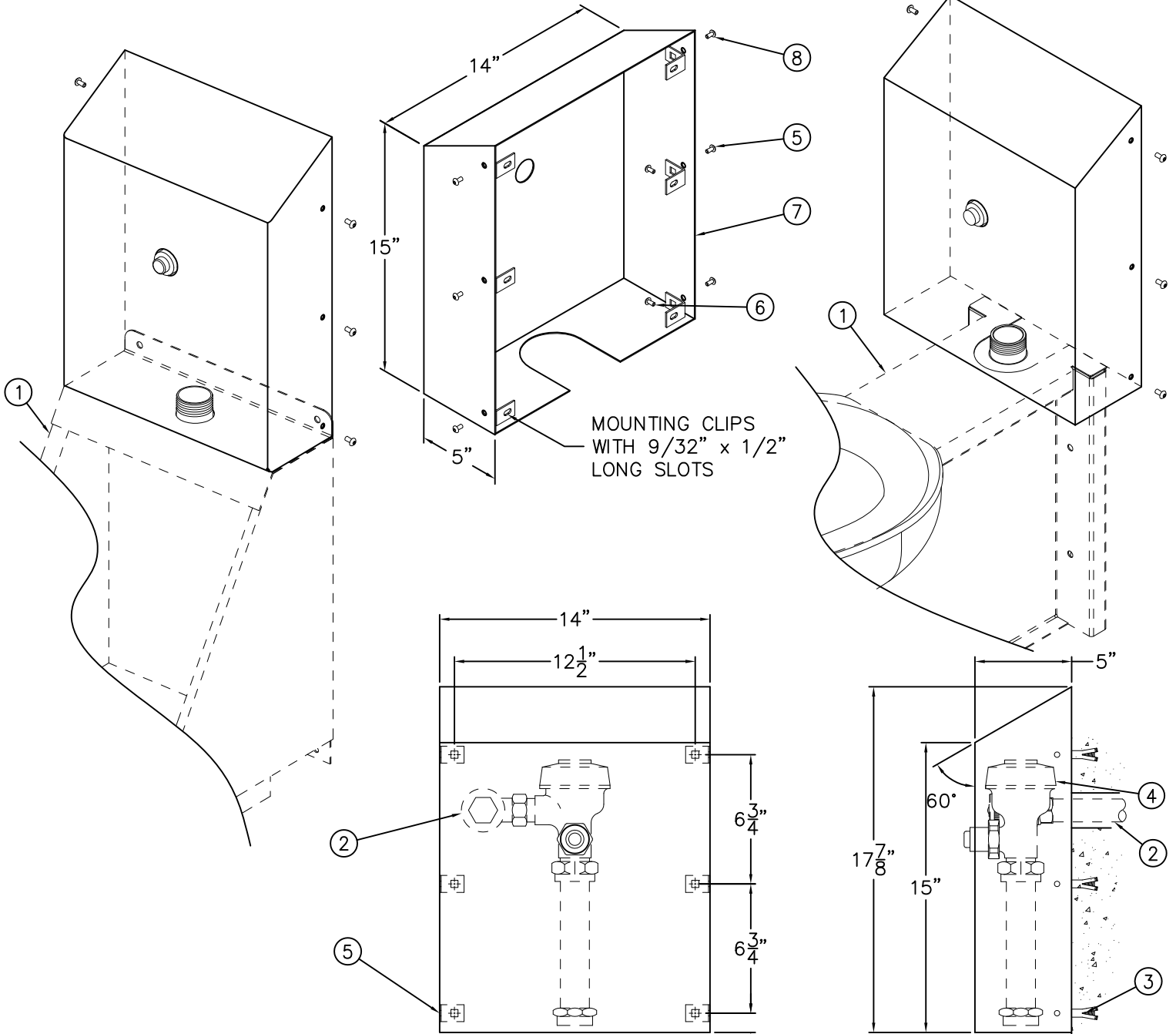
INSTALLATION INSTRUCTIONS:

- A- MOUNT FIXTURE ① TO WALL.
- B- ROUGH-IN FOR FLUSH VALVE SUPPLY ② REFER TO FIXTURE INSTALLATION INSTRUCTIONS.
- C- LOCATE AND INSTALL WALL ANCHORS (BY OTHERS) ③.
- D- INSTALL FLUSH VALVE ④ TO FIXTURE ①.
- E- ATTACH MOUNTING CLIPS ⑤ TO WALL USING MOUNTING SCREWS ⑥ (BY OTHERS).
- F- ATTACH FLUSH VALVE COVER ⑦ TO MOUNTING CLIPS ⑤ USING #10-32 SCREWS ⑧ PROVIDED.

Reference Drawings	
Security Screws	9951-005-001
Tinnerman Nuts	9951-007-001

NOTE: FIXTURES SHOWN FOR REFERENCE ONLY.

<p>ACORN ENGINEERING COMPANY P.O. BOX 3527 Industry, CA 91744 15125 Proctor Ave Industry, CA 91746 (626) 336-4561 FAX (626) 961-2200</p>	<p>TITLE -FVC FLUSH VALVE COVER #2802</p>	
	<p>MANUFACTURE DATE</p> <p>FEBRUARY 1975</p> <p>TO PRESENT</p>	<p>DATE ISSUED</p> <p>04/17/98</p> <p>DATE REVISED</p> <p>12/21/16 D</p>



INSTALLATION INSTRUCTIONS:

- A- MOUNT FIXTURE ① TO WALL.
- B- ROUGH-IN FOR FLUSH VALVE SUPPLY ② REFER TO FIXTURE INSTALLATION INSTRUCTIONS.
- C- LOCATE AND INSTALL WALL ANCHORS (BY OTHERS) ③.
- D- INSTALL FLUSH VALVE ④ TO FIXTURE ①.
- E- ATTACH MOUNTING CLIPS ⑤ TO WALL USING MOUNTING SCREWS ⑥ (BY OTHERS).
- F- ATTACH FLUSH VALVE COVER ⑦ TO MOUNTING CLIPS ⑤ USING #10-32 SCREWS ⑧ PROVIDED.

Front View of -FVC-SLPT

Side View of -FVC-SLPT

Reference Drawings	
Security Screws	9951-005-001
Tinnerman Nuts	9951-007-001

NOTE: FIXTURES SHOWN FOR REFERENCE ONLY.

<p>ACORN ENGINEERING COMPANY P.O. BOX 3527 Industry, CA 91744 15125 Proctor Ave Industry, CA 91746 (626) 336-4561 FAX (626) 961-2200</p>	<p>TITLE -FVC-SLPT FLUSH VALVE COVER WITH SLOPING TOP #2802</p>		
	<p>MANUFACTURE DATE FEBRUARY 1975 TO PRESENT</p>	<p>DATE ISSUED 03/07/11</p>	<p>DRAWING NUMBER 9908-397-001</p>
		<p>DATE REVISED 04/15/13 E</p>	