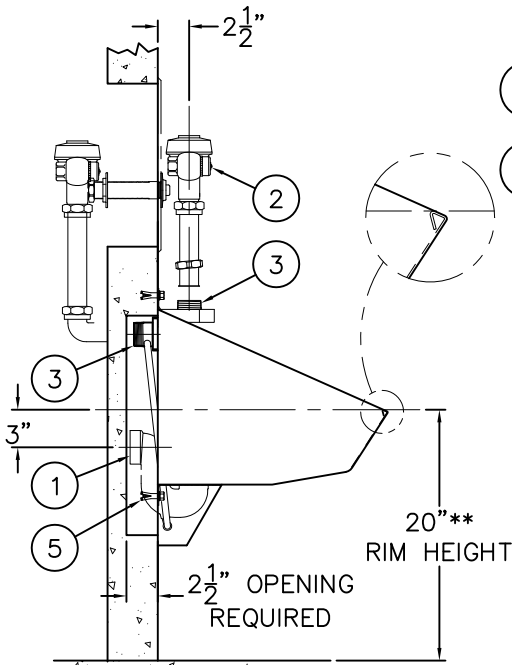
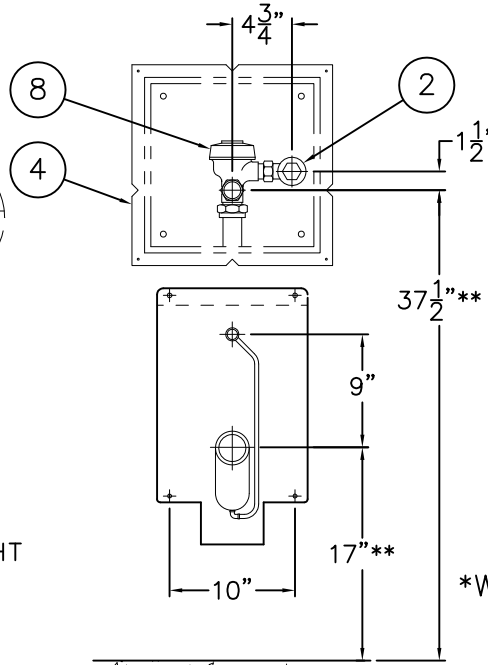


**DETAIL 'A'**

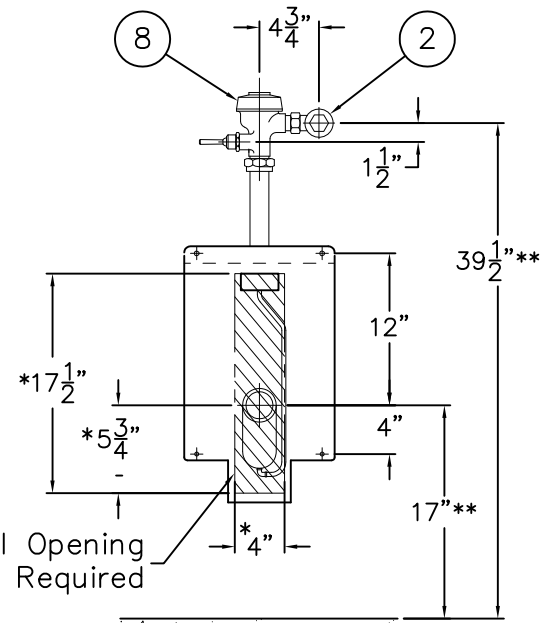
REFERENCE DRAWING	
FLUSH VALVE ACCESS PANEL MODEL NO. 2898	9908-399-001
WASTE CONNECTION ADAPTERS	9985-100-002



**SIDE VIEW**



**ROUGH-IN REAR VIEW OF  
-W WALL SUPPLY UNIT**



**ROUGH-IN REAR VIEW OF  
-T TOP SUPPLY UNIT**

**INSTALLATION INSTRUCTIONS:**

- A-ROUGH-IN FOR THE FOLLOWING:
- 2" WASTE OUTLET. ADAPTER FURNISHED ① IS FOR 2" NCT X O-RING (SEE DETAIL 'A'). FOR WASTE PIPING OTHER THAN 2" NCT, SEE DRAWING #9985-100-002.
  - FLUSH VALVE INLET 1" NPT ②.
  - FIXTURE FLUSHING INLET 1-1/2" NPT ③.
- B- FOR DURA-WARE FLUSH VALVE ACCESS PANELS ④, FOR CONCEALED FLUSH VALVE INSTALLATION REFER TO DRAWING #9908-399-001.
- C- INSTALL WALL ANCHORS (BY OTHERS) FOR 1/4"-20 X 2" LONG SCREWS ⑤.

- D- SOLDER ADAPTER ① TO 2" NCT WASTE LINE (BY OTHERS). IF STUB-OUT ⑥ IS OTHER THAN 2" NCT, MAKE THE CONNECTION AS NECESSARY.
- E- LUBRICATE O-RING ⑦ & SLIDE ONTO ADAPTER ①. SLIDE FIXTURE ONTO O-RING WASTE ADAPTER ①. ATTACH FIXTURE TO WALL USING (4) MOUNTING SCREWS ⑤ PROVIDED.
- F- CONNECT FLUSH VALVE ⑧ PER MANUFACTURERS' RECOMMENDATIONS.

**NOTE:** FOR ADA UNITS REFER TO ADA ACCESSIBILITY GUIDELINES FOR COMPLETE INSTALLATION REQUIREMENTS.

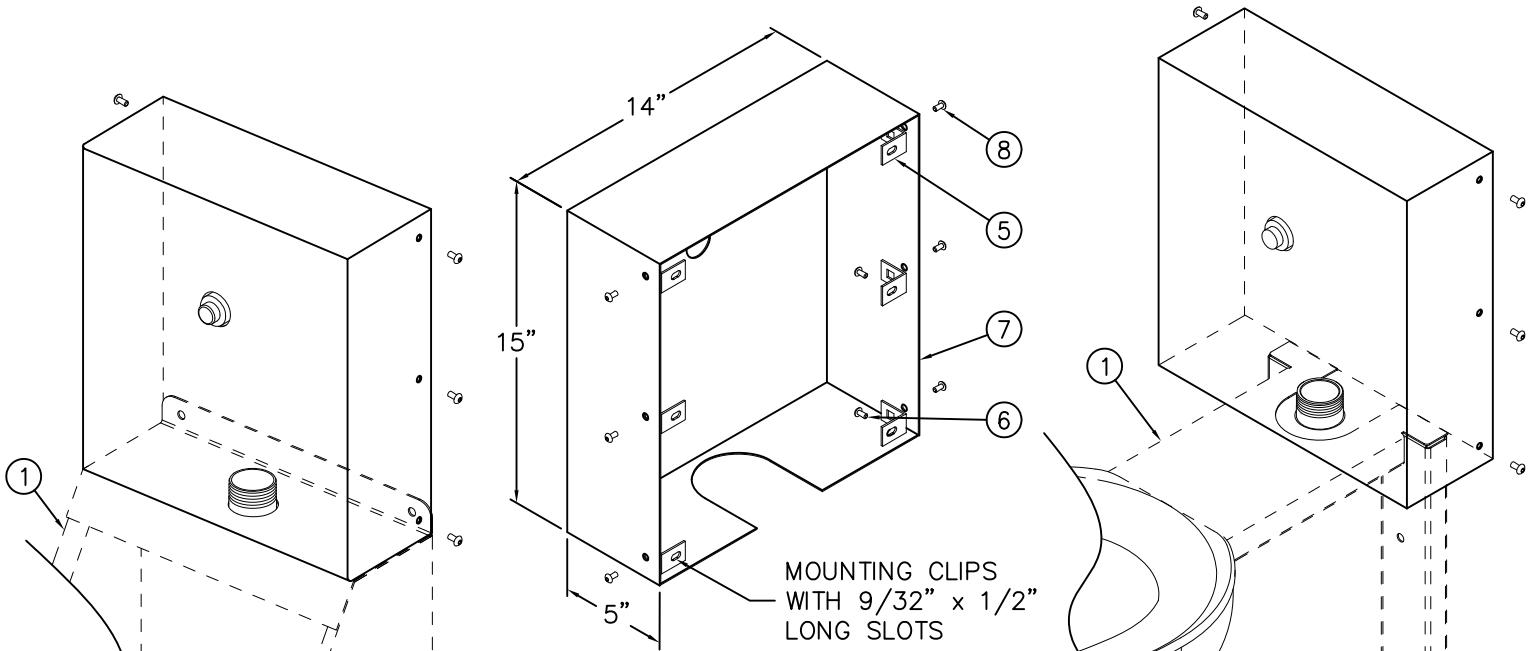
FLUSH VALVES MUST BE HYDRAULICALLY ACTUATED OR SUPPLIED WITH AN ADA HANDLE. MAX CONTROL HEIGHT IS 44" ABOVE FINISHED FLOOR.

WHEN SUFFIX OPTION -ADA IS SPECIFIED; 20" RIM HEIGHT BECOMES 17" MAXIMUM. ALL VERTICAL DIMENSIONS INDICATED\*\* DECREASE ACCORDINGLY.

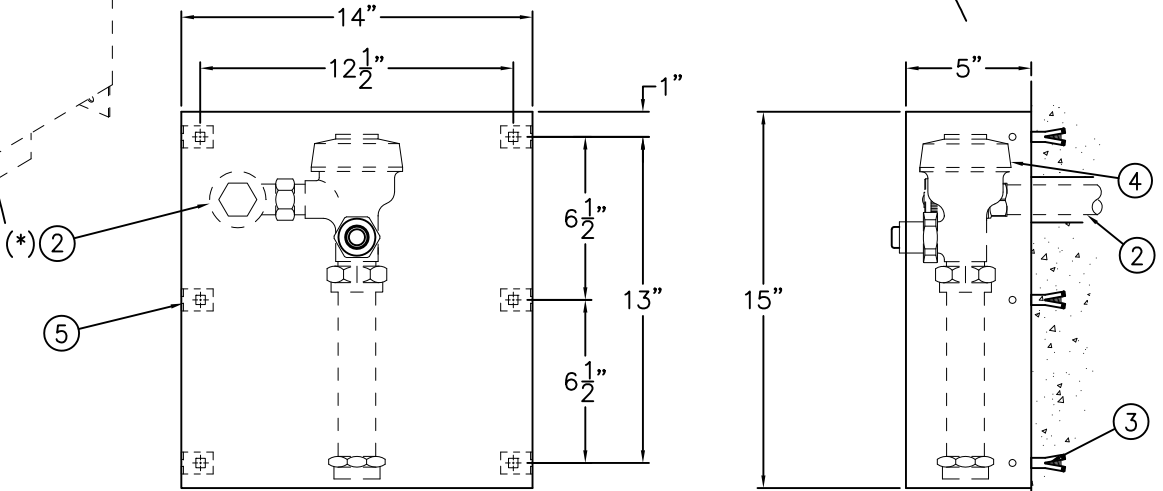


ACORN ENGINEERING COMPANY  
P.O. BOX 3527 Industry, CA 91744  
15125 Proctor Ave Industry, CA 91746  
(626) 336-4561 FAX (626) 961-2200

TITLE		
<b>STRADDLE TYPE BLOWOUT JET URINAL (CAT #2165) (CAT #2165-ADA)</b>		
MANUFACTURE DATE	DATE ISSUED	DRAWING NUMBER
<b>MARCH 1977 TO PRESENT</b>	<b>06/01/90</b>	<b>9908-305-001</b>
	DATE REVISED	
	<b>02/10/12</b>	



(\* NOTE: WHEN MECHANICAL FLUSH VALVE IS PROVIDED BY THE FACTORY, F.V. WILL BE FOR LEFT SIDE SUPPLY INLET.



Front View of -FVC

Side View of -FVC

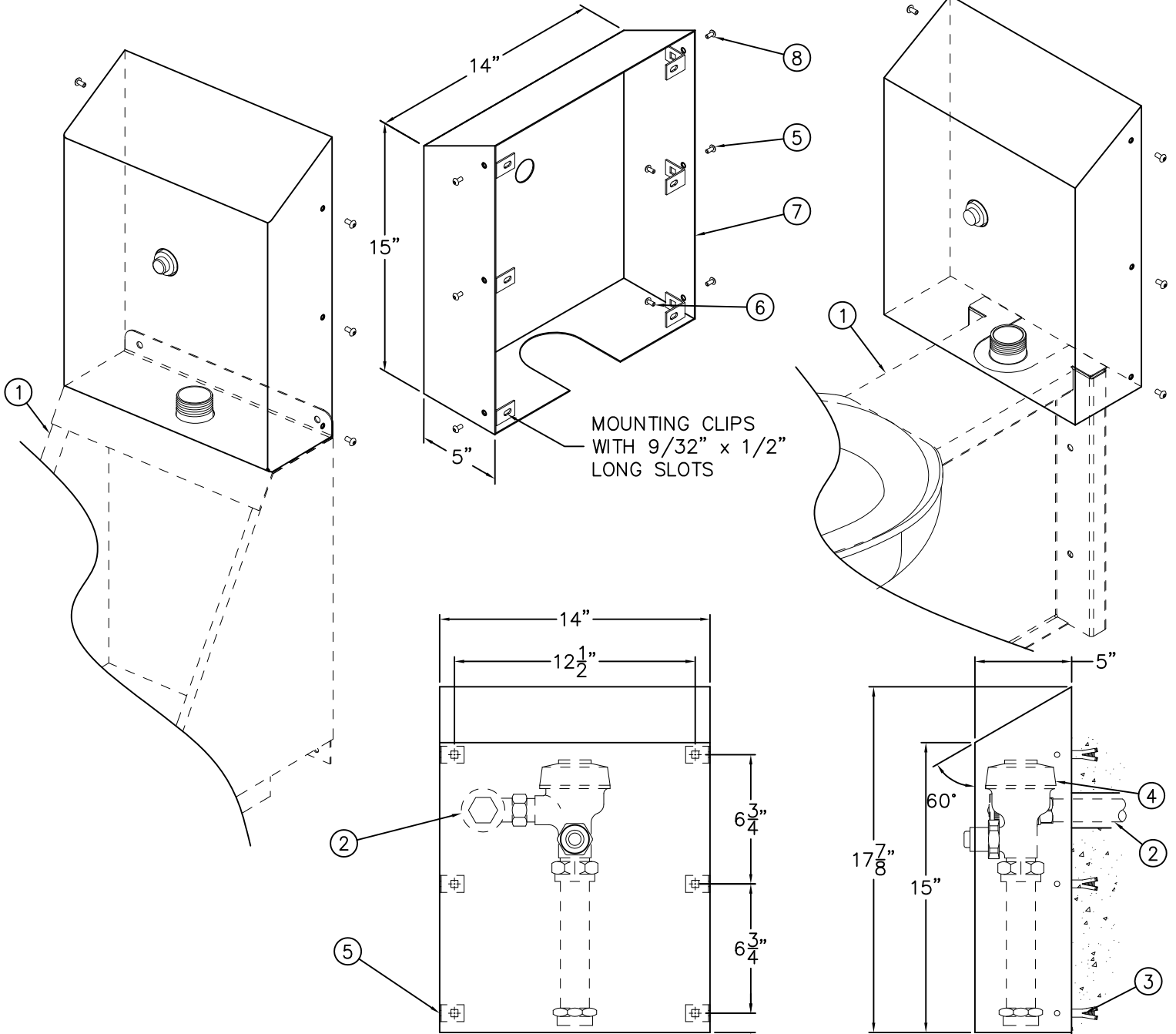
**INSTALLATION INSTRUCTIONS:**

- A- MOUNT FIXTURE ① TO WALL.
- B- ROUGH-IN FOR FLUSH VALVE SUPPLY ② REFER TO FIXTURE INSTALLATION INSTRUCTIONS.
- C- LOCATE AND INSTALL WALL ANCHORS (BY OTHERS) ③.
- D- INSTALL FLUSH VALVE ④ TO FIXTURE ①.
- E- ATTACH MOUNTING CLIPS ⑤ TO WALL USING MOUNTING SCREWS ⑥ (BY OTHERS).
- F- ATTACH FLUSH VALVE COVER ⑦ TO MOUNTING CLIPS ⑤ USING #10-32 SCREWS ⑧ PROVIDED.

Reference Drawings	
Security Screws	9951-005-001
Tinnerman Nuts	9951-007-001

**NOTE: FIXTURES SHOWN FOR REFERENCE ONLY.**

<p>ACORN ENGINEERING COMPANY P.O. BOX 3527 Industry, CA 91744 15125 Proctor Ave Industry, CA 91746 (626) 336-4561 FAX (626) 961-2200</p>	<p>TITLE <b>-FVC FLUSH VALVE COVER #2802</b></p>		
	<p>MANUFACTURE DATE</p> <p><b>FEBRUARY 1975</b></p> <p><b>TO PRESENT</b></p>	<p>DATE ISSUED</p> <p><b>04/17/98</b></p>	<p>DRAWING NUMBER</p> <p><b>9908-395-001</b></p>
		<p>DATE REVISED</p> <p><b>12/21/16 D</b></p>	



MOUNTING CLIPS WITH 9/32" x 1/2" LONG SLOTS

Front View of -FVC-SLPT

Side View of -FVC-SLPT

**INSTALLATION INSTRUCTIONS:**

- A- MOUNT FIXTURE ① TO WALL.
- B- ROUGH-IN FOR FLUSH VALVE SUPPLY ② REFER TO FIXTURE INSTALLATION INSTRUCTIONS.
- C- LOCATE AND INSTALL WALL ANCHORS (BY OTHERS) ③.
- D- INSTALL FLUSH VALVE ④ TO FIXTURE ①.
- E- ATTACH MOUNTING CLIPS ⑤ TO WALL USING MOUNTING SCREWS ⑥ (BY OTHERS).
- F- ATTACH FLUSH VALVE COVER ⑦ TO MOUNTING CLIPS ⑤ USING #10-32 SCREWS ⑧ PROVIDED.

Reference Drawings	
Security Screws	9951-005-001
Tinnerman Nuts	9951-007-001

NOTE: FIXTURES SHOWN FOR REFERENCE ONLY.

<p>ACORN ENGINEERING COMPANY P.O. BOX 3527 Industry, CA 91744 15125 Proctor Ave Industry, CA 91746 (626) 336-4561 FAX (626) 961-2200</p>	<p>TITLE <b>-FVC-SLPT FLUSH VALVE COVER WITH SLOPING TOP #2802</b></p>		
	<p>MANUFACTURE DATE</p> <p><b>FEBRUARY 1975</b></p> <p><b>TO PRESENT</b></p>	<p>DATE ISSUED</p> <p><b>03/07/11</b></p>	<p>DRAWING NUMBER</p> <p><b>9908-397-001</b></p>
		<p>DATE REVISED</p> <p><b>04/15/13 E</b></p>	