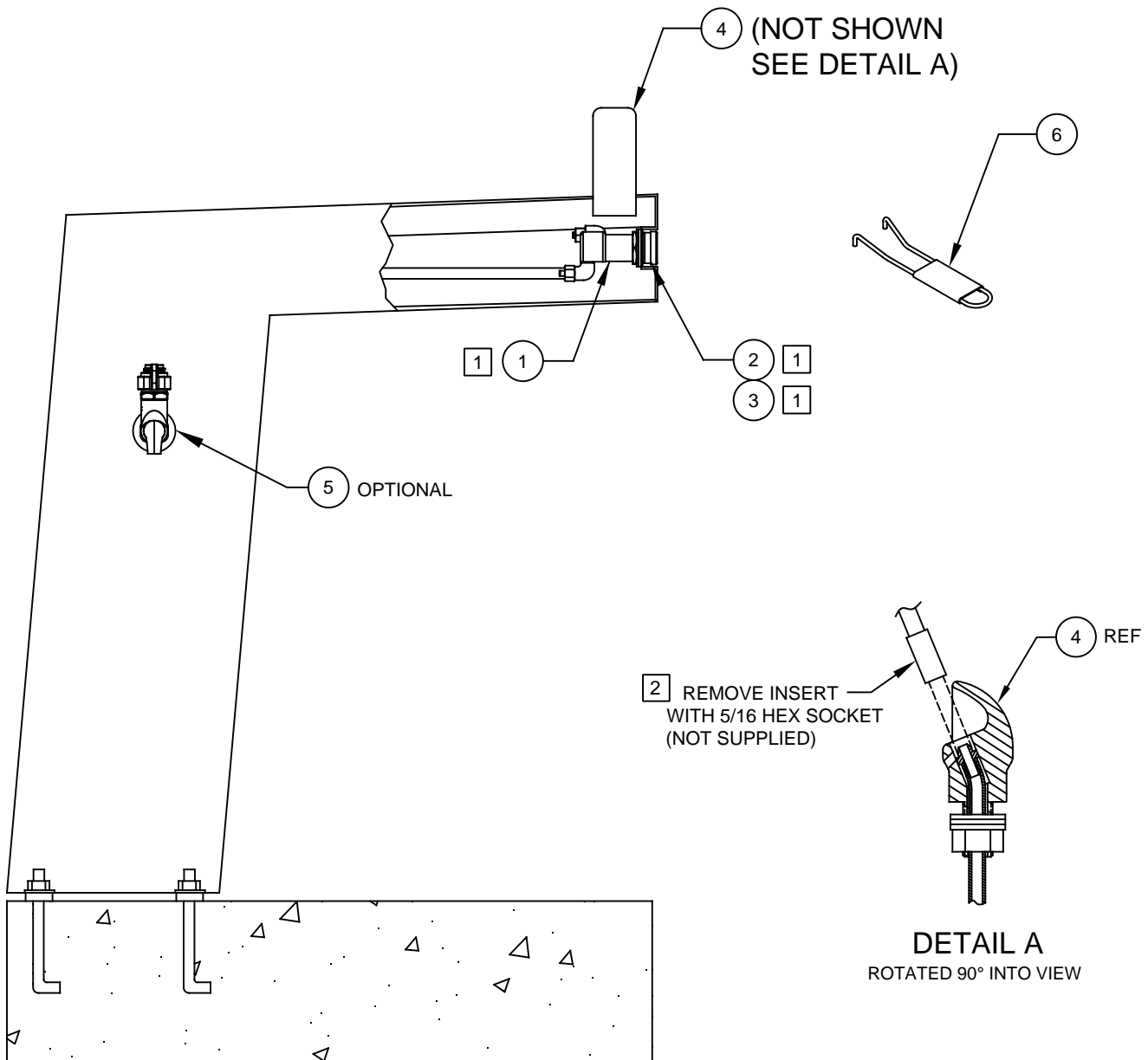


ITEM	DESCRIPTION	3202/3202G
1	BUTTON, PUSH, RECESSED, PCP W/ VALVE	5874PB
2	VALVE REPAIR KIT	VRK5874
3	BUTTON ASSEMBLY, PUSH, 5874	PBA7
4	BUBBLER HEAD ASSEMBLY, PCP	5703M
5	BIB FAUCET (OPTIONAL)	6250LF
6	SPANNER WRENCH	0006983506


NOTES:

- 1 5874PB (ITEM 1) INCLUDES VRK5874 CARTRIDGE ASSEMBLY (ITEM 2) AND PBA7 RECESSED PUSH BUTTON (ITEM 3).
- 2 ENSURE TUBE IS DISCONNECTED FROM PUSH BUTTON VALVE BODY PRIOR TO REMOVAL. APPLY ONE DROP OF LOCTITE 222MS TO NOZZLE THREADS PRIOR TO FASTENING BACK ONTO BUBBLER HEAD. RE-ATTACH TUBE TO VALVE.



PARTS BREAKDOWN

WHEN ORDERING PARTS PLEASE SPECIFY MODEL NUMBER.

		Haws [®]		1455 KLEPPE LANE SPARKS, NEVADA 89431 (775) 359-4712 FAX (775) 359-7424 E-MAIL: HAWS@HAWSCO.COM WEBSITE: WWW.HAWSCO.COM	
				ECN NO. REVISED PER BY ECN: 5265 JP	MODEL(S) 3202/3202G
DRAWN D. OLLOM	DATE 11-25-95	CHKD GC			
APPROVED FV	DATE 02/23/18	SCALE: 1:4	DRAWING TYPE: PARTS BREAKDOWN	SIZE: A	SHEET 1 OF 1