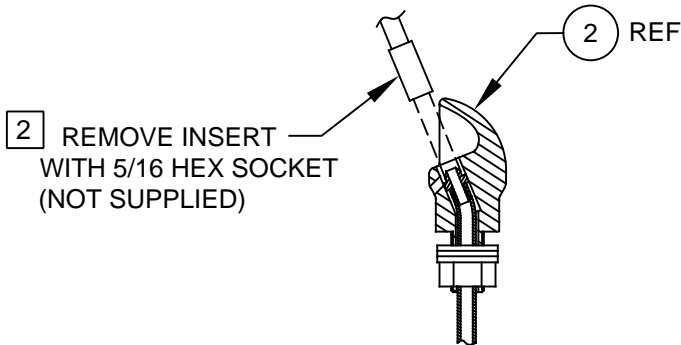
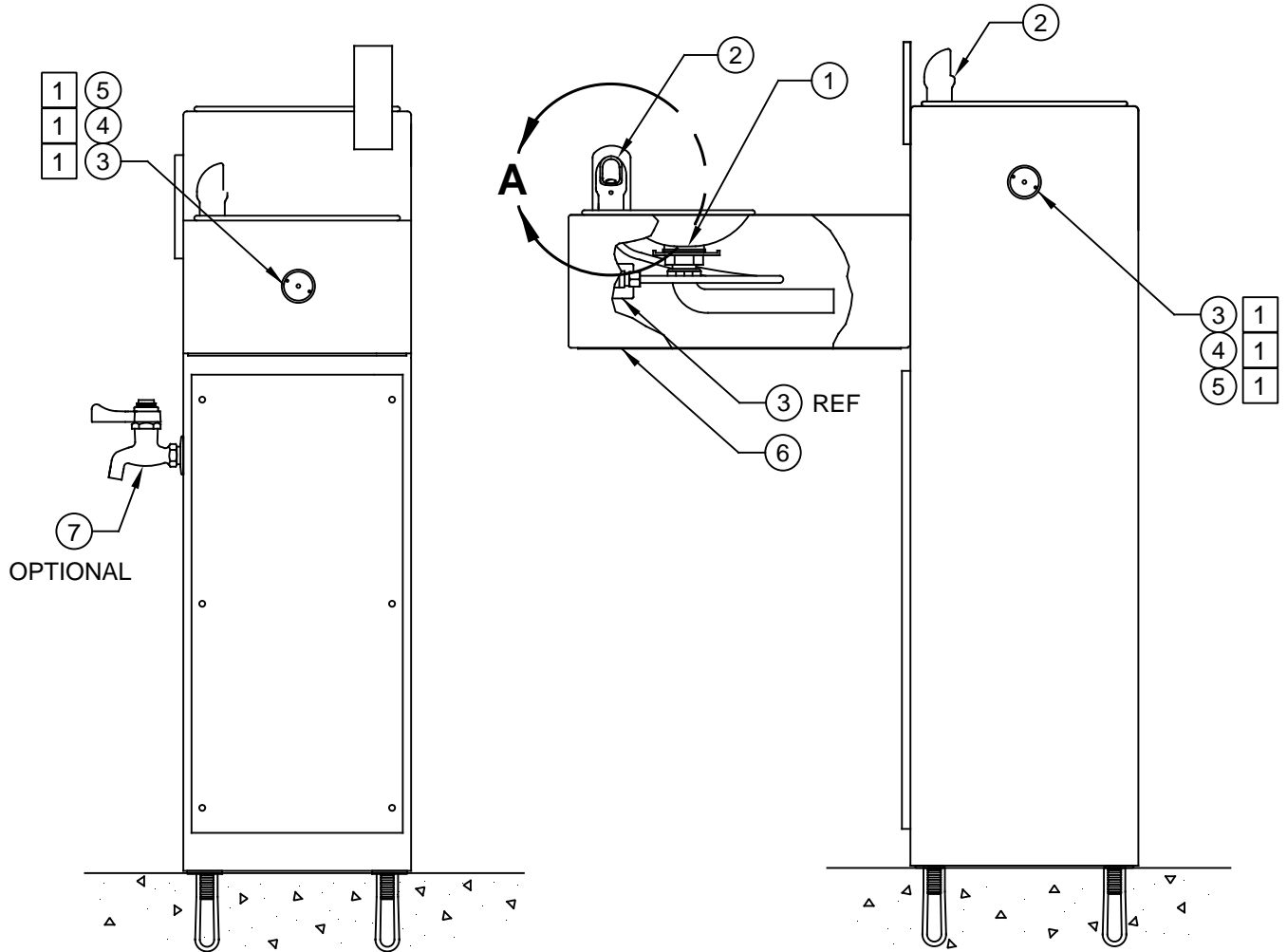


ITEM	DESCRIPTION	PART NO.
1	STRAINER ASSY	6466
2	BUBBLER HEAD	5703M
3	BUTTON, PUSH, REC W/ VALVE	5874PB
4	VALVE REPAIR KIT	VRK5874
5	BUTTON, ASSY, PUSH, 5874	PBA7
6	PLATE, BOTTOM	PBM1025
7	BIB FAUCET (OPTIONAL)	6250LF

NOTES:


- 1 5874PB (ITEM 3) INCLUDES VRK5874 CARTRIDGE ASSEMBLY (ITEM 4) AND PBA7 RECESSED PUSH BUTTON (ITEM 5).
- 2 ENSURE TUBE IS DISCONNECTED FROM PUSH BUTTON VALVE BODY PRIOR TO REMOVAL. APPLY ONE DROP OF LOCTITE 222MS TO NOZZLE THREADS PRIOR TO FASTENING BACK ONTO BUBBLER HEAD. RE-ATTACH TUBE TO VALVE.



DETAIL A
ROTATED 90° INTO VIEW

PARTS BREAKDOWN

WHEN ORDERING PARTS PLEASE SPECIFY MODEL NUMBER.

		1455 KLEPPE LANE SPARKS, NEVADA 89431 (775) 359-4712 FAX (775) 359-7424 E-MAIL: HAWS@HAWS.CO.COM WEBSITE: WWW.HAWS.CO.COM	
ECN NO.	REVISED PER	BY	MODEL(S)
	ECN: 5189	JP	3300/3300G
DRAWN	DATE	CHKD	PART NUMBER
D. OLLOM	11/25/96	VWC	0002077341
APPROVED	DATE		REVISION
FV	07/07/17		21
SCALE: 1:1		DRAWING TYPE: PARTS BREAKDOWN	SIZE: A SHEET 1 OF 1