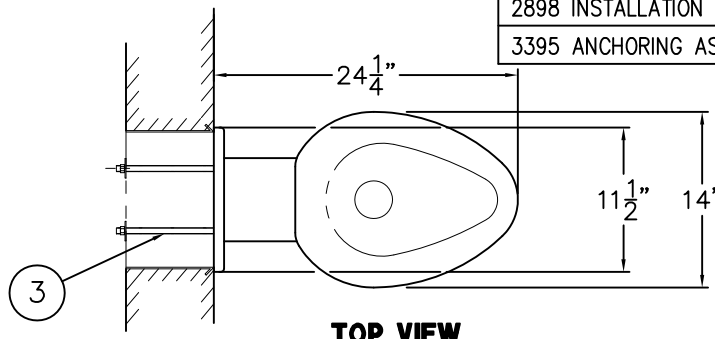




**NOTE:** USE MOUNTING HARDWARE FROM ORIGINAL UNIT TO MOUNT THE REPLACEWARE UNIT.

| REFERENCE DRAWINGS      |              |
|-------------------------|--------------|
| 2898 INSTALLATION       | 9908-399-001 |
| 3395 ANCHORING ASSEMBLY | 9925-759-001 |

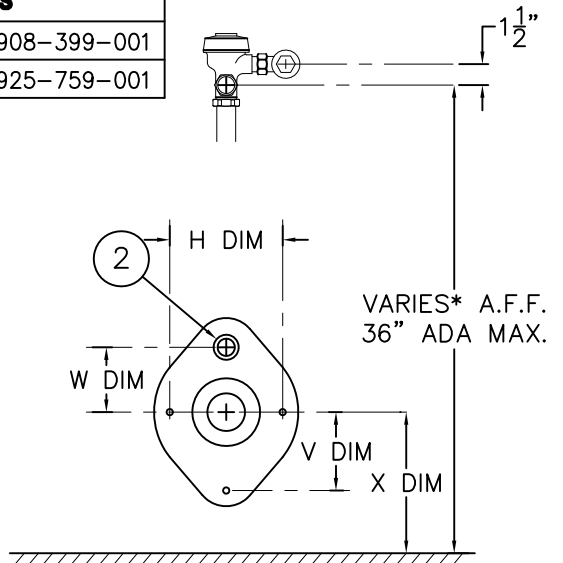


**TOP VIEW**

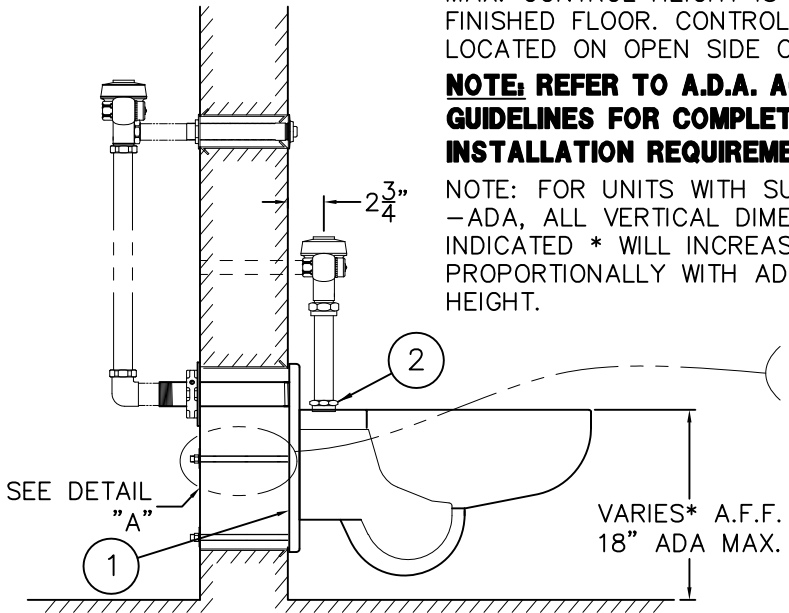
**FOR -ADA MODELS** -FLUSH VALVE MUST BE HYDRAULICALLY ACTUATED OR SUPPLIED WITH A SPECIAL HANDLE. MAX. CONTROL HEIGHT IS 36" ABOVE FINISHED FLOOR. CONTROLS MUST BE LOCATED ON OPEN SIDE OF TOILET.

**NOTE: REFER TO A.D.A. ACCESSIBILITY GUIDELINES FOR COMPLETE INSTALLATION REQUIREMENTS.**

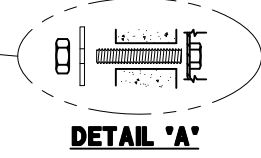
NOTE: FOR UNITS WITH SUFFIX OPTION -ADA, ALL VERTICAL DIMENSIONS INDICATED \* WILL INCREASE PROPORTIONALLY WITH ADA SEAT HEIGHT.



**(-W) WALL SUPPLY**

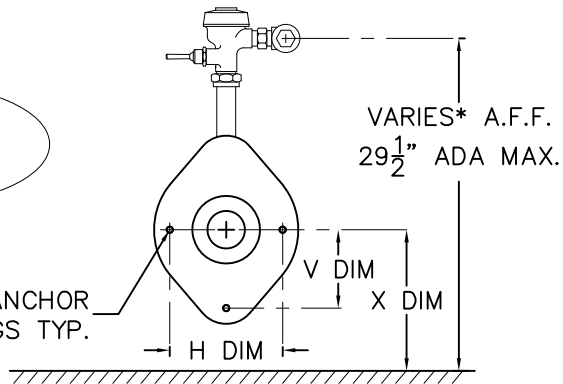


**SIDE VIEW**



**DETAIL 'A'**

1/2" ANCHOR TAPPINGS TYP.



**(-T) TOP SUPPLY**

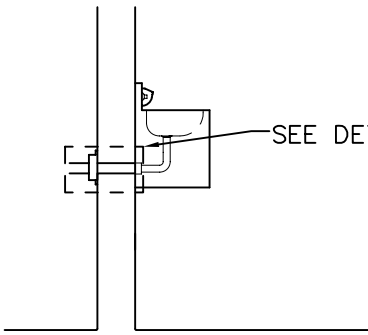
**INSTALLATION INSTRUCTIONS**

- A- ROUGH-IN EXISTING PLUMBING FOR THE FOLLOWING CONNECTIONS:
  - TOILET WALL WASTE OUTLET-5 1/2" GASKET WASTE ①.
  - FLUSHING INLET CONNECTION 1-1/2" NPT ②
- B- INSTALL PRE-EXISTING 1/2"-13 ALL THREAD STUDS ③ INTO ANCHOR TAPPINGS AT REAR OF FIXTURE. STUDS MUST HAVE A MINIMUM 1/2" ENGAGEMENT.
- C- PLACE TOILET UP AGAINST CELL WALL, SLIDING THE STUDS THROUGH WALL OPENINGS.
 

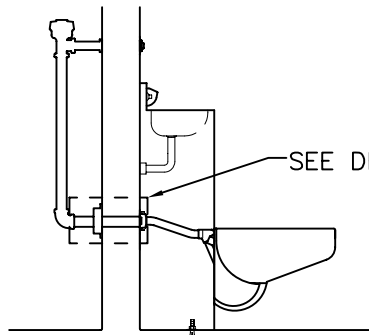
NOTE: IT MAY BE NECESSARY TO SUPPORT OFF-FLOOR FIXTURES ON CELL SIDE OF WALL TO SECURE PROPERLY FROM PIPE CHASE.
- D- PLACE WASHERS AND NUTS ONTO STUDS; TIGHTEN TO 60FT/LBS.

- E- FLUSH SUPPLY LINE. MAKE-UP WASTE CONNECTION AND MOUNT FLUSH VALVE PER MANUFACTURERS' RECOMMENDATIONS.

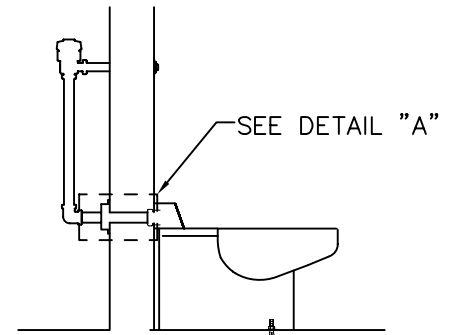
|  |  |  |  |
|--|--|--|--|
| ACORN ENGINEERING COMPANY<br>P.O. BOX 3527 Industry, CA 91744<br>15125 Proctor Ave Industry, CA 91746<br>(626) 336-4561 FAX (626) 961-2200 | <b>TITLE</b><br><b>BLOWOUT JET TOILET - OFF FLOOR CAT. #3330 SERIES REAR MOUNT</b> |  |  |
|  | <b>MANUFACTURE DATE</b><br><b>FEBRUARY 1975</b><br><b>TO PRESENT</b>               | <b>DATE ISSUED</b><br><b>03-01-91</b>  | <b>DRAWING NUMBER</b><br><b>9925-737-001</b> |
|  |  | <b>DATE REVISED</b><br><b>04/10/13</b> |  |



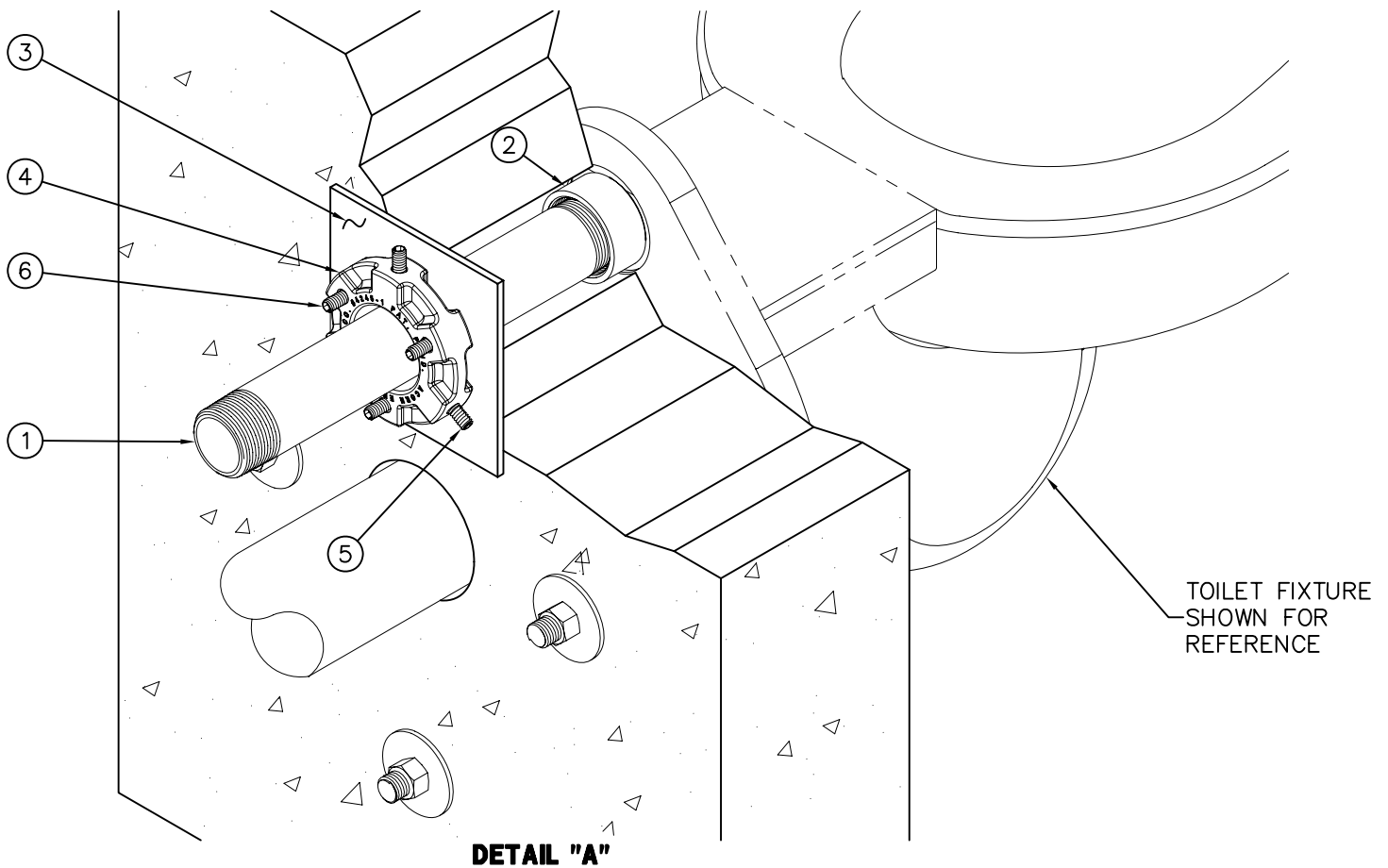
Lavy Waste Connection



Comby Flushing Inlet Connection



Toilet Flushing Inlet Connection



**INSTALLATION INSTRUCTIONS:**

- A- SECURE PIPE ① TO FIXTURE CONNECTION ② THROUGH WALL.
- B- PLACE THRUST PLATE ③ FLUSH AGAINST WALL.
- C- PLACE ANCHORING COLLAR ④ FLUSH AGAINST THRUST PLATE ③.
- D- HOLD UNIT AGAINST WALL, PARALLEL TO THE FLOOR.

- E- TIGHTEN SCREWS ⑤ (3 PLACES) TO SECURE ANCHORING COLLAR ④ TO PIPE ①.
- F- TIGHTEN SCREWS ⑥ (3 PLACES) TO PULL PIPE ① AND PUSH AGAINST THRUST PLATE ③ IN ORDER TO HOLD FIXTURE WITH TENSION AGAINST WALL.



ACORN ENGINEERING COMPANY  
P.O. BOX 3527 INDUSTRY, CA. 91744  
(626) 336-4561 FAX (626) 961-2200

|  |                                 |                                       |
|--|---------------------------------|---------------------------------------|
| TITLE<br><b>3395 ANCHORING ASSEMBLY</b>                  |                                 |                                       |
| MANUFACTURE DATE<br><b>MAY 1998</b><br><b>TO PRESENT</b> | DATE ISSUED<br><b>10/06/99</b>  | DRAWING NUMBER<br><b>9925-759-001</b> |
|  | DATE REVISED<br><b>04/08/11</b> |                                       |