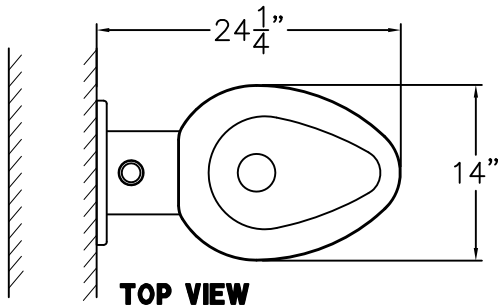




REFERENCE DRAWINGS	
2898 INSTALLATION	9908-399-001

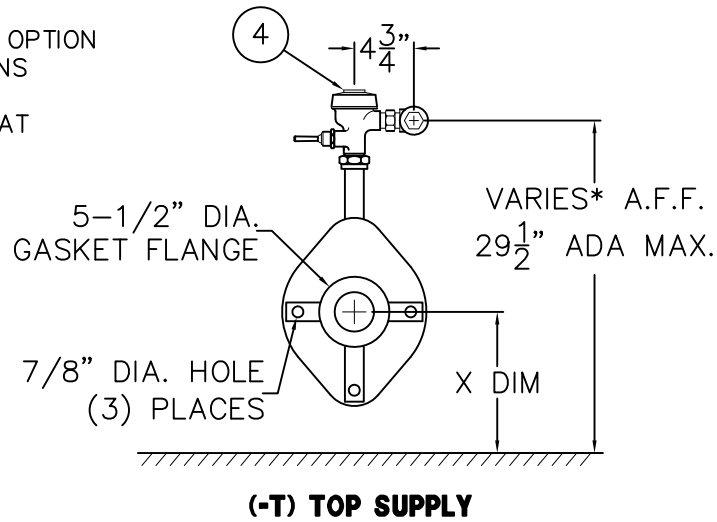
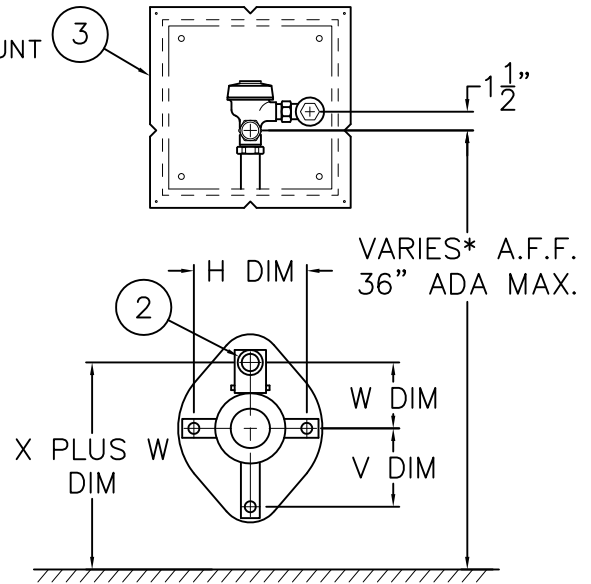
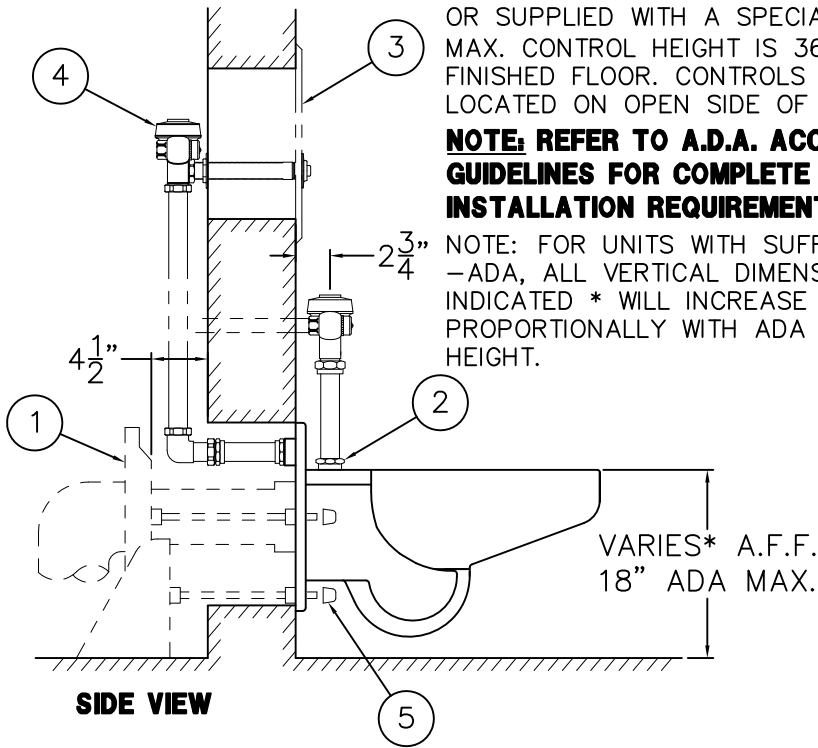
NOTE:
USE MOUNTING HARDWARE FROM ORIGINAL UNIT TO MOUNT THE REPLACEMENT UNIT.



FOR -ADA MODELS -FLUSH VALVE MUST BE HYDRAULICALLY ACTUATED OR SUPPLIED WITH A SPECIAL HANDLE. MAX. CONTROL HEIGHT IS 36" ABOVE FINISHED FLOOR. CONTROLS MUST BE LOCATED ON OPEN SIDE OF TOILET.

NOTE: REFER TO A.D.A. ACCESSIBILITY GUIDELINES FOR COMPLETE INSTALLATION REQUIREMENTS.

NOTE: FOR UNITS WITH SUFFIX OPTION -ADA, ALL VERTICAL DIMENSIONS INDICATED * WILL INCREASE PROPORTIONALLY WITH ADA SEAT HEIGHT.

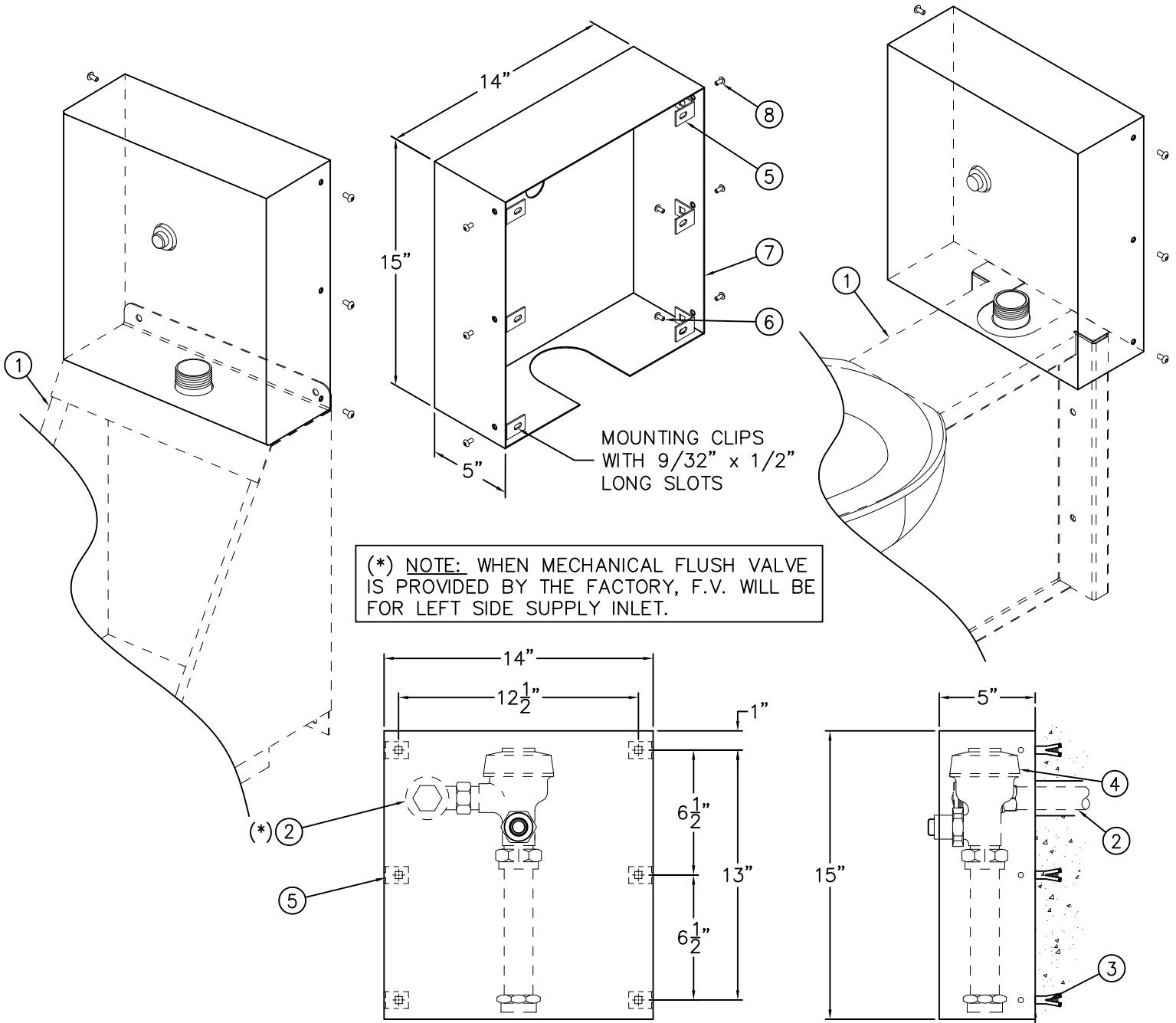


INSTALLATION INSTRUCTIONS

- A- ROUGH-IN FOR THE FOLLOWING:
5-1/2" DIA. GASKET WASTE (1).
1-1/2" NPT FLUSHING INLET CONNECTION (2).
- B- FOR DURA-WARE FLUSH VALVE ACCESS PANELS (3), FOR CONCEALED FLUSH VALVE INSTALLATION REFER TO DRAWING #9908-399-001.
- C- MOUNT FIXTURE TO THE WALL CARRIER. PLACE ON 5/8" STUDS (BY OTHERS) AND ATTACH WITH CAP NUTS (OPTIONAL) (5).
- D- CONNECT FLUSH VALVE (4) PER MANUFACTURERS' RECOMMENDATIONS.

NOTE:
FOR UNITS WITH -W WALL SUPPLY FLUSH VALVE, ACCESS FOR CONNECTING AND SERVICING FLUSH VALVE IS REQUIRED.

ACORN ENGINEERING COMPANY P.O. BOX 3527 Industry, CA 91744 15125 Proctor Ave Industry, CA 91746 (626) 336-4561 FAX (626) 961-2200	TITLE BLOWOUT JET TOILET - OFF FLOOR #3331 SERIES FRONT MOUNT		
	MANUFACTURE DATE MARCH 1994 TO PRESENT	DATE ISSUED 03/01/94	DRAWING NUMBER 9925-738-001
		DATE REVISED 04/10/13	



INSTALLATION INSTRUCTIONS:

- A- MOUNT FIXTURE ① TO WALL.
- B- ROUGH-IN FOR FLUSH VALVE SUPPLY ② REFER TO FIXTURE INSTALLATION INSTRUCTIONS.
- C- LOCATE AND INSTALL WALL ANCHORS (BY OTHERS) ③.
- D- INSTALL FLUSH VALVE ④ TO FIXTURE ①.
- E- ATTACH MOUNTING CLIPS ⑤ TO WALL USING MOUNTING SCREWS ⑥ (BY OTHERS).
- F- ATTACH FLUSH VALVE COVER ⑦ TO MOUNTING CLIPS ⑤ USING #10-32 SCREWS ⑧ PROVIDED.

Front View of -FVC

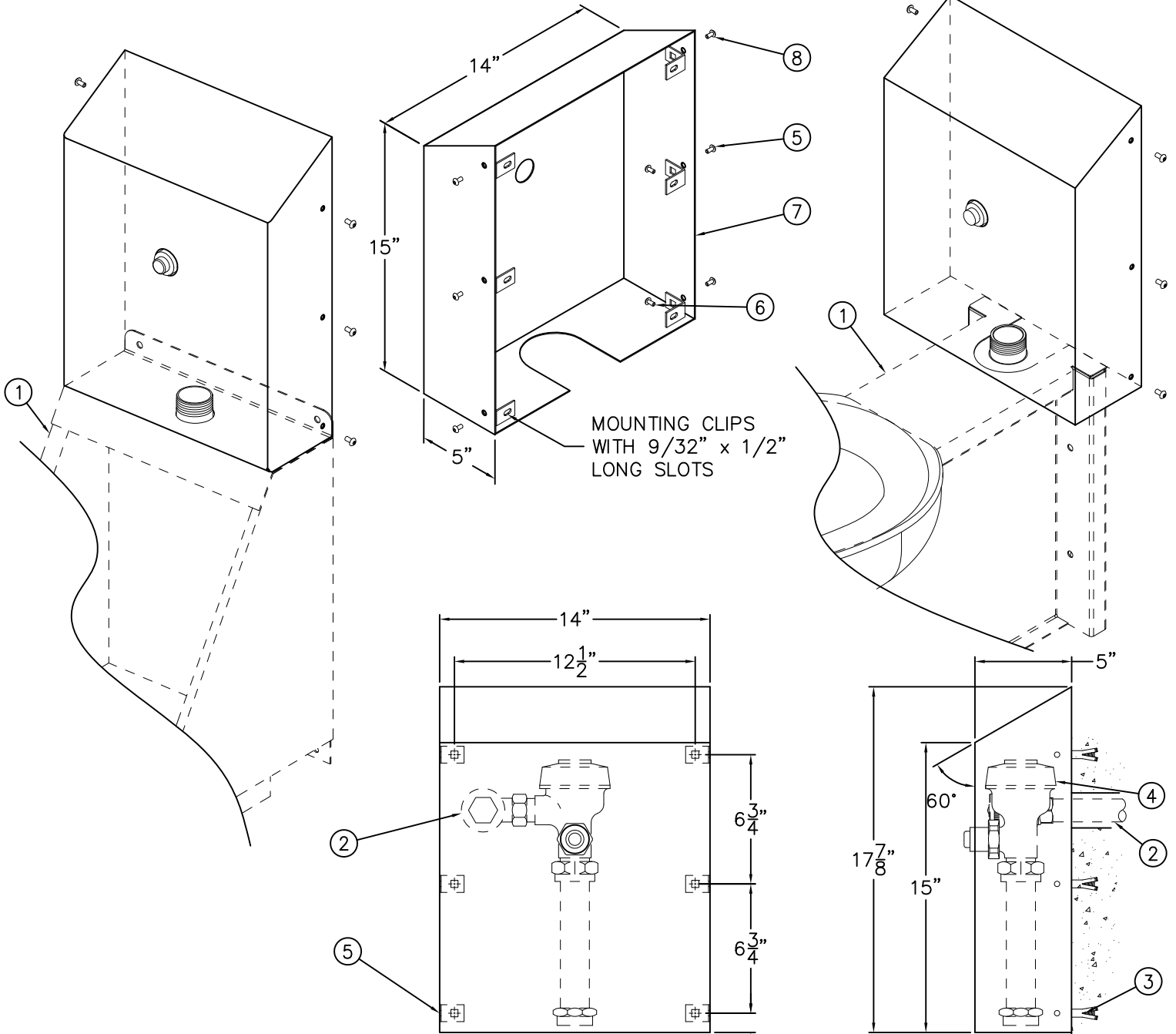
Side View of -FVC

Reference Drawings

Security Screws	9951-005-001
Tinnerman Nuts	9951-007-001

NOTE: FIXTURES SHOWN FOR REFERENCE ONLY.

<p>ACORN ENGINEERING COMPANY P.O. BOX 3527 Industry, CA 91744 15125 Proctor Ave Industry, CA 91746 (626) 336-4561 FAX (626) 961-2200</p>	<p>TITLE -FVC FLUSH VALVE COVER #2802</p>	
	<p>MANUFACTURE DATE</p> <p>FEBRUARY 1975</p> <p>TO PRESENT</p>	<p>DATE ISSUED</p> <p>04/17/98</p> <p>DATE REVISED</p> <p>12/21/16 D</p>



INSTALLATION INSTRUCTIONS:

- A- MOUNT FIXTURE ① TO WALL.
- B- ROUGH-IN FOR FLUSH VALVE SUPPLY ② REFER TO FIXTURE INSTALLATION INSTRUCTIONS.
- C- LOCATE AND INSTALL WALL ANCHORS (BY OTHERS) ③.
- D- INSTALL FLUSH VALVE ④ TO FIXTURE ①.
- E- ATTACH MOUNTING CLIPS ⑤ TO WALL USING MOUNTING SCREWS ⑥ (BY OTHERS).
- F- ATTACH FLUSH VALVE COVER ⑦ TO MOUNTING CLIPS ⑤ USING #10-32 SCREWS ⑧ PROVIDED.

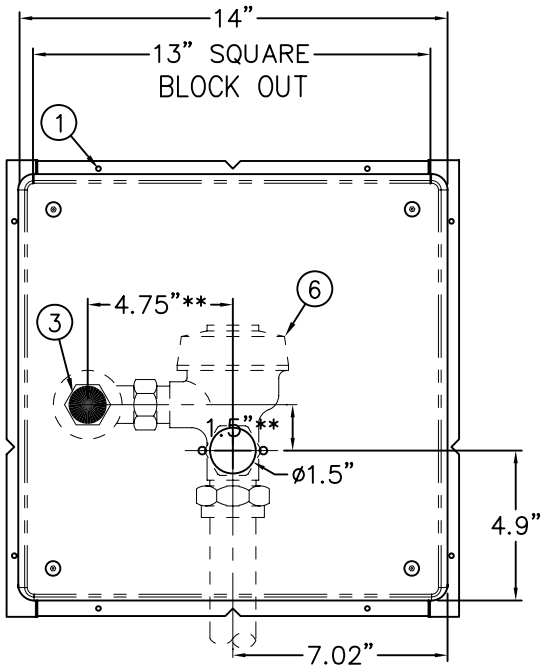
Front View of -FVC-SLPT

Side View of -FVC-SLPT

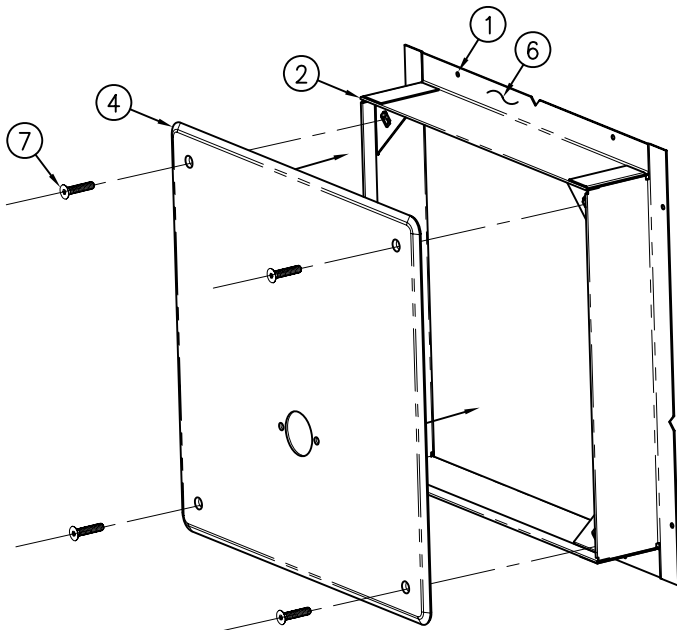
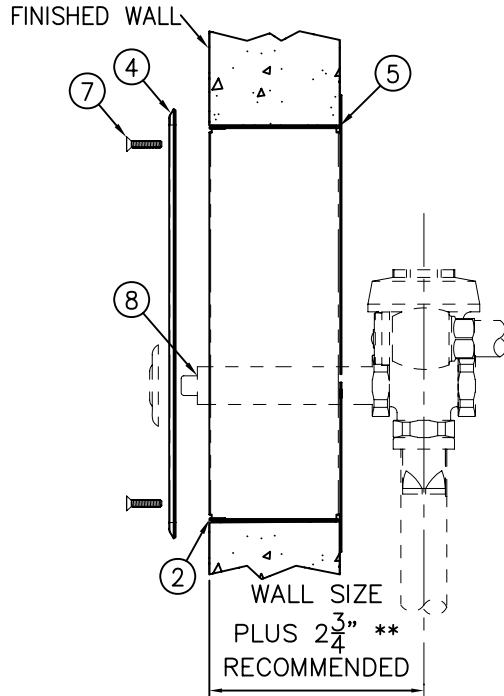
Reference Drawings	
Security Screws	9951-005-001
Tinnerman Nuts	9951-007-001

NOTE: FIXTURES SHOWN FOR REFERENCE ONLY.

<p>ACORN ENGINEERING COMPANY P.O. BOX 3527 Industry, CA 91744 15125 Proctor Ave Industry, CA 91746 (626) 336-4561 FAX (626) 961-2200</p>	<p>TITLE -FVC-SLPT FLUSH VALVE COVER WITH SLOPING TOP #2802</p>		
	<p>MANUFACTURE DATE FEBRUARY 1975 TO PRESENT</p>	<p>DATE ISSUED 03/07/11</p>	<p>DRAWING NUMBER 9908-397-001</p>
		<p>DATE REVISED 04/15/13 E</p>	



2898 LESS ESCUTCHEON



ROUGH-IN:

SLEEVES ARE INSTALLED IN FORMS (USING NAIL HOLES (1) PROVIDED) OR GROUTED INTO BLOCK WALLS, BECOMING A PERMANENT PART OF THE WALL. FRONT EDGE OF FRAME (2) SHOULD BE FLUSH WITH FINISHED WALL.

A-FLUSH VALVE INLET 1" NPT (3) TO DIMENSIONS SHOWN.

INSTALLATION INSTRUCTIONS:

- B-REMOVE STAINLESS STEEL PANEL (4).
- C-INSTALL SLEEVE FRAME WITH (5) FLANGE ON PIPE CHASE SIDE OF WALL.
- D-INSTALL FLUSH VALVE (6) PER MANUFACTURES INSTALLATION SHEETS.
- E- ATTACH (4) PANEL TO (2) FRAME WITH (4) 1/4"-20 x 1" (7) TAMPER-RESISTANT STAINLESS STEEL SCREWS PROVIDED. REFERENCE DRAWING NO. 9951-005-001
- F- COMPLETE INSTALLATION USING APPROPRIATE (8) PUSHBUTTON ASSEMBLY PER MANUFACTURERS INSTALLATION PROCEDURES.

**** NOTE:**

FLUSH VALVE BY OTHERS SHOWN FOR REFERENCE ONLY. COMPLETE WITH INSTALLER PROVIDED FLUSH VALVE AND APPROPRIATE PUSHBUTTON ASSEMBLY AS REQUIRED FOLLOWING RECOMMENDED MANUFACTURERS INSTALLATION PROCEDURES.

<p>ACORN ENGINEERING COMPANY P.O. BOX 3527 INDUSTRY, CA. 91744 (626) 336-4561 FAX (626) 961-2200</p>	<p>TITLE FLUSH VALVE ACCESS PANEL MODEL 2898</p>	
	<p>MANUFACTURE DATE JANUARY 1973 TO PRESENT</p>	<p>DATE ISSUED 06/01/90</p> <p>DATE REVISED 10/28/10</p>