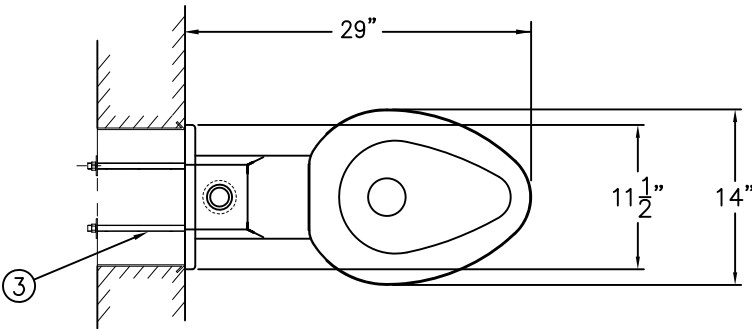




NOTE:

USE MOUNTING HARDWARE FROM ORIGINAL UNIT TO MOUNT THE REPLACEWARE UNIT.

REFERENCE DRAWINGS	
2898 INSTALLATION	9908-399-001
3395 ANCHORING ASSEMBLY	9925-759-001

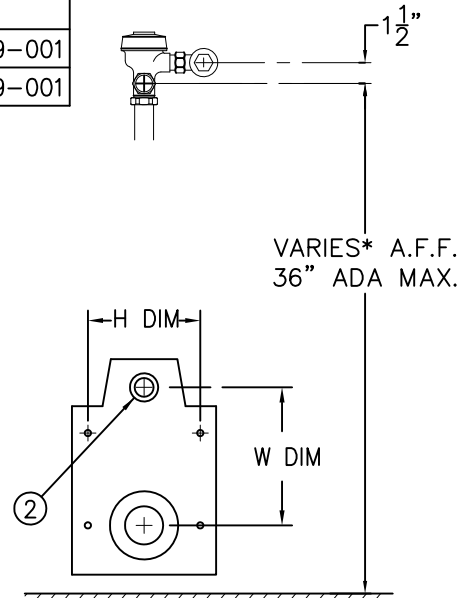


TOP VIEW

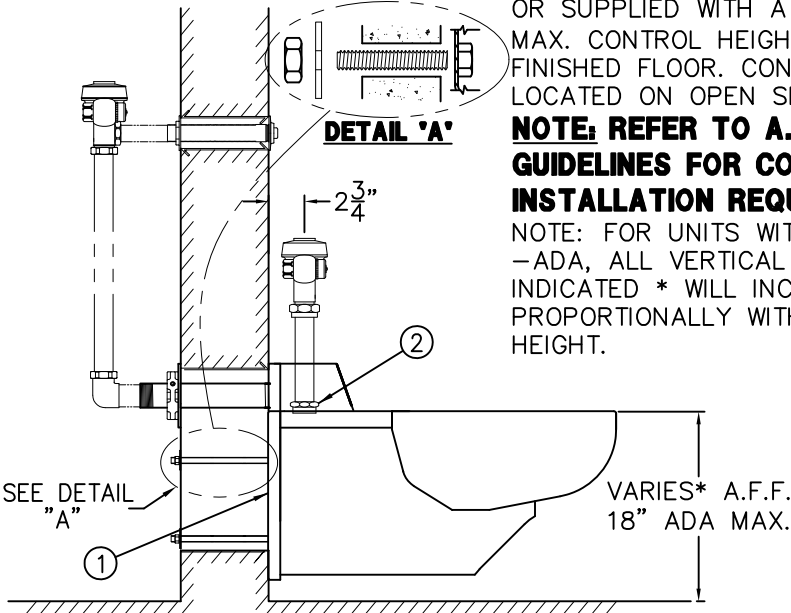
FOR -ADA MODELS -FLUSH VALVE MUST BE HYDRAULICALLY ACTUATED OR SUPPLIED WITH A SPECIAL HANDLE. MAX. CONTROL HEIGHT IS 36" ABOVE FINISHED FLOOR. CONTROLS MUST BE LOCATED ON OPEN SIDE OF TOILET.

NOTE: REFER TO A.D.A. ACCESSIBILITY GUIDELINES FOR COMPLETE INSTALLATION REQUIREMENTS.

NOTE: FOR UNITS WITH SUFFIX OPTION -ADA, ALL VERTICAL DIMENSIONS INDICATED * WILL INCREASE PROPORTIONALLY WITH ADA SEAT HEIGHT.



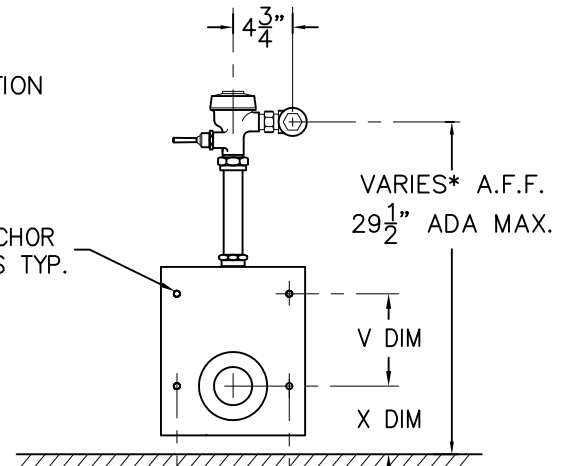
(-W) WALL SUPPLY



SIDE VIEW

SEE DETAIL "A"

VARIES* A.F.F. 18" ADA MAX.



(-T) TOP SUPPLY

INSTALLATION INSTRUCTIONS:

A- ROUGH-IN PLUMBING FOR THE FOLLOWING CONNECTIONS:
 • TOILET WALL WASTE OUTLET-5 1/2" GASKET WASTE (1).
 • FLUSHING INLET CONNECTION 1-1/2" NPT (2).

B- INSTALL PRE-EXISTING 1/2"-13 ALL THREAD STUDS (3) INTO ANCHOR TAPPINGS AT REAR OF FIXTURE. STUDS MUST HAVE A MINIMUM 1/2" ENGAGEMENT.

C- PLACE TOILET UP AGAINST CELL WALL, SLIDING THE STUDS THROUGH WALL OPENINGS.

NOTE: IT MAY BE NECESSARY TO SUPPORT OFF-FLOOR FIXTURES ON CELL SIDE OF WALL TO SECURE PROPERLY FROM PIPE CHASE.

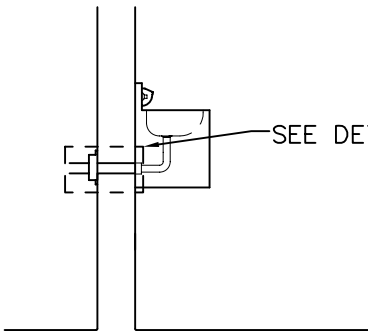
D- PLACE WASHERS AND NUTS ONTO STUDS; TIGHTEN TO 60FT/LBS.

E- FLUSH SUPPLY LINE. MAKE-UP WASTE CONNECTION AND MOUNT FLUSH VALVE PER MANUFACTURERS' RECOMMENDATIONS.

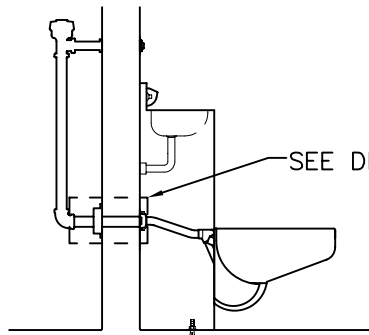


ACORN ENGINEERING COMPANY
 P.O. BOX 3527 Industry, CA 91744
 15125 Proctor Ave Industry, CA 91746
 (626) 336-4561 FAX (626) 961-2200

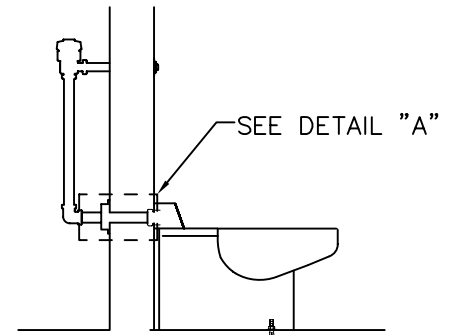
TITLE		
SIPHON JET TOILET - OFF FLOOR CAT. #3332 SERIES REAR MOUNT		
MANUFACTURE DATE	DATE ISSUED	DRAWING NUMBER
MARCH 1999	03/11/99	9925-740-001
TO PRESENT	DATE REVISED	
	04/11/13	



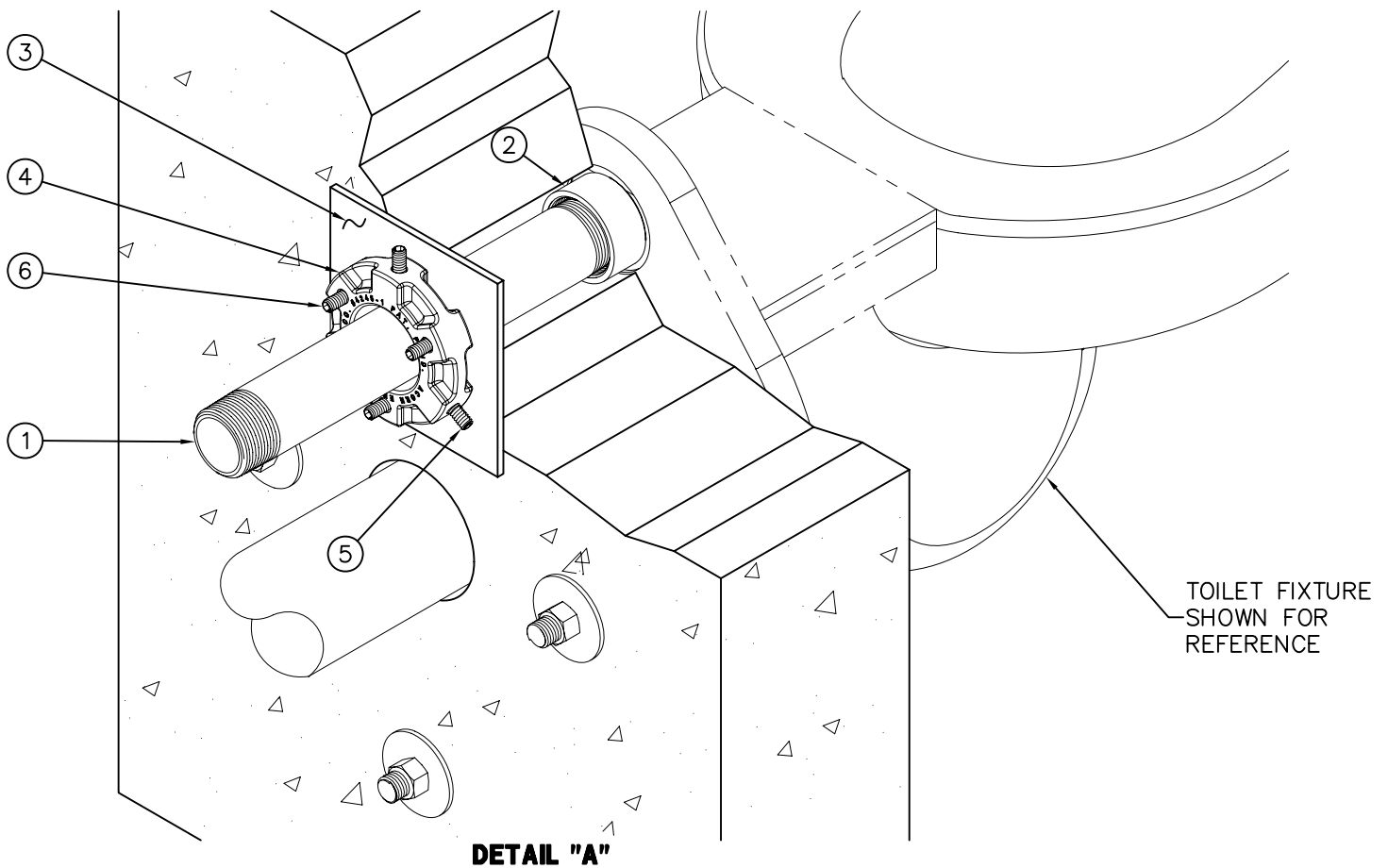
Lavy Waste Connection



Comby Flushing Inlet Connection



Toilet Flushing Inlet Connection



INSTALLATION INSTRUCTIONS:

- A- SECURE PIPE ① TO FIXTURE CONNECTION ② THROUGH WALL.
- B- PLACE THRUST PLATE ③ FLUSH AGAINST WALL.
- C- PLACE ANCHORING COLLAR ④ FLUSH AGAINST THRUST PLATE ③.
- D- HOLD UNIT AGAINST WALL, PARALLEL TO THE FLOOR.

- E- TIGHTEN SCREWS ⑤ (3 PLACES) TO SECURE ANCHORING COLLAR ④ TO PIPE ①.
- F- TIGHTEN SCREWS ⑥ (3 PLACES) TO PULL PIPE ① AND PUSH AGAINST THRUST PLATE ③ IN ORDER TO HOLD FIXTURE WITH TENSION AGAINST WALL.



ACORN ENGINEERING COMPANY
P.O. BOX 3527 INDUSTRY, CA. 91744
(626) 336-4561 FAX (626) 961-2200

TITLE 3395 ANCHORING ASSEMBLY		
MANUFACTURE DATE MAY 1998 TO PRESENT	DATE ISSUED 10/06/99	DRAWING NUMBER 9925-759-001
	DATE REVISED 04/08/11	