

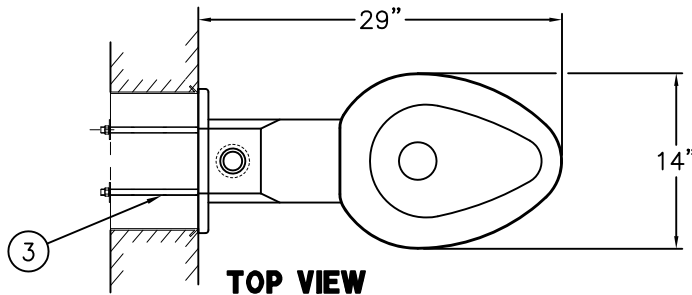


NOTE:

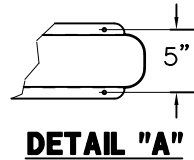
USE MOUNTING HARDWARE FROM ORIGINAL UNIT TO MOUNT THE REPLACEWARE UNIT.

REFERENCE DRAWINGS

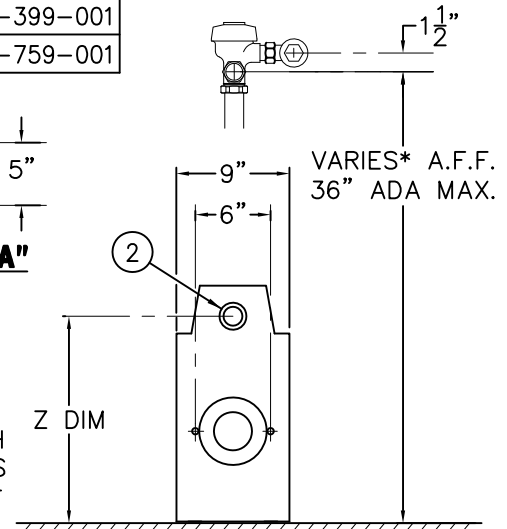
2898 INSTALLATION	9908-399-001
3395 ANCHORING ASSEMBLY	9925-759-001



TOP VIEW



DETAIL "A"

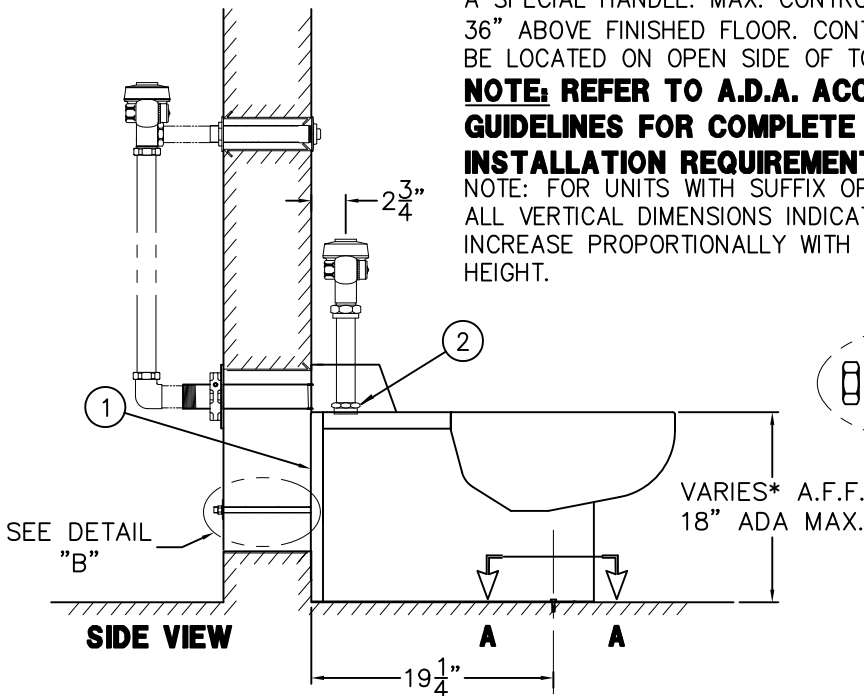


(-W) WALL SUPPLY

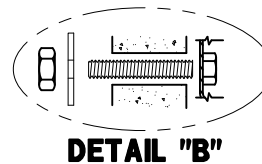
FOR -ADA MODELS -FLUSH VALVE MUST BE HYDRAULICALLY ACTUATED OR SUPPLIED WITH A SPECIAL HANDLE. MAX. CONTROL HEIGHT IS 36" ABOVE FINISHED FLOOR. CONTROLS MUST BE LOCATED ON OPEN SIDE OF TOILET.

NOTE: REFER TO A.D.A. ACCESSIBILITY GUIDELINES FOR COMPLETE INSTALLATION REQUIREMENTS.

NOTE: FOR UNITS WITH SUFFIX OPTION -ADA, ALL VERTICAL DIMENSIONS INDICATED * WILL INCREASE PROPORTIONALLY WITH ADA SEAT HEIGHT.

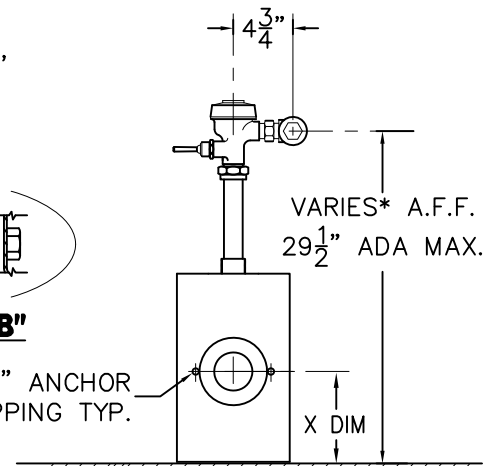


SIDE VIEW



DETAIL "B"

5/16" ANCHOR TAPPING TYP.



(-T) TOP SUPPLY

INSTALLATION INSTRUCTIONS:

A- ROUGH-IN EXISTING PLUMBING FOR THE FOLLOWING CONNECTIONS:

- TOILET WALL WASTE OUTLET 5-1/2" GASKET WASTE (1).
- FLUSHING INLET CONNECTION 1-1/2" NPT (2)

B- INSTALL PRE-EXISTING 5/16"-18 ALL THREAD STUDS (3) INTO ANCHOR TAPPINGS AT REAR OF FIXTURE. STUDS MUST HAVE A MINIMUM 1/2" ENGAGEMENT.

C- PLACE TOILET UP AGAINST CELL WALL, SLIDING THE STUDS THROUGH WALL OPENINGS.
NOTE: IT MAY BE NECESSARY TO SUPPORT OFF-FLOOR FIXTURES ON CELL SIDE OF WALL TO SECURE PROPERLY FROM PIPE CHASE.

D- PLACE WASHERS AND NUTS ONTO STUDS; TIGHTEN TO 60FT/LBS.

E- FLUSH SUPPLY LINE. MAKE-UP WASTE CONNECTION AND MOUNT FLUSH VALVE PER MANUFACTURERS' RECOMMENDATIONS.



ACORN ENGINEERING COMPANY
P.O. BOX 3527 Industry, CA 91744
15125 Proctor Ave Industry, CA 91746
(626) 336-4561 FAX (626) 961-2200

TITLE **BLOWOUT JET TOILET - ON THE FLOOR CAT. #3334 SERIES REAR MOUNT**

MANUFACTURE DATE

**MARCH 1999
TO PRESENT**

DATE ISSUED

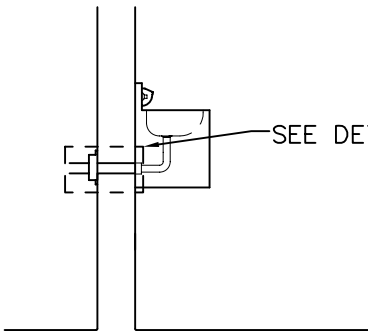
03-11-99

DATE REVISED

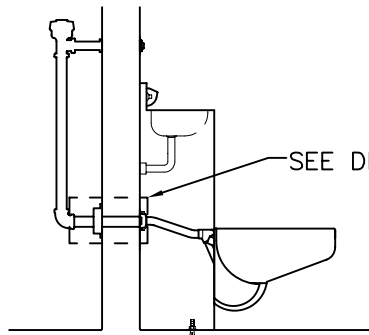
04/15/13

DRAWING NUMBER

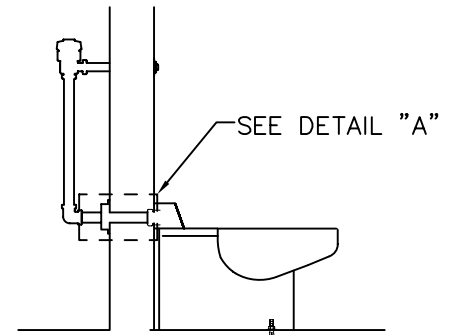
9925-730-001



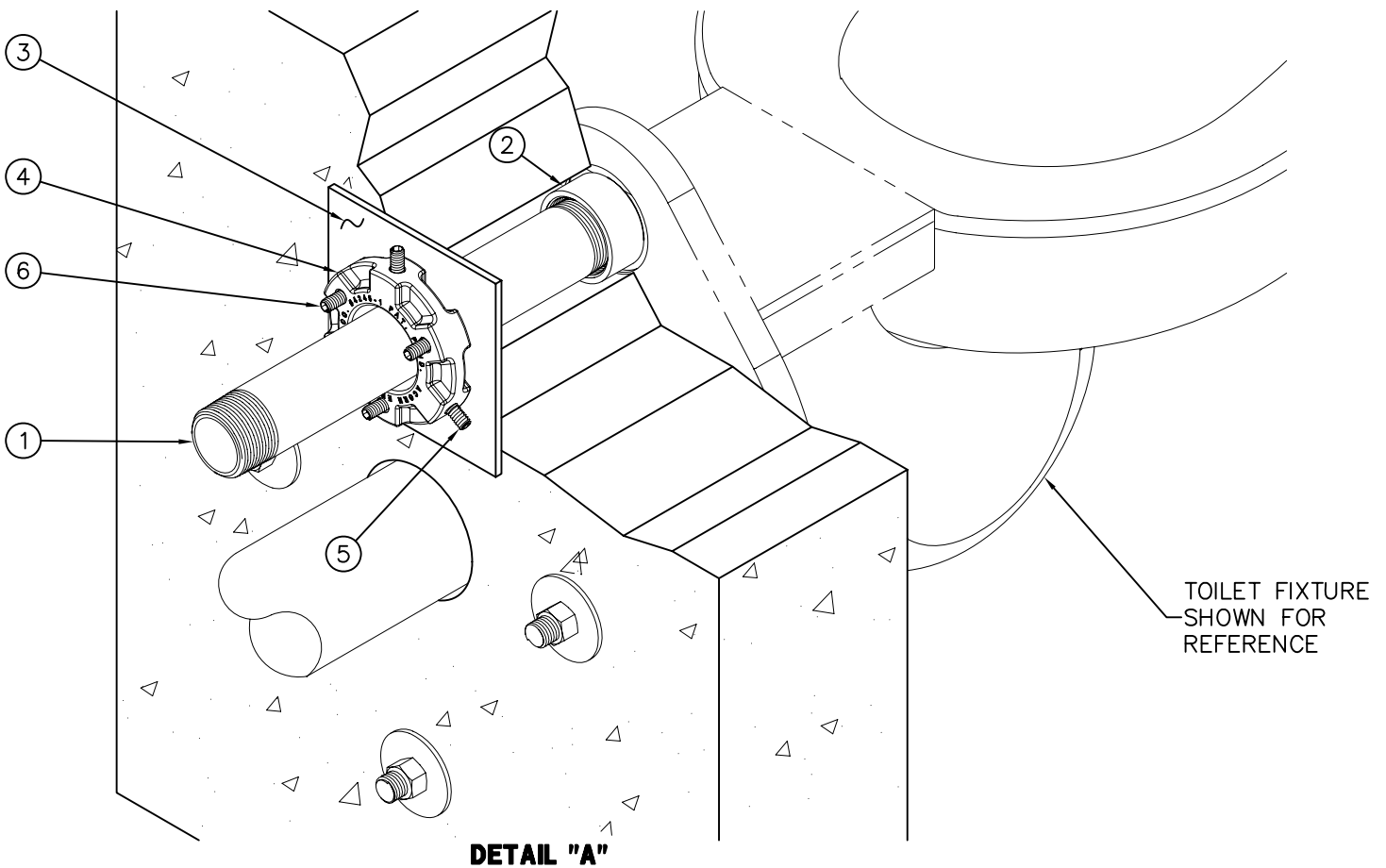
Lavy Waste Connection



Comby Flushing Inlet Connection



Toilet Flushing Inlet Connection



INSTALLATION INSTRUCTIONS:

- A- SECURE PIPE (1) TO FIXTURE CONNECTION (2) THROUGH WALL.
- B- PLACE THRUST PLATE (3) FLUSH AGAINST WALL.
- C- PLACE ANCHORING COLLAR (4) FLUSH AGAINST THRUST PLATE (3).
- D- HOLD UNIT AGAINST WALL, PARALLEL TO THE FLOOR.

- E- TIGHTEN SCREWS (5) (3 PLACES) TO SECURE ANCHORING COLLAR (4) TO PIPE (1).
- F- TIGHTEN SCREWS (6) (3 PLACES) TO PULL PIPE (1) AND PUSH AGAINST THRUST PLATE (3) IN ORDER TO HOLD FIXTURE WITH TENSION AGAINST WALL.



ACORN ENGINEERING COMPANY
P.O. BOX 3527 INDUSTRY, CA. 91744
(626) 336-4561 FAX (626) 961-2200

TITLE 3395 ANCHORING ASSEMBLY		
MANUFACTURE DATE MAY 1998 TO PRESENT	DATE ISSUED 10/06/99	DRAWING NUMBER 9925-759-001
	DATE REVISED 04/08/11	