



Replace-Ware® 3349 Series

Straddle Blowout Jet Urinal - Replacement - ADA Compliant



3349-W-1

Fixture May Show Some Available Options

Please visit www.acorneng.com for most current specifications.

Straddle Blowout Jet Urinal - Replacement - ADA Compliant

Acorn 3349 Straddle Blowout Jet Urinal is designed to replace Aluminum Plumbing Fixture Corp. (Super Secur) Model A-600.

Fixture is arranged to be installed on a finished wall and serviced from the front side. Fixture and rough-in adapter box are fabricated from 14 gage, type 304 stainless steel and are seamless welded construction. Exterior has a satin finish. Interior has a matte finish. Fixture has a back wall washdown and is optionally available with a continuous flushing rim, which allows for washing all four walls. Corners are coved to facilitate cleaning. P-trap is fully enclosed. Back of fixture is sound-deadened with fire resistant material. Units conform with ANSI, UFAS and ADA requirements for accessibility. Compliance is subject to the interpretation and requirements of the local code authority.

Urinal is blowout jet type with back wall washdown. Flushing inlet connection is 1-1/2" NPT male and requires a minimum of 25 PSI flow pressure. Trap has a minimum 2-1/2" seal and will pass a 1.9" ball. Waste connection is Gasketed Waste.

Exposed mounting screws are furnished. No concealed wall fasteners are furnished.

GUIDE SPECIFICATION Provide and install Acorn Replace-Ware Straddle Blowout Jet Urinal (specify model number and options). Urinal shall be back wall washdown type. Fixture shall be 14 gage, type 304 stainless steel. Urinal shall have coved corners to facilitate cleaning. All welds shall be continuous and exterior surfaces shall have a satin finish. P-trap shall be fully enclosed and pass a 1.9" diameter ball. Waste connection shall be Gasketed Waste. Fixture shall be furnished with exposed mounting screws. Units to conform with ANSI, UFAS and ADA requirements for accessibility.

Replace-Ware® 3349: Blowout Jet Urinal - Replacement - ADA Compliant



WALL THICKNESS AND TYPE (Must Specify)

Thickness _____ Type: Concrete Block Steel

MODEL NUMBER AND OPTIONS SELECTION

BASE MODEL NUMBER

-3349 Straddle Blowout Jet Urinal - Replacement

SUPPLY

-W Wall (Concealed)

FIXTURE MOUNTING AND WASTE

-1 Off-Floor, Wall Outlet

FLUSH VALVE GPF

-3.5 GPF (Not Available in California)

FLUSH VALVE OPTIONS (Must Specify)

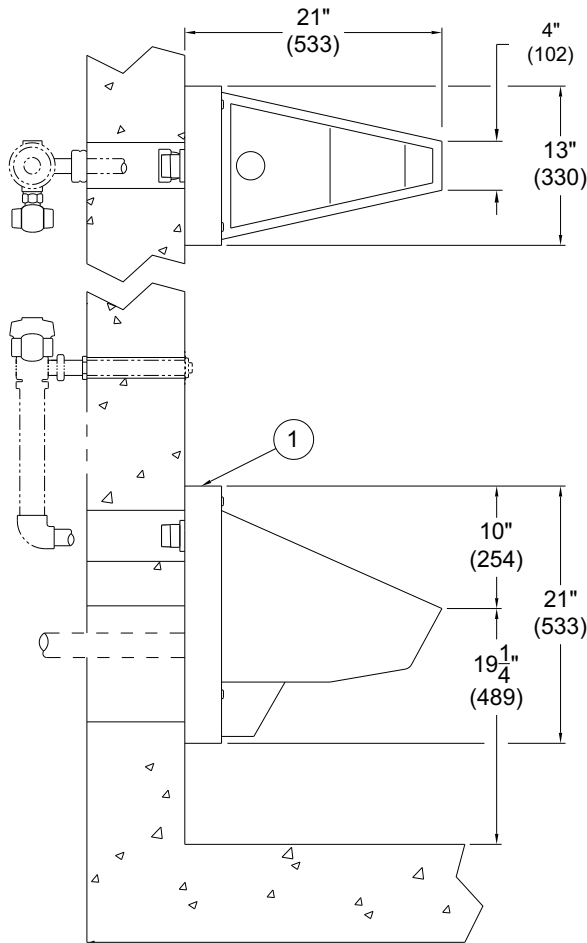
REFER TO ACORN DURA-WARE ACCESSORIES FOR FLUSH VALVE COVER #2802, BOX #2803-1 AND PANEL #2898

- EVSFV Master-Trol® Electronic Flush Valve (N/A for Top Supply)
- EVSPFV Master-Trol® Electronic Flush Valve w/ Piezo Button (N/A for Top Supply)
- FV Flush Valve, Mechanical (N/A for ADA)
- FVBO Flush Valve by Others
- FVH Flush Valve, Hydraulic (N/A for Top Supply)
- FVL Flush Valve, Lever Handle (Wall Supply)
- MTPFV Master-Trol® PLUS Electronic Flush Valve (N/A for Top Supply)
- MTPPFV Master-Trol® PLUS Electronic Flush Valve w/ Piezo Button (N/A for Top Supply)
- MVCFV Time-Trol® Electronic Flush Valve (N/A for Top Supply)

PRODUCT OPTIONS

- CFR Continuous Flushing Rim
- EG Enviro-Glaze, Specify Color: _____
- FVT Flush Valve Thru Wall Connector
- TF Transformer, 120VAC to 24VAC (-MVCFV Option)

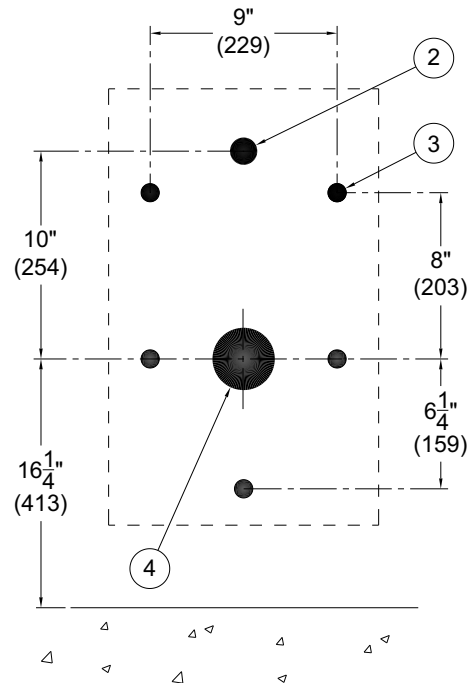
Please visit www.acorneng.com for most current specifications.



3349-W-1

NOTES:

1. Rough-In Adaptor
2. Flushing Inlet
3. Five Anchoing Holes
4. Urinal Waste Outlet



Rough-in View

WARNING: Cancer and Reproductive Harm - www.P65Warnings.ca.gov

<p>Important: Installation instructions and current rough-in are furnished with each fixture. Do not rough in without certified dimensions. Dimensions are subject to manufacturer's tolerance of plus or minus 1/4" and change without notice. Acorn assumes no responsibility for use of void or superseded data. © Copyright 2007 Acorn Engineering Company</p>	
<p style="text-align: center;">Selection Summary</p> <p>Model No. & Option _____</p> <p>Quantity _____</p>	<p style="text-align: center;">Approved for Manufacturing</p> <p>Company _____ Title _____</p> <p>Signature _____ Date _____</p>