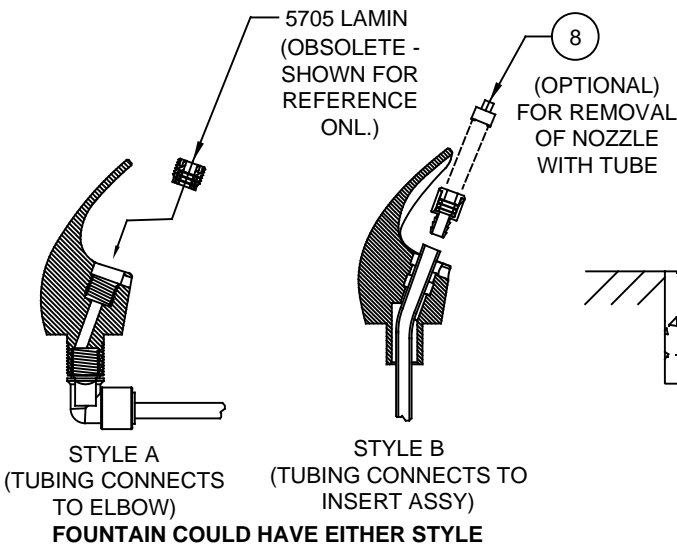
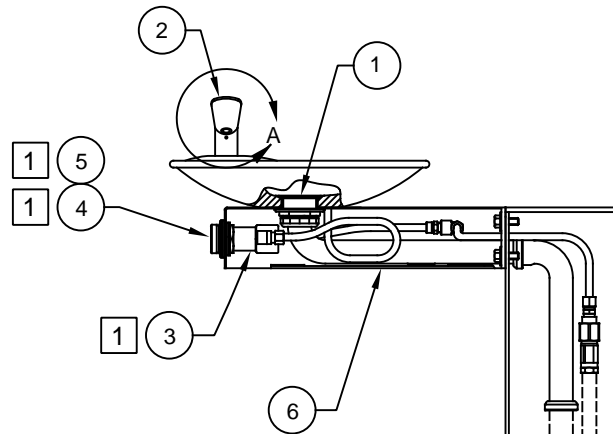
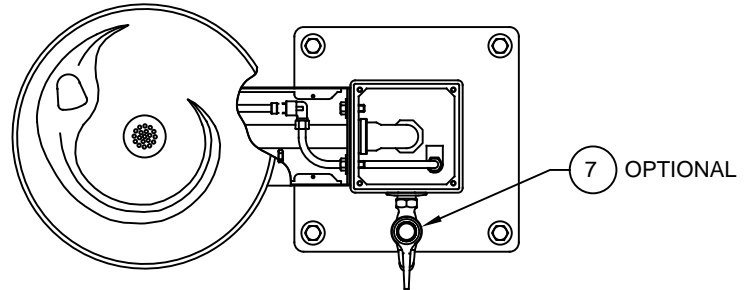


NOTES:

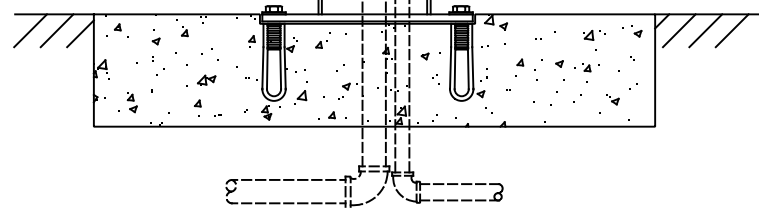
1 5874PB (ITEM 3) INCLUDES VRK5874 CARTRIDGE ASSEMBLY (ITEM 4) AND PBA6 FLANGED PUSH BUTTON (ITEM 5).

ITEM	DESCRIPTION	PART NO.
1	STRAINER ASSY 6463	6463
2	HEAD W/LAMINAR INSERT (STYLE A OR STYLE B)	5705
3	BUTTON, PUSH, FLANGED W/ VALVE	5874PBF
4	VALVE REPAIR KIT	VRK5874
5	BUTTON, ASSY, PUSH, FLANGED, 5874	PBA6
6	BOTTOM PLATE	PBM1000
7	BIB FAUCET (OPTIONAL)	6250LF
* 8	DRIVER, NOZZLE .25 HEX	0002082253

\* DENOTES OPTIONAL PART



DETAIL A  
ROTATED 90° INTO VIEW



# PARTS BREAKDOWN

WHEN ORDERING PARTS PLEASE SPECIFY MODEL NUMBER.

		1455 KLEPPE LANE SPARKS, NEVADA 89431 (775) 359-4712 FAX (775) 359-7424 E-MAIL: HAWS@HAWSO.COM WEBSITE: WWW.HAWSO.COM	
ECN NO.	REVISED PER	BY	MODEL(S)
RTM	DATE	CHKD	3377/3377G
APPROVED	DATE	DP	PART NUMBER
IR	12/09/19		0002077364
SCALE: 1:5 DRAWING TYPE: PARTS BREAKDOWN			REVISION
			15
			SHEET 1 OF 1