



model **3482**
Pedestal Fountain

FEATURES & BENEFITS

CONSTRUCTION

Stainless steel basin with a high-polished finish compliments almost any setting, and it also resists stains and corrosion.

QUALITY CONTROL

Pre-built fountain is pressure tested to ensure no leaks and proper functionality.

OPTIONS

For more information, visit www.hawesco.com or call (888) 640-4297.



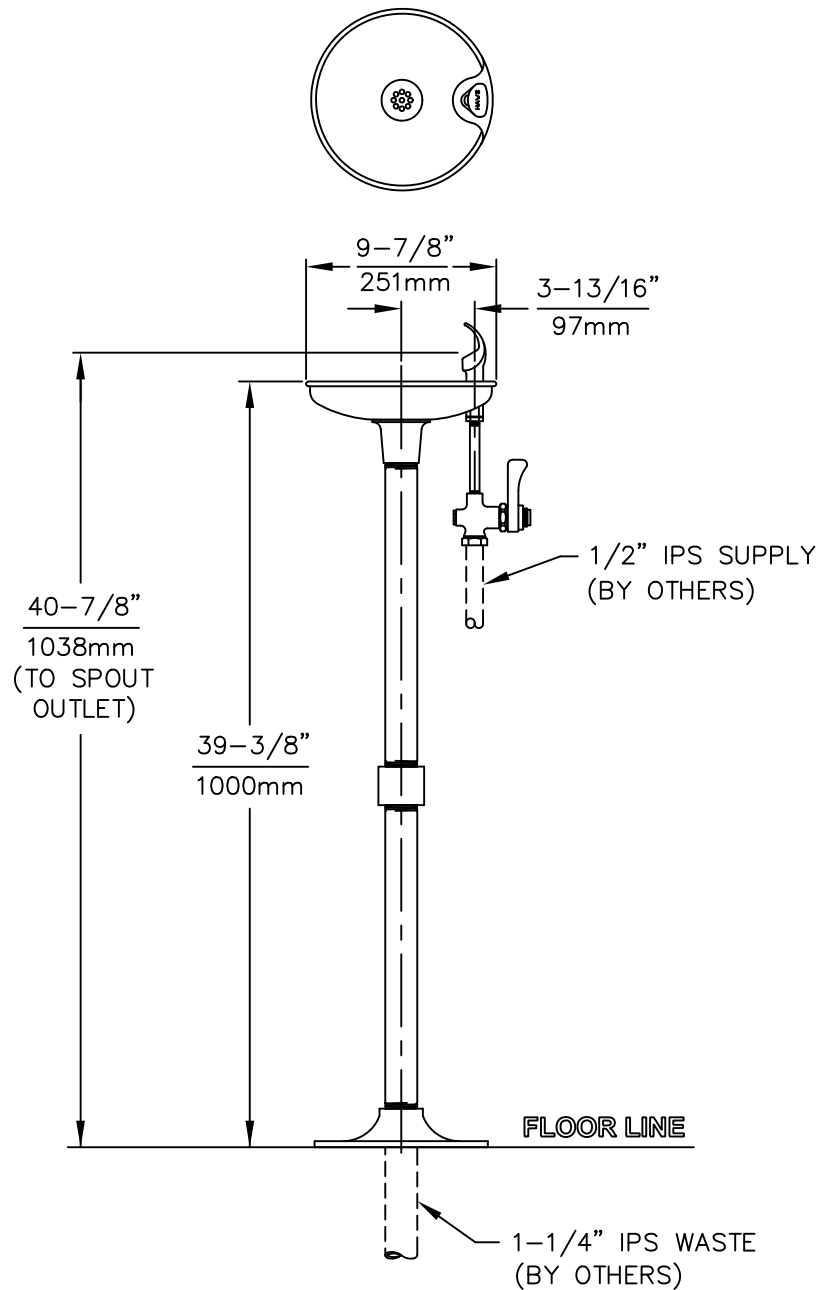
SPECIFICATIONS

Model 3482 pedestal drinking fountain shall include a polished stainless steel basin, polished chrome-plated brass bubbler head, polished chrome-plated brass lever valve with adjustable stream regulation, galvanized steel stanchion, 9" (22.9 cm) powder-coated steel floor flange, and 1/2" NPT inlet.

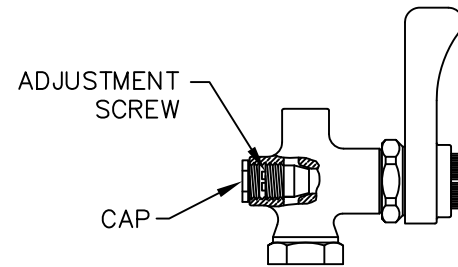
APPLICATIONS

Perfect for either public or private settings, the 3482 pipe pedestal drinking fountain is great for those looking to obtain a full functioning fountain with a simplistic design. Unit fits nicely into campground settings and other environments that are in more remote areas where drinking fountain facilities are still needed. Corrosion resistant stainless steel bowl and lever handle valve with adjustable stream makes for just the right combination of protection and adjustability needed in a basic outdoor fountain. Haws manufactures drinking fountains and electric water coolers to be lead-free by all known definitions including NSF/ANSI Standard 61, Section 9, NSF/ANSI 372, California Proposition 65, and the Federal Safe Drinking Water Act. Product is compliant to California Health and Safety Code 116875 (AB 1953-2006).

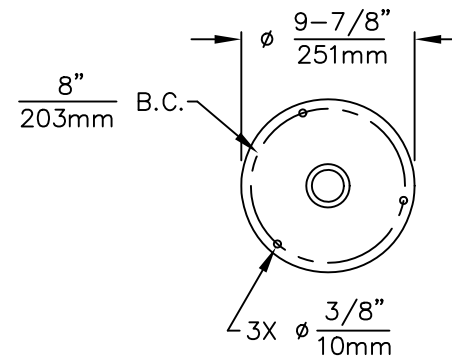




TO ADJUST FLOW, TURN ADJUSTMENT SCREW
COUNTER CLOCKWISE TO INCREASE FLOW, AND
CLOCKWISE TO DECREASE FLOW.



VALVE DETAIL
SCALE: 3X



MOUNTING DETAIL

ROUGH-IN DIMENSIONS MAY VARY $\pm 1/4"$ (6.4mm).



INFO FAX : 1-888-FAX-HAWS (1-888-329-4297)
1455 Kleppe Ln, Sparks NV, 89431
Phone: 775-359-4712 Fax: 775-359-7424
Haws Ag Bachweg 3 CH-3401 Burgdorf Switzerland
Haws Mfg Pte Ltd 74 Sungei Kadut Loop Singapore 729531
e-mail: Haws@hawsco.com website: www.hawsco.com

ECR NO.	REVISED PER	BY:	MODEL(S):	PART NUMBER:
	ECN: 387B	HM	3482	00207446.D
DRAWN:	DATE:	CHK'D:		DRAWING NUMBER:
C.J.L.	06/92			10210C00
APPROVED:	DATE:		INFO FAX DOC #: 23482	REV:
			SCALE: 1:10	11
			DRAWING TYPE: INSTALLATION/FAXBACK	SIZE: A SHT: 1 OF 1