

TOILET FIXTURE - 4105

Item: _____



Unit may be pictured with some optional features.

1.6 gpf (6.0 Lpf) Fixtures - 3" waste connection

4105 Back supply connection 1 1/2" (38mm) FIPT.

1.28 gpf (4.8 Lpf) Fixtures - 2-3/8" waste connection

HET4105 Back supply connection 1 1/2" (38mm) FIPT.

STANDARD FEATURES

- **Chase mounted fixture, wall outlet waste.**
- **Toilet Bowl-**
 - Elongated.
 - High polished integral seat.
 - Self draining flushing rim.
 - Blowout flushing action.
 - Fully enclosed trap.
- **Hardware-**
 - Plated steel concealed anchor rods and fasteners.



WARNING: Cancer and Reproductive Harm
- www.P65Warnings.ca.gov.

► DESCRIPTION

This Toilet Fixture is designed for high abuse areas with an accessible pipe chase. The fixture is fabricated using heavy gauge type 304 stainless steel, seamlessly welded to form a vandal resistant unit. Internal piping is stainless steel. Exposed surfaces are polished to a satin finish, except for the integral seat which is polished to a bright finish.

► PERFORMANCE STANDARDS

Metcraft's standard toilet is a 1.6 gpf (6.0 lpf) fixture with a 3" (76mm) waste outlet. Metcraft offers a "High Efficiency Toilet" (HET) 1.28 gpf (4.8 lpf) with a 2 3/8" (60mm) waste outlet as an option. Metcraft bowls and assemblies are designed to withstand 5000 lb. (22kN) loading without permanent deflection and damage. This fixture meets or exceeds ASME A112.19.3 / CSA B45.4 standards for "Stainless Steel Plumbing Fixtures". The trap will pass a 2 1/8" (54mm) dia. ball. A minimum 1" (25mm) supply providing 35psi (241kPa) flushing pressure is required.

Listed by



► INSTALLATION

An accessible pipe chase is required. Six anchor rods screw into sockets on back of the fixture. Anchor rods pass through the wall and are secured with washers and hex nuts on the chase side of the wall. No exposed fasteners are used. The installer must provide wall openings for anchor rods and piping per rough-in drawings provided by Metcraft.

NOTE: A security frame (wall sleeve) is recommended when installed on a new block (CMU) or poured concrete wall. A security frame is not appropriate for hollow wall construction.

Water Consumption:

With a low consumption flush valve - 1.6 gpf (6 liters)

With a HET consumption flush valve - 1.28 gpf (4.8 liters)

RECOMMENDED FLUSH VALVES

| | SLOAN | ZURN | DELANY |
|-----------------|----------|------------|-----------|
| Low consumption | 611-1.6 | Z6611-1.6 | F540-1.6 |
| HET | 611-1.28 | Z6611-1.28 | F540-1.28 |

WALL THICKNESS AND TYPE (Must Specify)

Thickness: _____ Type: Concrete Block Steel

TOILET WASTE

- PE Plain end waste - 7.5" off fixture (Standard).
- PL Plain end waste - 3" into chase

PRODUCT OPTIONS

- AFH Hydraulic Anti-Flood Valve.
- MS High Polished Seat (Standard).
- PCC Powder Coat - Anti-microbial White.
- ADA ADA Mounting height - 18" Integral Seat Height.
* Dimensions raised 3" for ADA

OPTIONAL ACCESSORIES

- A168 Metal Template for Wall Openings.
- TSC Toilet Shipping Cover.
- A120 Security Frame

No-Hub Connectors for 1.6gpf Units

- A210-3 3" s/s to 3" CI No-hub Connector.
- A210-1 3" s/s to 4" CI No-hub Connector.

No-Hub Connectors for 1.28gpf Units

- A210-9 2-3/8" s/s to 3" CI No-hub Connector.
- A210-8 2-3/8" s/s to 4" CI No-hub Connector.

- A215-3 3" No-hub Test Tee.
- A215-4 4" No-hub Test Tee.
- A216-3 Pinned Cleanout Plug 3"
- A216-4 Pinned Cleanout Plug 4"
- A247 Flush valve thru wall connector.
- PH Integral Recessed Toilet Paper Holder.

Wall Mounted Toilet Paper Holders

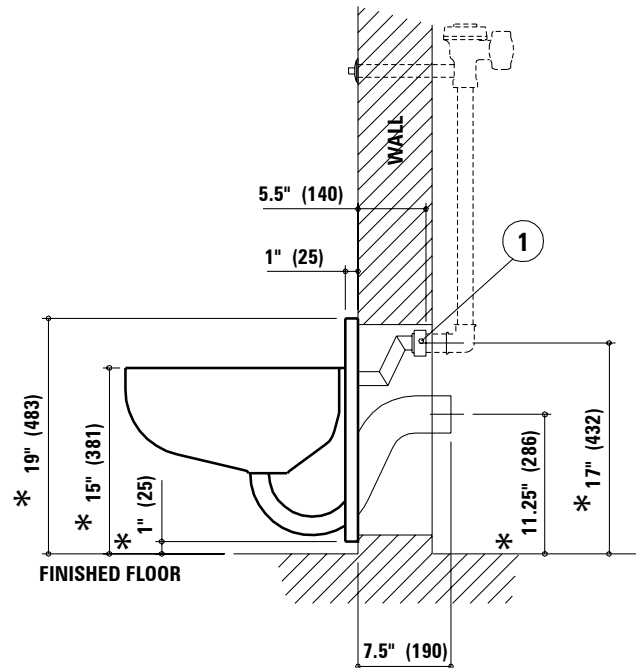
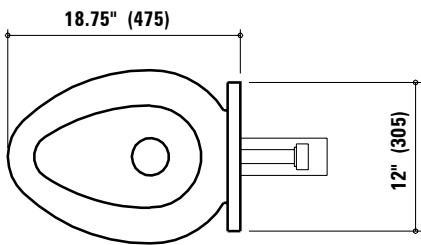
- A720 Chase Mounted Recessed Toilet Paper Holder.
- A721 Front Mounted Recessed Toilet Paper Holder.
- A722 Ligature Resistant Front Mounted Recessed Toilet Paper Holder.

TOILET FIXTURE - 4105

Item: _____

NOTES:

1. Optional -FV Flush Valve
- Wall Supply Connection. (Concealed)



Due to continuous product improvement Metcraft reserves the right to make changes in design and specifications without prior notice. All dimensions should be verified with the factory for current information.

* See ADA Option

| | | |
|---------------------------------------|------------------|-------------|
| APPROVED FOR MANUFACTURING | Company: _____ | Name: _____ |
| | Signature: _____ | Date: _____ |