

## TOILET FIXTURE - 4110 & 4115

Item: \_\_\_\_\_



Unit may be pictured with some optional features.



**WARNING:** Cancer and Reproductive Harm  
- www.P65Warnings.ca.gov.

### 1.6 gpf (6.0 Lpf) Fixtures - 3" waste connection

- 4110** Back supply connection 1 1/2" (38mm) FIPT.
- 4115** Top supply connection 1 1/2" (38mm) MIPT.

### 1.28 gpf (4.8 Lpf) Fixtures - 2-3/8" waste connection

- HET4110** Back supply connection 1 1/2" (38mm) FIPT.
- HET4115** Top supply connection 1 1/2" (38mm) MIPT.

## STANDARD FEATURES

- **Chase mounted fixture, wall outlet waste.**
- **Toilet Bowl-**
  - Elongated.
  - High polished integral seat.
  - Self draining flushing rim.
  - Blowout flushing action.
  - Fully enclosed trap.
- **Hardware-**
  - Plated steel concealed anchor rods and fasteners.

## ► DESCRIPTION

This Toilet Fixture is designed for high abuse areas with an accessible pipe chase. The fixture is fabricated using heavy gauge type 304 stainless steel, seamlessly welded to form a vandal resistant unit. Internal piping is stainless steel. Exposed surfaces are polished to a satin finish, except for the integral seat which is polished to a bright finish.

## ► PERFORMANCE STANDARDS

Metcraft's standard toilet is a 1.6 gpf (6.0 Lpf) fixture with a 3" (76mm) waste outlet. Metcraft offers a "High Efficiency Toilet" (HET) 1.28 gpf (4.8 Lpf) with a 2 3/8" (60mm) waste outlet as an option. Metcraft bowls and assemblies are designed to withstand 5000 lb. (22kN) loading without permanent deflection and damage. This fixture meets or exceeds ASME A112.19.3 / CSA B45.4 standards for "Stainless Steel Plumbing Fixtures". The trap will pass a 2 1/8" (54mm) dia. ball. A minimum 1" (25mm) supply providing 35psi (241kPa) flushing pressure is required.

## ► INSTALLATION

An accessible pipe chase is required. Six anchor rods screw into sockets on back of the fixture. Anchor rods pass through the wall and are secured with washers and hex nuts on the chase side of the wall. No exposed fasteners are used. The installer must provide wall openings for anchor rods and piping per rough-in drawing provided by Metcraft..





NOTE: A security frame (wall sleeve) is recommended when installed on a new block (CMU) or poured concrete wall. A security frame is not appropriate for hollow wall construction.

### Water Consumption:

With a low consumption flush valve - 1.6 gpf (6 liters)

With a HET consumption flush valve - 1.28 gpf (4.8 liters)

### RECOMMENDED FLUSH VALVES

	SLOAN	ZURN	DELANY
Concealed low consumption	611-1.6	Z6611-1.6	F540-1.6
Concealed HET	611-1.28	Z6611-1.28	-
Exposed low consumption	111	Z6606-1.6	F439-1.6
Exposed HET	111-1.28	Z6606-1.28	-
 Concealed low consumption	9603-1.6	ZH6152-WS1-MBFW	1234-1.5
 Concealed HET	9603-1.28	ZH6152AV-1.28-MBFW	-
 Exposed low consumption	111	Z6000-1.6	439
 Exposed HET	111-1.28	Z6000-HET-1.28	-

Listed by



### WALL THICKNESS AND TYPE (Must Specify)

Thickness: \_\_\_\_\_ Type:  Concrete  Block  Steel

### TOILET WASTE

- PE Plain end waste - 4" off fixture (Standard).
- PL Plain end waste - 3" into chase.
- GW Gasket waste outlet.

### PRODUCT OPTIONS

- AFH Hydraulic Anti-Flood Valve. Not available on 4115 & HET4115.
- MS High Polished Seat (Standard).
- HS Hinged Seat
- HO Punched for hinged seat (By Others).
- PCC Powder Coat - Anti-microbial White.
- ADA ADA Mounting height - 18" Integral Seat Height.  
\* Dimensions raised 3" for ADA

### OPTIONAL ACCESSORIES

- A120 Security Frame (Wall Sleeve/Can).
- A168 Metal Template for Wall Openings.
- TSC Toilet Shipping Cover

#### No-Hub Connectors for 1.6gpf Units

- A210-3 3" s/s to 3" CI No-hub Connector.
- A210-1 3" s/s to 4" CI No-hub Connector.

#### No-Hub Connectors for 1.28gpf Units

- A210-9 2-3/8" s/s to 3" CI No-hub Connector.
- A210-8 2-3/8" s/s to 4" CI No-hub Connector.
- A215-3 3" No-hub Test Tee.
- A215-4 4" No-hub Test Tee.
- A216-3 Pinned Cleanout Plug 3"
- A216-4 Pinned Cleanout Plug 4"
- A247 Flush valve thru wall connector.
- A611 Flush Valve access Panel. (Available on 4110).
- A615 Flush Valve Cover. (Available on 4115).

#### Wall Mounted Toilet Paper Holders

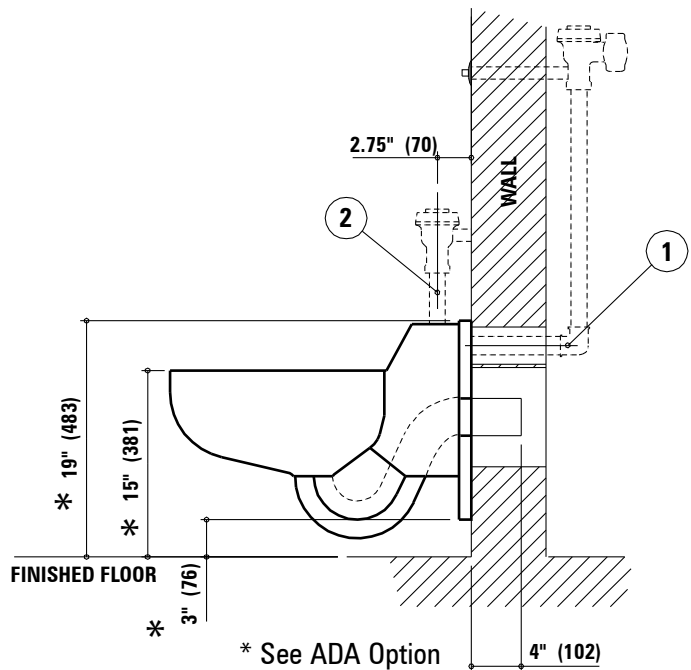
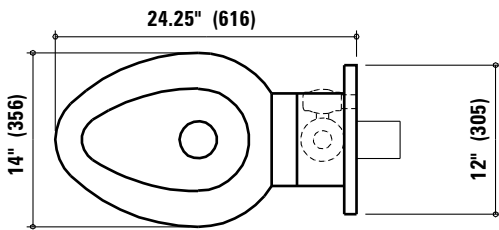
- A720 Chase Mounted Recessed Toilet Paper Holder.
- A721 Front Mounted Recessed Toilet Paper Holder.
- A722 Ligature Resistant Front Mounted Recessed Toilet Paper Holder.

## TOILET FIXTURE - 4110 & 4115

Item: \_\_\_\_\_

### NOTES:

1. Optional -FV Flush Valve  
- Wall Supply Connection. (Concealed)
2. Optional -FV Flush Valve  
- Top Supply Connection. (Exposed)



Due to continuous product improvement Metcraft reserves the right to make changes in design and specifications without prior notice. All dimensions should be verified with the factory for current information.

<b>APPROVED FOR MANUFACTURING</b>	Company: _____	Name: _____
	Signature: _____	Date: _____