

WALL THICKNESS AND TYPE (Must Specify)

Thickness: _____ Type: Concrete Block Steel

TOILET WASTE

- PE Plain end waste - 4" off fixture (Standard).
- PL Plain end waste - 3" into chase.
- GW Gasket waste outlet.

PRODUCT OPTIONS

- AFH Hydraulic Anti-Flood Valve. Not available on 4135 & HET 4135.
- MS High Polished Seat (Standard).
- HS Hinged Seat
- HO Punched for hinged seat (By Others).
- PCC Powder Coat - Anti-microbial White.
- MA Ligature Resistant Skirt

OPTIONAL ACCESSORIES

- A120 Security Frame (Wall Sleeve/Can).
- A168 Metal Template for Wall Openings.
- TSC Toilet Shipping Cover

No-Hub Connectors for 1.6gpf Units

- A210-3 3" s/s to 3" CI No-hub Connector.
- A210-1 3" s/s to 4" CI No-hub Connector.

No-Hub Connectors for 1.28gpf Units

- A210-9 2-3/8" s/s to 3" CI No-hub Connector.
- A210-8 2-3/8" s/s to 4" CI No-hub Connector.

- A215-3 3" No-hub Test Tee.
- A215-4 4" No-hub Test Tee.
- A216-3 Pinned Cleanout Plug 3"
- A216-4 Pinned Cleanout Plug 4"
- A247 Flush valve thru wall connector.
- A611 Flush Valve access Panel. (Available on 4130).
- A615 Flush Valve Cover. (Available on 4135).

Wall Mounted Toilet Paper Holders

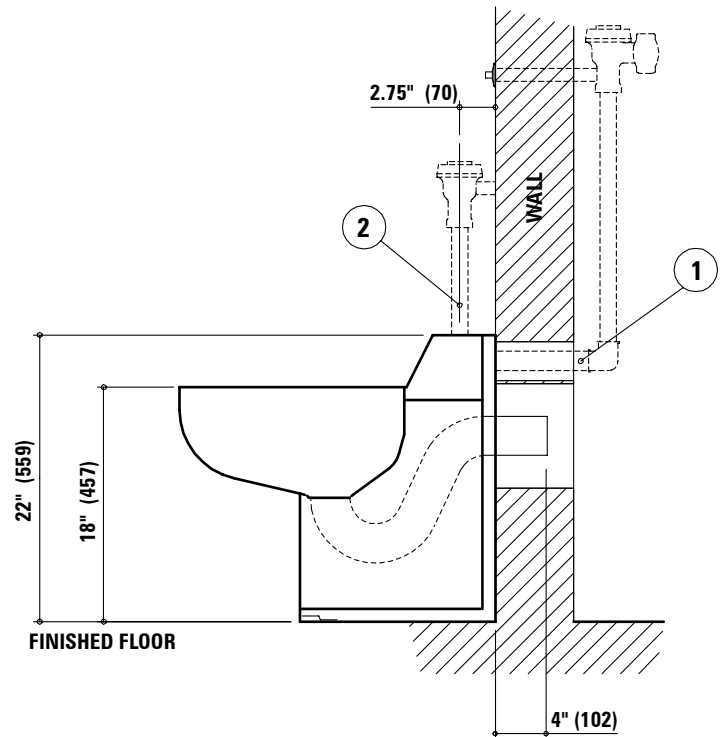
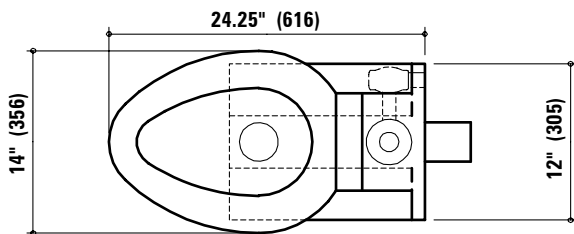
- A720 Chase Mounted Recessed Toilet Paper Holder.
- A721 Front Mounted Recessed Toilet Paper Holder.
- A722 Ligature Resistant Front Mounted Recessed Toilet Paper Holder.

TOILET FIXTURE - 4130 & 4135

Item: _____

NOTES:

1. Optional -FV Flush Valve
- Wall Supply Connection. (Concealed)
2. Optional -FV Flush Valve
- Top Supply Connection. (Exposed)



Due to continuous product improvement Metcraft reserves the right to make changes in design and specifications without prior notice. All dimensions should be verified with the factory for current information.

APPROVED FOR MANUFACTURING	Company: _____ Name: _____
	Signature: _____ Date: _____