

TOILET FIXTURE - 4150 & 4155

Item: _____



Unit may be pictured with some optional features.



WARNING: Cancer and Reproductive Harm
- www.P65Warnings.ca.gov.

1.6 gpf (6.0 Lpf) Fixtures - 3" waste connection

- 4150 Back supply connection 1¹/₂" (38mm) FIPT.
- 4155 Top supply connection 1¹/₂" (38mm) MIPT.

1.28 gpf (4.8 Lpf) Fixtures - 2-3/8" waste connection

- HET4150 Back supply connection 1¹/₂" (38mm) FIPT.
- HET4155 Top supply connection 1¹/₂" (38mm) MIPT.

STANDARD FEATURES

- Chase mounted fixture, floor outlet waste.
- Toilet Bowl-
 - Elongated.
 - High polished integral seat.
 - Self draining flushing rim.
 - Siphon jet type trap.
 - Fully enclosed trap.
- Hardware-
 - Plated steel concealed anchor rods and fasteners.

► DESCRIPTION

This Toilet Fixture is designed for high abuse areas with an accessible pipe chase. The fixture is fabricated using heavy gauge type 304 stainless steel, seamlessly welded to form a vandal resistant unit. Internal piping is stainless steel. Exposed surfaces are polished to a satin finish, except for the integral seat which is polished to a bright finish.

► PERFORMANCE STANDARDS

Metcraft's standard toilet is a 1.6 gpf (6.0 lpf) fixture with a 3" (76mm) waste outlet. Metcraft offers a "High Efficiency Toilet" (HET) 1.28 gpf (4.8 lpf) with a 2 3/8" (60mm) waste outlet as an option. Metcraft bowls and assemblies are designed to withstand 5000 lb. (22kN) loading without permanent deflection and damage. This fixture meets or exceeds ASME A112.19.3 / CSA B45.4 standards for "Stainless Steel Plumbing Fixtures". The trap will pass a 2 1/8" (54mm) dia. ball. A minimum 1" (25mm) supply providing 35psi (241kPa) flushing pressure is required.

► INSTALLATION

An accessible pipe chase is required. Toilet must first be set in place and sealed to closet flange. Four anchor rods screw into sockets on back of the fixture. Anchor rods are secured with washers and hex nuts on the chase side of the wall. Floor anchors consist of two 3/8" (10mm) threaded steel studs and vandal resistant cap nuts to secure unit to floor. Gasket flange is also supplied with two 3/8" (10mm) dia. mounting holes 6" (152mm) on center for mounting to waste flange. The installer must provide wall openings for anchor rods and piping per rough-in drawings provided by Metcraft. Fixture meets A.D.A. requirements when installed per A.D.A. guidelines

NOTE: A security frame (wall sleeve) is recommended when installed on a new block (CMU) or poured concrete wall. A security frame is not appropriate for hollow wall construction.

Water Consumption:

With a low consumption flush valve - 1.6 gpf (6 liters)

With a HET consumption flush valve - 1.28 gpf (4.8 liters)

RECOMMENDED FLUSH VALVES

	SLOAN	ZURN	DELANY
Concealed low consumption	952-1.6-MBFW	ZH6152-WS1-MBFW	1234-1.6
Concealed HET consumption	952-1.28-MBFW	ZH6152-WS1-MBFW-1.28	
Exposed low consumption	111	Z6000-1.6	439-1.6
Exposed HET consumption	111-1.28	Z6000-1.28	

Listed by



WALL THICKNESS AND TYPE (Must Specify)

Thickness: _____ Type: Concrete Block Steel

TOILET WASTE

GW Gasket waste outlet (Standard).

PRODUCT OPTIONS

- AFH** Hydraulic Anti-Flood Valve. Not available on 4155 & HET4155.
- MS** High Polished Seat (Standard).
- HS** Hinged Seat
- HO** Punched for hinged seat (By Others).
- PCC** Powder Coat - Anti-microbial White.
- MA** Ligature Resistant Skirt

OPTIONAL ACCESSORIES

- A120** Security Frame (Wall Sleeve/Can).
- A168** Metal Template for Wall Openings.
- A247** Flush valve thru wall connector.
- A611** Flush Valve access Panel. (Available on 4150).
- A615** Flush Valve Cover. (Available on 4155).
- TSC** Toilet Shipping Cover

Wall Mounted Toilet Paper Holders

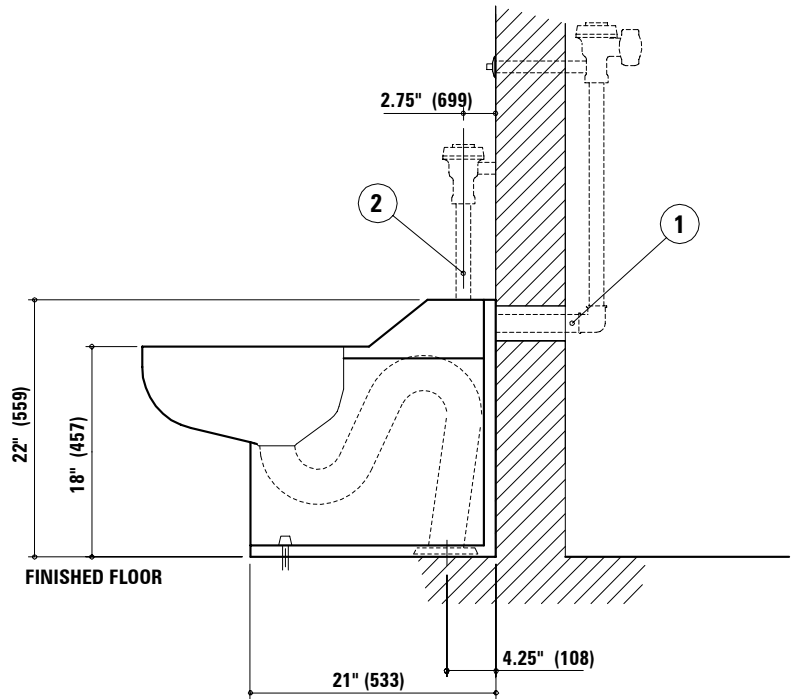
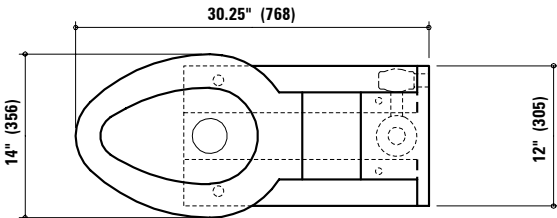
- A720** Chase Mounted Recessed Toilet Paper Holder.
- A721** Front Mounted Recessed Toilet Paper Holder.
- A722** Ligature Resistant Front Mounted Recessed Toilet Paper Holder.

TOILET FIXTURE - 4150 & 4155

Item: _____

NOTES:

1. Optional -FV Flush Valve
- Wall Supply Connection. (Concealed)
2. Optional -FV Flush Valve
- Top Supply Connection. (Exposed)



Due to continuous product improvement Metcraft reserves the right to make changes in design and specifications without prior notice. All dimensions should be verified with the factory for current information.

APPROVED FOR MANUFACTURING	Company: _____	Name: _____
	Signature: _____	Date: _____