



model **5054LF**
Drinking Faucet

FEATURES & BENEFITS

VALVE

Polished chrome-plated, lead-free brass, lever handle self-closing valve features automatic pressure compensation stream control.

QUALITY

Bubbler is pre-built and fully water and pressure tested to ensure no leaks and proper function for reduced installation time and added peace of mind.

BUBBLER HEAD

Polished chrome-plated brass bubbler head is equipped with a shielded, anti-squirt orifice that provides a steady sanitary source of water.



OPTIONS

For more information, visit www.hawsc.com or call (888) 640-4297.

SPECIFICATIONS

Model 5054LF sink or deck mounted bubbler valve shall include a polished chrome-plated brass lever handle operated self-closing valve with vandal-resistant locking pins, shielded anti-squirt vandal resistant polished chrome-plated brass bubbler head, self-regulating flow control assembly, and 1/2" O.D. (1.3 cm) slip-joint inlet.

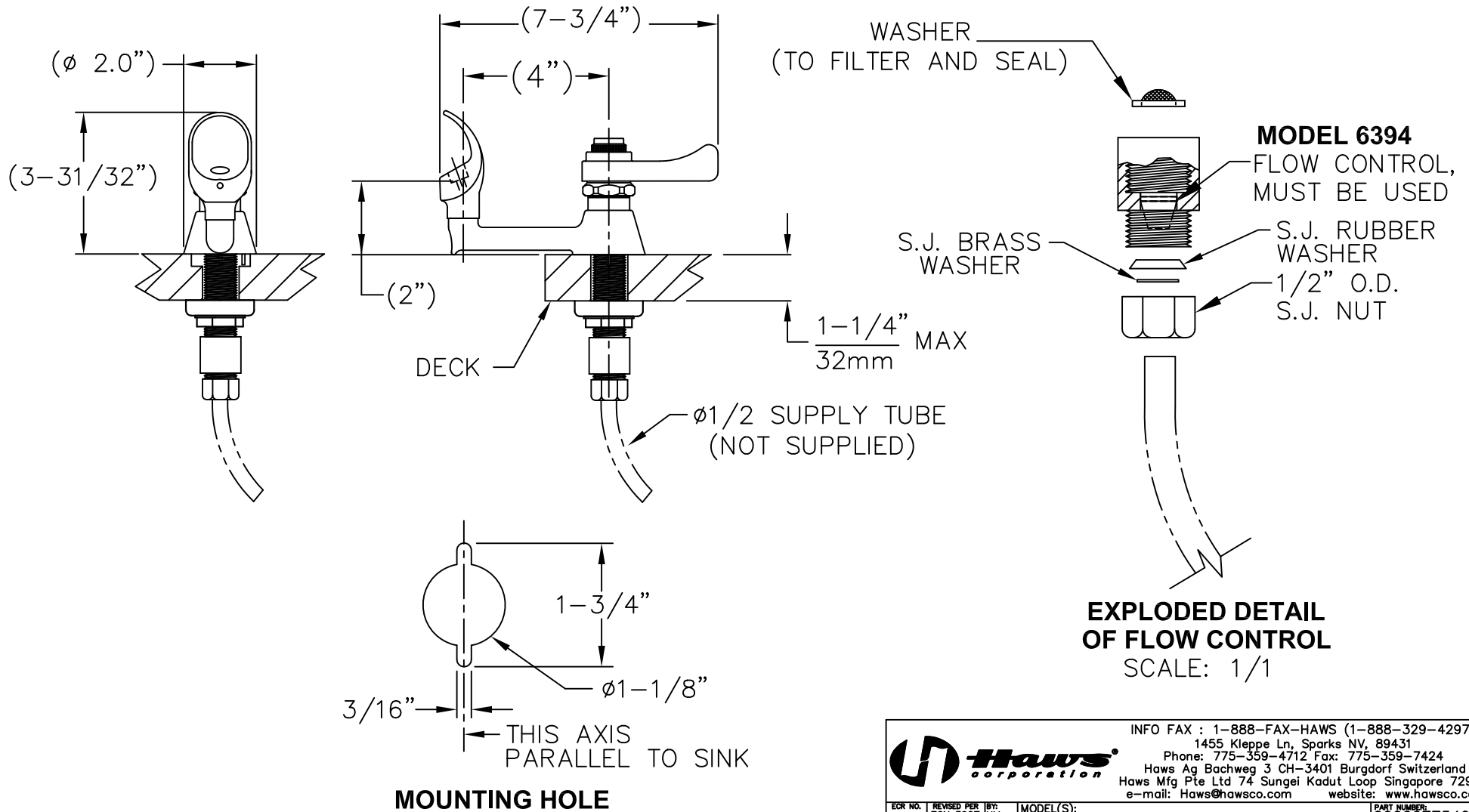
APPLICATIONS

Perfect for either public or private indoor settings, the 5054LF is a great fit in areas where a countertop is in close proximity to a sink/bowl. Specifically, this type of deck mounted drinking faucet may be placed in settings such as: schools, classrooms, laboratories, and other facilities where the need for a deck mounted sink/faucet is present. Haws manufactures drinking fountains and electric water coolers to be lead-free by all known definitions including NSF/ANSI Standard 61, Section 9, NSF/ANSI 372, California Proposition 65, and the Federal Safe Drinking Water Act.



NOTES:

1. BE SURE INDEXING PINS ARE INSTALLED AND ORIENTED TO ACCOMODATE YOUR DESIRED MOUNTING
2. THE HANDLE/STEM REPAIR KIT FOR THIS MODEL IS: 5830HST.
3. THE VALVE REPAIR KIT FOR THIS MODEL IS: 5800VRKT.



INFO FAX : 1-888-FAX-HAWS (1-888-329-4297)
1455 Kleppe Ln, Sparks NV, 89431
Phone: 775-359-4712 Fax: 775-359-7424
Haws Ag Bachweg 3 CH-3401 Burgdorf Switzerland
Haws Mfg Pte Ltd 74 Sungei Kadut Loop Singapore 729531
e-mail: Haws@hawsco.com website: www.hawsco.com

Haws Corporation

ECR NO.	REVISED PER	BY:	MODEL(S):	PART NUMBER:
	ECN: 3907	HM	5054LF	000207540
DRAWN:	DATE:	CHK'D:	INFO FAX DOC #:	DRAWING NUMBER:
K.H.	09/98		2505453	12607A00
APPROVED:	DATE:	SCALE:	DRAWING TYPE:	SIZE: A
		1:4	INSTALLATION/FAXBACK	SHT. 1 OF 1