

WALL THICKNESS AND TYPE (Must Specify)

Thickness: _____ Type: Concrete Block Steel

SPOUTS

- B1 Penal filler/bubbler.
- B1H Suicide Resistant filler/bubbler.
- B2 Filler/bubbler with mouthguard.
- B3H Suicide Resistant filler.

HAND BASINS

- OB Oval Basin

LAVATORY WASTE

- EPE Elbow Waste Plain End 4" past back of fixture. (Standard)
- EPL Elbow Waste Plain End through the wall 3" into chase.
- ET2 Elbow Waste.
- PPE P-Trap Plain End.
- PPL P-Trap Plain End through the walls.
- PT2 P-Trap.

LAVATORY WASTE EXTENSIONS

- A235 Trap Assembly.
- A240 Waste Extension 1-1/2"

OPTIONAL ACCESSORIES

- A120 Security Frame (Wall Sleeve/Can).
- A168 Metal Template for Wall Openings.
- HT Towel Hook.
- TB Toothbrush Holder.
- OF Overflow Vent.
- PCC Powder Coat - Anti-microbial White.

LAVATORY WASTE ADAPTER COUPLINGS

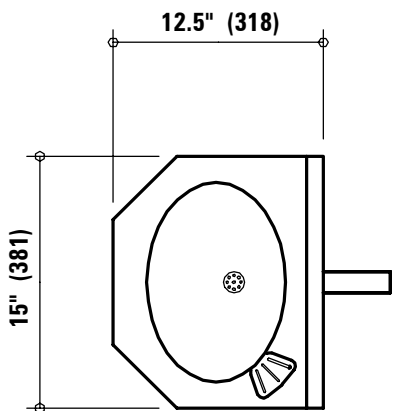
- A205-1 Lavatory waste coupling 1-1/4" (32mm) s/s to 1-1/2" (38mm) COPPER
- A205-2 Lavatory waste coupling 1-1/4" (32mm) s/s to 1-1/2" (38mm) PL/STL
- A205-3 Lavatory waste coupling 1-1/4" (32mm) s/s to 2" (51mm) CI

PNEUMATIC VALVE ASSEMBLIES (0.5 GPM Flow Valves)

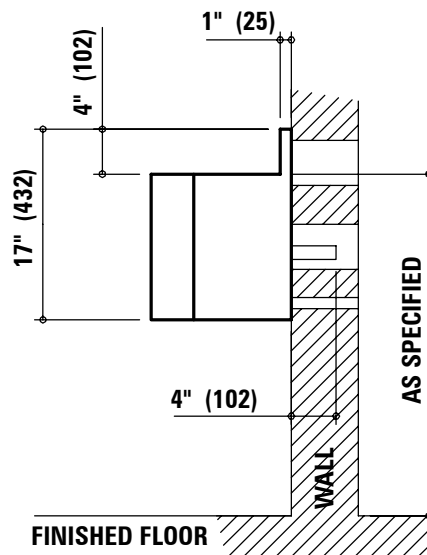
- A311 Single Temperature, Single Fixture Valve.
- A312 Dual Temperature, Single Fixture Valve.
- A313 Single Temperature, Manifold Fixture Valve.
- A314 Dual Temperature, Manifold Fixture Valve.

LAVATORY - 5115

Item: _____



Due to continuous product improvement Metcraft reserves the right to make changes in design and specifications without prior notice. All dimensions should be verified with the factory for current information.



APPROVED FOR MANUFACTURING	Company: _____	Name: _____
	Signature: _____	Date: _____