

LAVATORY FIXTURE - 5118

Item: _____



Unit may be pictured with some optional features.

□ 5118 High Abuse Lavatory

STANDARD FEATURES

- Chase mounted fixture, wall outlet waste.
- Lavatory basin-
 - Oval lavatory basin
 - Multi-hole integral drain.
 - Stainless steel elbow waste with 1 1/4" (32mm) OD plain end extended 4" (102mm) past back of fixture.
- 4" (102mm) high back splash.
- Integral soap tray with ribbed bottom.
- Integrally welded bottom enclosure.
- Hardware-
 - Plated steel concealed anchor rods and fasteners.



WARNING: Cancer and Reproductive Harm
- www.P65Warnings.ca.gov.

► DESCRIPTION

This Lavatory Fixture is designed for areas with an accessible pipe chase. The fixture is fabricated using heavy gauge type 304 stainless steel, welded to form a vandal resistant unit. Internal piping is stainless steel. Lavatory is designed with a 4" (102mm) high back splash and integral ribbed soap tray. Exposed surfaces are polished to a satin finish. Valves and valve outlets must be specified separately.

► PERFORMANCE STANDARDS

This fixture meets or exceeds ASME A112.19.3 / CSA B45.4 standards for "Stainless Steel Plumbing Fixtures".

Listed by

**► INSTALLATION**

An accessible pipe chase is required. Four anchor rods are screwed into sockets on back of the fixture. Anchor rods pass through the wall and are secured from the pipe chase using washers and hex nuts provided. The installer must provide wall openings for anchor rods, piping and valve operators per rough-in drawings provided by Metcraft. Valves should be installed in the pipe chase.

NOTE: A security frame (wall sleeve) is recommended when installed on a new block (CMU) or poured concrete wall. A security frame is not appropriate for hollow wall construction.

WALL THICKNESS AND TYPE (Must Specify)

Thickness: _____ Type: Concrete Block Steel

SPOUTS

- B1 Penal filler/bubbler.
- B1H Suicide Resistant filler/bubbler.
- B2 Filler/bubbler with mouthguard.
- B3H Suicide Resistant filler.

HAND BASINS

- OB Oval Basin (Standard)
- RB Rectangular Basin

LAVATORY WASTE

- EPE Elbow Waste Plain End 4" past back of fixture. (Standard)
- EPL Elbow Waste Plain End through the wall 3" into chase.
- ET2 Elbow Waste.
- PPE P-Trap Plain End.
- PPL P-Trap Plain End through the walls.
- PT2 P-Trap.

LAVATORY WASTE EXTENSIONS

- A235 Trap Assembly.
- A240 Waste Extension 1-1/2"

OPTIONAL ACCESSORIES

- A120 Security Frame (Wall Sleeve/Can).
- A168 Metal Template for Wall Openings.
- HT Towel Hook.
- TB Toothbrush Holder.
- OF Overflow Vent.
- PCC Powder Coat - Anti-microbial White.

LAVATORY WASTE ADAPTER COUPLINGS

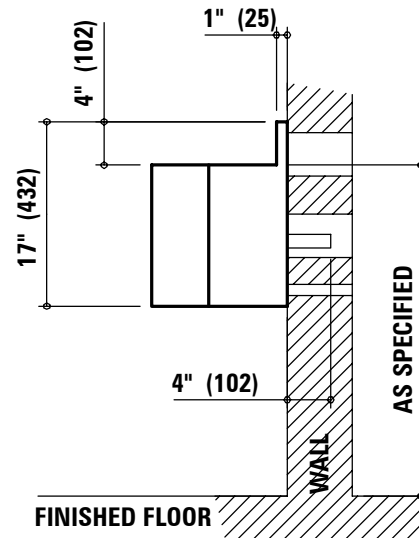
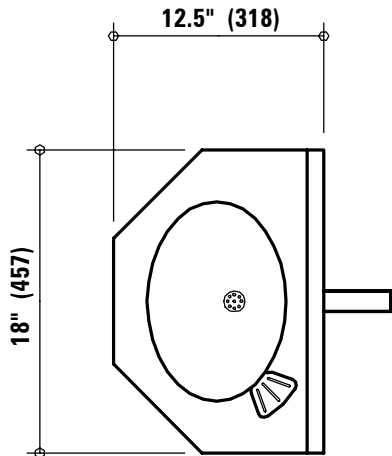
- A205-1 Lavatory waste coupling 1-1/4" (32mm) s/s to 1-1/2" (38mm) COPPER
- A205-2 Lavatory waste coupling 1-1/4" (32mm) s/s to 1-1/2" (38mm) PL/STL
- A205-3 Lavatory waste coupling 1-1/4" (32mm) s/s to 2" (51mm) CI

PNEUMATIC VALVE ASSEMBLIES (0.5 GPM Flow Valves)

- A311 Single Temperature, Single Fixture Valve.
- A312 Dual Temperature, Single Fixture Valve.
- A313 Single Temperature, Manifold Fixture Valve.
- A314 Dual Temperature, Manifold Fixture Valve.

LAVATORY FIXTURE - 5118

Item: _____



Due to continuous product improvement Metcraft reserves the right to make changes in design and specifications without prior notice. All dimensions should be verified with the factory for current information.

APPROVED FOR MANUFACTURING	Company: _____	Name: _____
	Signature: _____	Date: _____