



model 5800VRKT

Valve Repair Kit

FEATURES & BENEFITS

OPTIONS

For more information, visit www.hawasco.com or call (888) 640-4297.



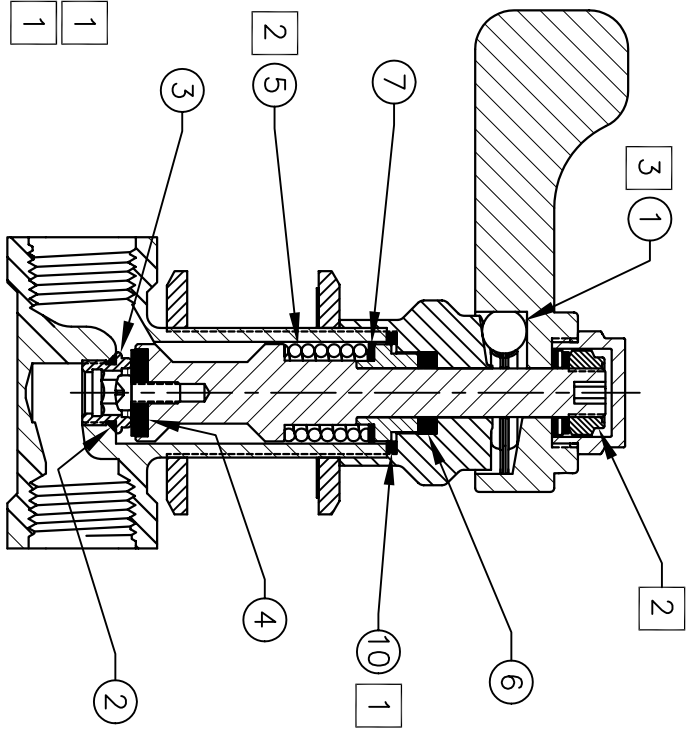
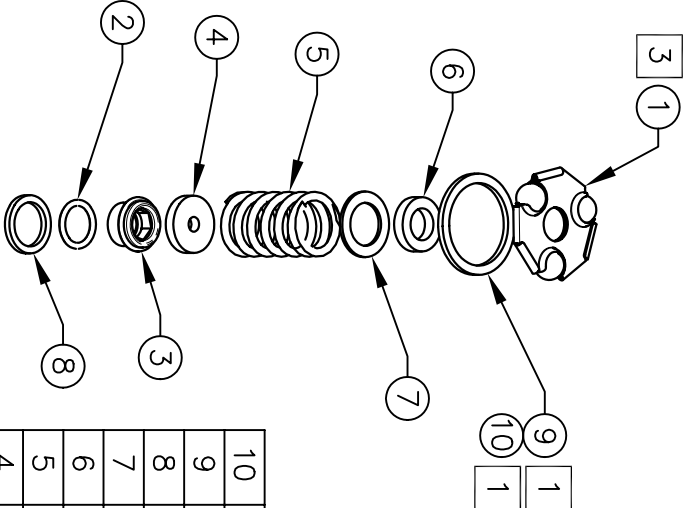
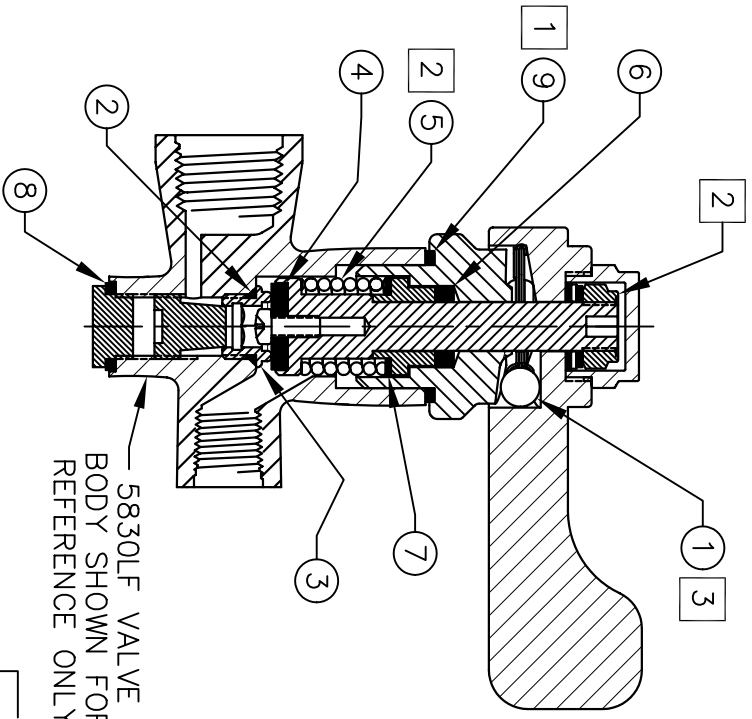
SPECIFICATIONS

Model 5800VRKT valve repair kit contains a bearing set, gland packing, spring washer, spring, renew seat, seat washer, seat o-ring, bonnet washers and bottom cap washer. Model 5800VRKT is used on models 5830LF, 5051LF, 5054LF, 5057LF, 5060LF, 5851LF, 6250LF, 6252EHLF and the 5452LF. Used on models made in 2005 and newer.

APPLICATIONS

NOTES:

- 1 MODEL 5851LF, USES WASHER ITEM 10. ALL OTHER MODELS LISTED, USE WASHER ITEM 9.
- 2 WHEN RE-ASSEMBLING VALVE TIGHTEN DOWN ON (EXISTING) 3/8"-24 LOCK NUT UNTIL ACHIEVING A SLIGHT PLAY ON HANDLE. CAUTION: DO NOT OVER-TIGHTEN NUT. VALVE WILL LEAK.
- 3 LUBRICATE WITH GREASE BEFORE ASSEMBLY.
4. 5800VRKT CONSIST OF ITEMS 1 THRU 10 (ONLY). ALL OTHER COMPONENTS SHOWN (i.e. HANDLE, BODY, BONNET etc.) ARE FOR REFERENCE ONLY.



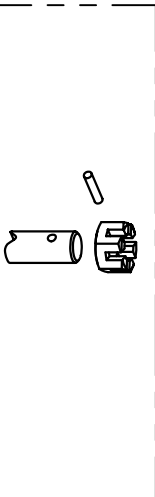
FOR MODEL:

5851LF

10	0006621020	WASHER, .923 X .751 X .075
9	0006634184	WASHER, 1.165 X .951 X .073
8	0006863494	WASHER, BTM CAP 5830
7	0006634380	WASHER, .75 X .494 X .04
6	0002582902	GLAND PACKING
5	0005425392	SPRING, .73 X 1.25 X 2.50mm
4	0006634576	WASHER, .660 X .170 X .125
3	0005208682	SEAT, 5830HST
2	0003981050	O-RING, .426 X .070 WALL
1	0000192993	BEARING SET
ITEM	PART NO.	PART NUMBER

FOR MODELS:

- 5830LF 5057LF 6252EHLF
- 5051LF 5060LF 5452LF
- 5054LF 6250LF 5054EG



IF YOUR VALVE USES A CASTLE NUT WITH LOCK PIN TO SECURE THE HANDLE YOU MUST ORDER REPAIR KIT MODEL NO. 5800VRKR

Haws Corporation
 1455 Kleppe Ln, Sparks NV, 89431
 Phone: 775-359-4712 Fax: 775-359-7424
 Haws Ag Bachweg 3 CH-3401 Burgdorf Switzerland
 Haws Mig Pte Ltd 74 Sungei Kadut Loop Singapore 729531
 e-mail: Haws@hawsco.com website: www.hawsco.com

MODEL(S): 5800VRKT VALVE REPAIR KIT
 INFO FAX DOC # 25800855
 SCALE: N/A DRAWING TYPE: INSTALLATION/FAKBACK

REV. 1
 DRAWING NUMBER: 15226A00
 SHEET: 1 OF 1