



Location:

TempControl®



7-102 Thermostatic Mixing Valve Specification Submittal

<p>Specification</p> <p>TempControl thermostatic mixing valve made from lead free** metal components. Features serviceable integral check stops (see table 1 for flow rates).</p> <p>Temperature control range: 70°F - 150°F (21.1°C - 65.6°C)</p> <p>Approach temperature: 5°F (-15°C)</p> <p><small>**According to US Senate bill S.3874, the term "lead free" is defined as follows: "not more than a weighted average of 0.25 percent lead when used with respect to the wetted surfaces of pipes, pipe fittings, plumbing fittings, and fixtures"</small></p>	<p>Modifications</p> <ul style="list-style-type: none"> <input type="checkbox"/> -NI Rough nickel finish <input type="checkbox"/> -P Polished chrome highlight finish <input type="checkbox"/> -W Wall mounting bracket <p>Note: Append appropriate -suffix to model number.</p> <hr/> <p>Coordinating Model Numbers</p> <ul style="list-style-type: none"> <input type="checkbox"/> SV-102 Solenoid valve <input type="checkbox"/> TF-102 Tee fitting <input type="checkbox"/> WHA-1 Water hammer arrestor
<p>Compliance</p> <p>-ASME A112.18.3/CSA B125.3-12 -ASSE 1017 -NSF/ANSI 61.9, NSF/ANSI 372</p>	<p>Warranty</p> <p>Limited Lifetime - to the original end purchaser in consumer/residential installations. 5 Years - for industrial/commercial installations. Refer to www.symmons.com/warranty for complete warranty information.</p>

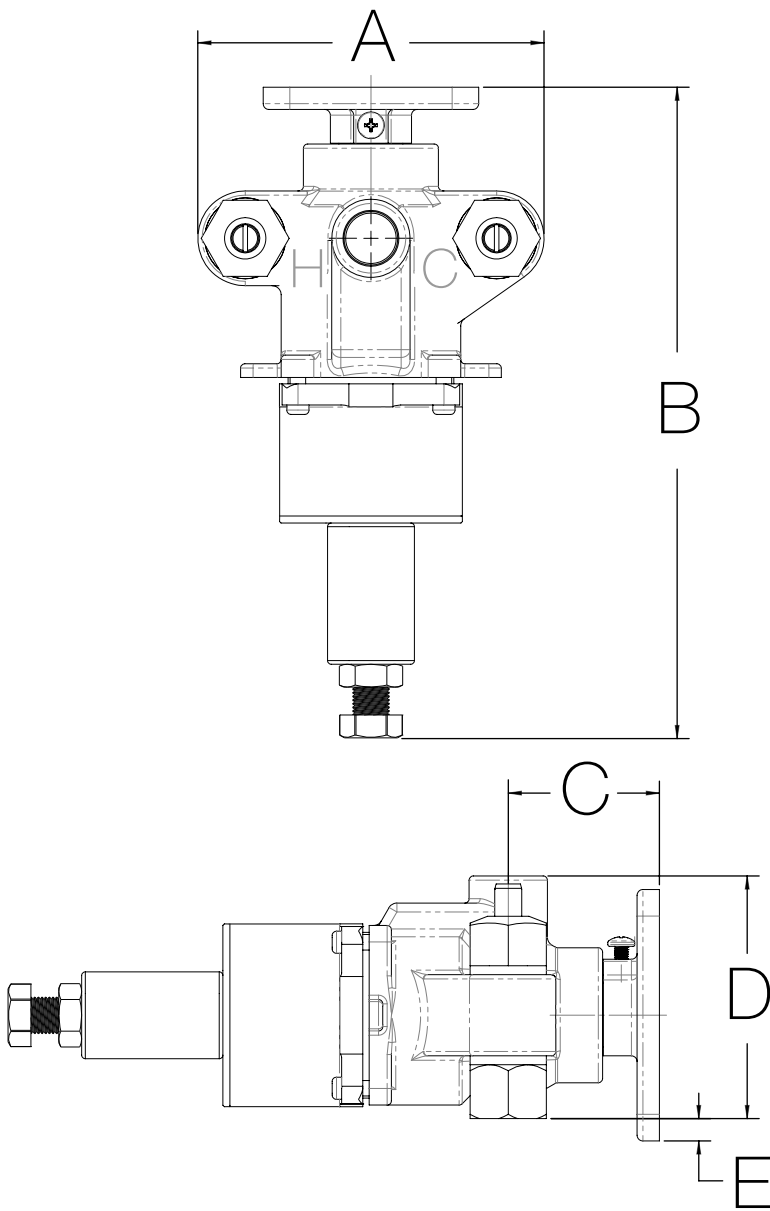


Flow Rate Chart

TABLE 1: FLOW RATE - gpm (L/min)								
VALVE MODEL	MIN. FLOW RATE*	MIN. FLOW RATE	PRESSURE DIFFERENTIAL - psi (kPa)					
			5 psi (34 kPa)	10 psi (69 kPa)	20 psi (138 kPa)	25 psi (172 kPa)	30 psi (207 kPa)	45 psi (310 kPa)
7-102	0.5 gpm (1.9 L/min)	0.5 gpm (1.9 L/min)	1 gpm (4 L/min)	3 gpm (11 L/min)	6 gpm (23 L/min)	7 gpm (27 L/min)	8 gpm (30 L/min)	11 gpm (42 L/min)

*Minimum flow rate when valve is installed at or near the hot water source with recirculated tempered water and continuously operating circulating pump.

Dimensions



TempControl Valve Sizes		
Model No.	Inlet	Outlet
7-102	1/2"	1/2"
Measurements		
A	4-13/16", 122 mm	
B	9-1/4", 235 mm	
C	2-1/8", 53 mm	
D	3-3/8", 86 mm	
E	5/16", 8 mm	

Note: Dimensions subject to change without notice.