

WALL THICKNESS AND TYPE (Must Specify)

Thickness: _____ Type: Concrete Block Steel

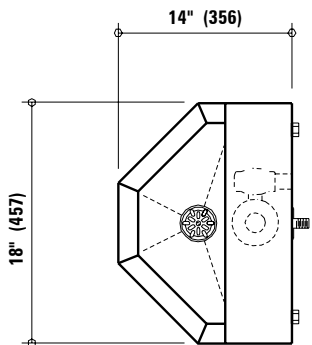
OPTIONS/ACCESSORIES

- A120** Security Frame (Wall Sleeve/Can).
- A168** Metal Template for Wall Openings.
- PCC** Powder Coat - Anti-microbial White.
- A245** Flush valve thru wall connector $\frac{3}{4}$ " MIPT.
- A610** Flush Valve Access Panel. Not available on 7125.
- A615** Flush Valve Cover. Not available on 7120.
- ADA** ADA Mounting height - 17" Rim Height.

* Dimensions lowered 5" for ADA

URINAL FIXTURE - 7120 & 7125

Item: _____

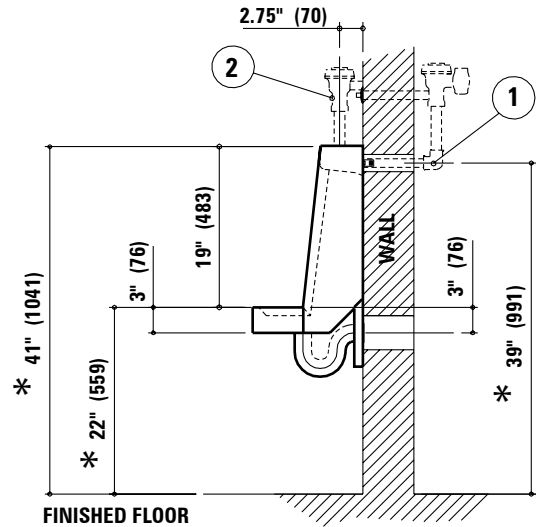


Notes:

1 - Back Supply (7120)

2 - Top Supply (7125)

* See ADA Option



Due to continuous product improvement Metcraft reserves the right to make changes in design and specifications without prior notice. All dimensions should be verified with the factory for current information.

APPROVED FOR MANUFACTURING	Company: _____	Name: _____
	Signature: _____	Date: _____