

URINAL FIXTURE - 7130 & 7135

Item: _____



Unit may be pictured with some optional features.

- 7130** Back supply connection 3/4" (19mm) MIPT.
- 7135** Top supply connection 3/4" (19mm) MIPT.

STANDARD FEATURES

- Chase mounted fixture, Wall outlet waste, Washdown urinal
- High volume beehive style strainer.
- 1 1/2" (38mm) OD P-trap for slip-joint connection.
- Vandal resistant stainless steel trap enclosure.
- **Hardware-**
 - Plated steel concealed anchor rods and fasteners.



WARNING: Cancer and Reproductive Harm
- www.P65Warnings.ca.gov.

► DESCRIPTION

This Urinal Fixture is designed for areas with an accessible pipe chase. The fixtures are fabricated using heavy gauge type 304 stainless steel, welded to form a vandal resistant unit. Flushing provides a sanitary washdown of the interior. Exposed surfaces are polished to a satin finish. Fixtures come with a beehive type strainer, P-trap and vandal resistant stainless steel trap enclosure.

► PERFORMANCE STANDARDS

This fixture meets or exceeds ASME A112.19.3 / CSA B45.4 standards for "Stainless Steel Plumbing Fixtures".



► INSTALLATION

An accessible pipe chase is required for installation. Four anchor rods screw into sockets on back of the fixture. Anchor rods pass through the wall and are secured with washers and hex nuts on the chase side. Installer must provide wall openings for anchor rods and piping per rough-in drawings provided by Metcraft.

NOTE: A security frame (wall sleeve) is recommended when installed on a new block (CMU) or poured concrete wall. A security frame is not appropriate for hollow wall construction.

Water Consumption:
With HEU consumption flush valve - .5 gpf (1.9 liters)

RECOMMENDED FLUSH VALVES

	SLOAN	ZURN	DELANY
Concealed	613	Z6613	F576
Exposed	186	Z6614	F575
 Concealed	995-MBFW	ZH6195-MBFW	1271
 Exposed	186	Z6003	451

Listed by



WALL THICKNESS AND TYPE (Must Specify)

Thickness: _____ Type: Concrete Block Steel

OPTIONS/ACCESSORIES

- A120 Security Frame (Wall Sleeve/Can).
- A168 Metal Template for Wall Openings.
- PCC Powder Coat - Anti-microbial White.
- A245 Flush valve thru wall connector $\frac{3}{4}$ " MIPT.
- A610 Flush Valve Access Panel. Not available on 7135.
- A615 Flush Valve Cover. Not available on 7130.
- ADA ADA Mounting height - 17" Rim Height.

* Dimensions lowered 5" for ADA.

URINAL FIXTURE - 7130 & 7135

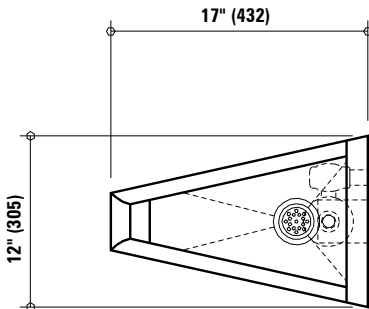
Item: _____

Notes:

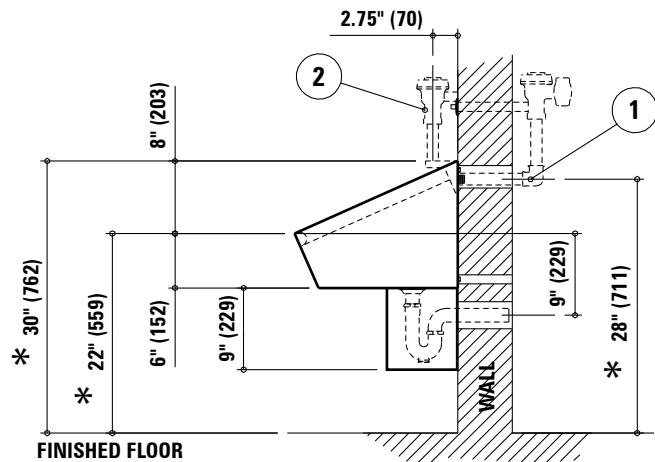
1 - Back Supply (7130)

2 - Top Supply (7135)

* See ADA Option



Due to continuous product improvement Metcraft reserves the right to make changes in design and specifications without prior notice. All dimensions should be verified with the factory for current information.



APPROVED FOR MANUFACTURING	Company: _____	Name: _____
	Signature: _____	Date: _____